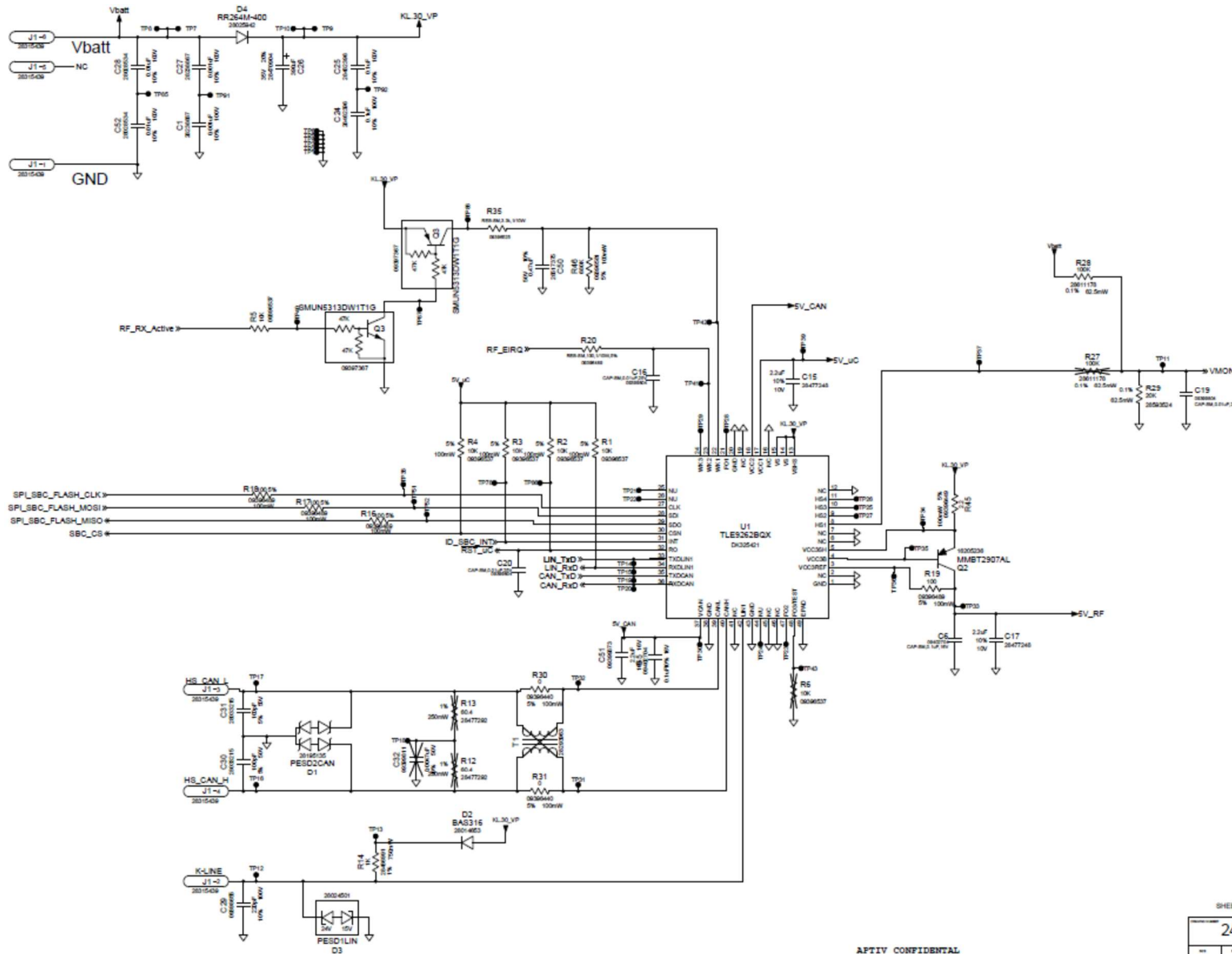




Title:	Schematics		
RF – type designation:	ST2-RX434UDA		
Kind of equipment:	434 MHz Receiver for TPMS and RKE		
Platform:	FI90RF		
Variant:	B1 – 434MHz RKE RX – 434MHz TPMS RX		
Classification:	Customer Confidential		
Author:	Xi Lin	Date:	2021-JUL-15



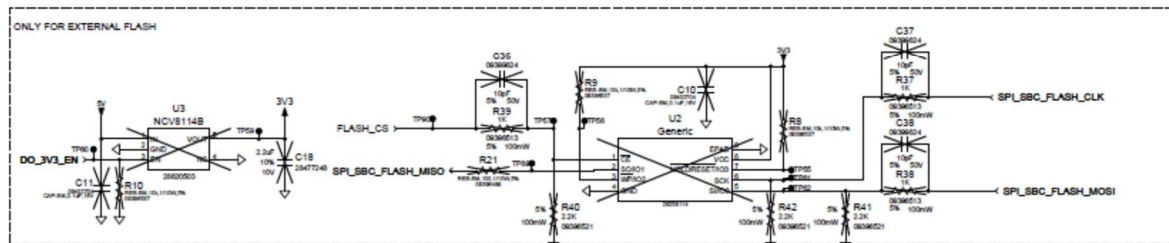
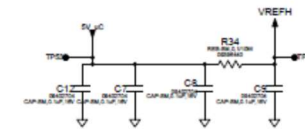
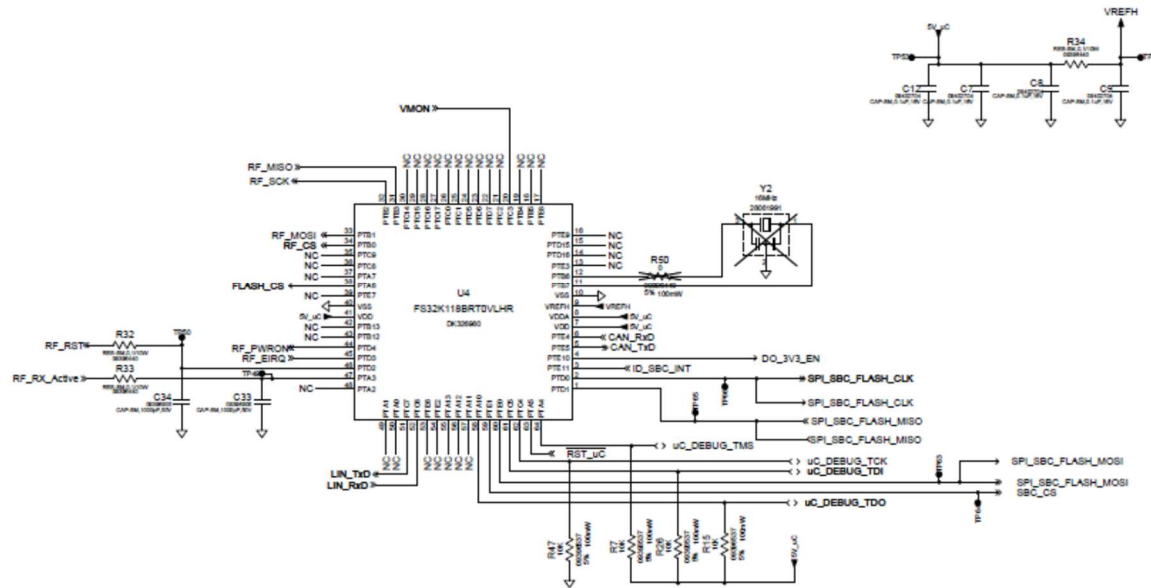
APTIV
Advanced Safety and User Experience
Troy, MI



SHEET ONE (1) MUST BE SUPPLIED

24156312	
REV	REV
A1	NA
2 OF 4	
REV	REV
A	A

APTIV CONFIDENTIAL

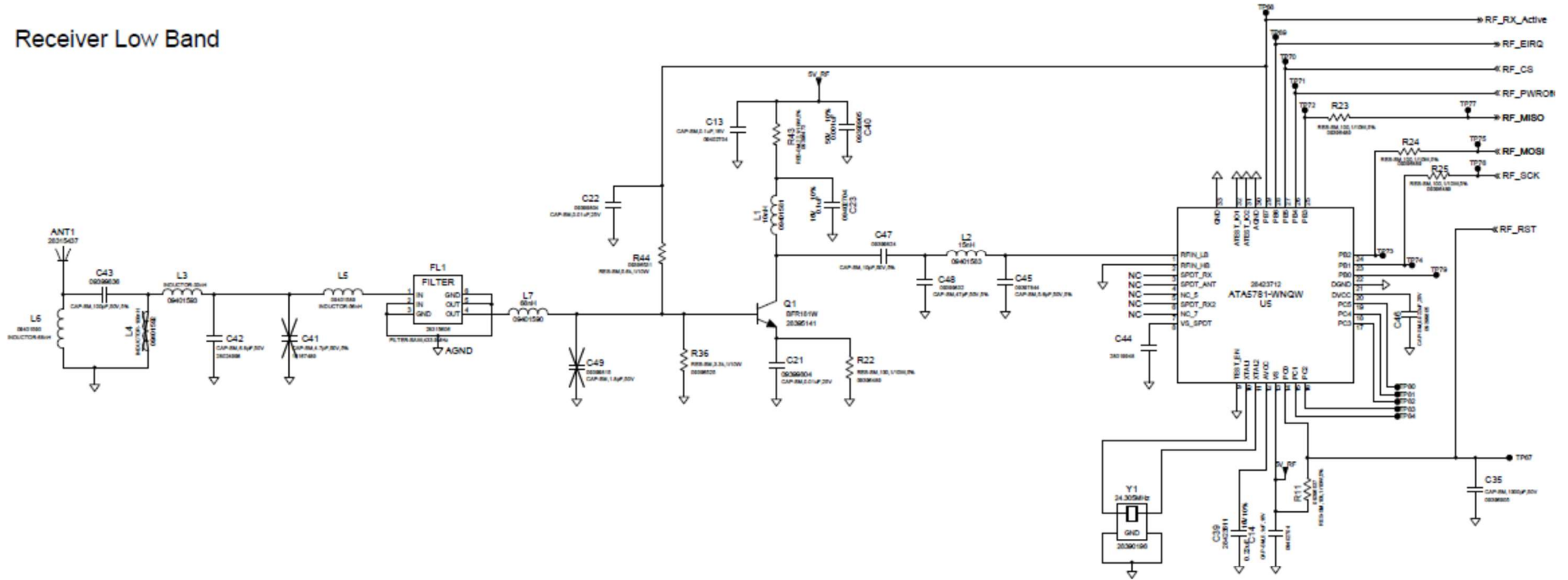


SHEET ONE (1) MUST BE SUPPLIED
24156312

REV	DATE	ISSUED	NO. OF	BY
A1	NA		3 OF 4	A

APTIV CONFIDENTIAL

Receiver Low Band



SHEET ONE (1) MUST BE SUPPLIED

24156312					
REV	DATE	ISSUED	BY	APP'D	CHK'D
A1	NA			CP-4	A

APTIV CONFIDENTIAL



APTIV
Advanced Safety and User Experience
Troy, MI