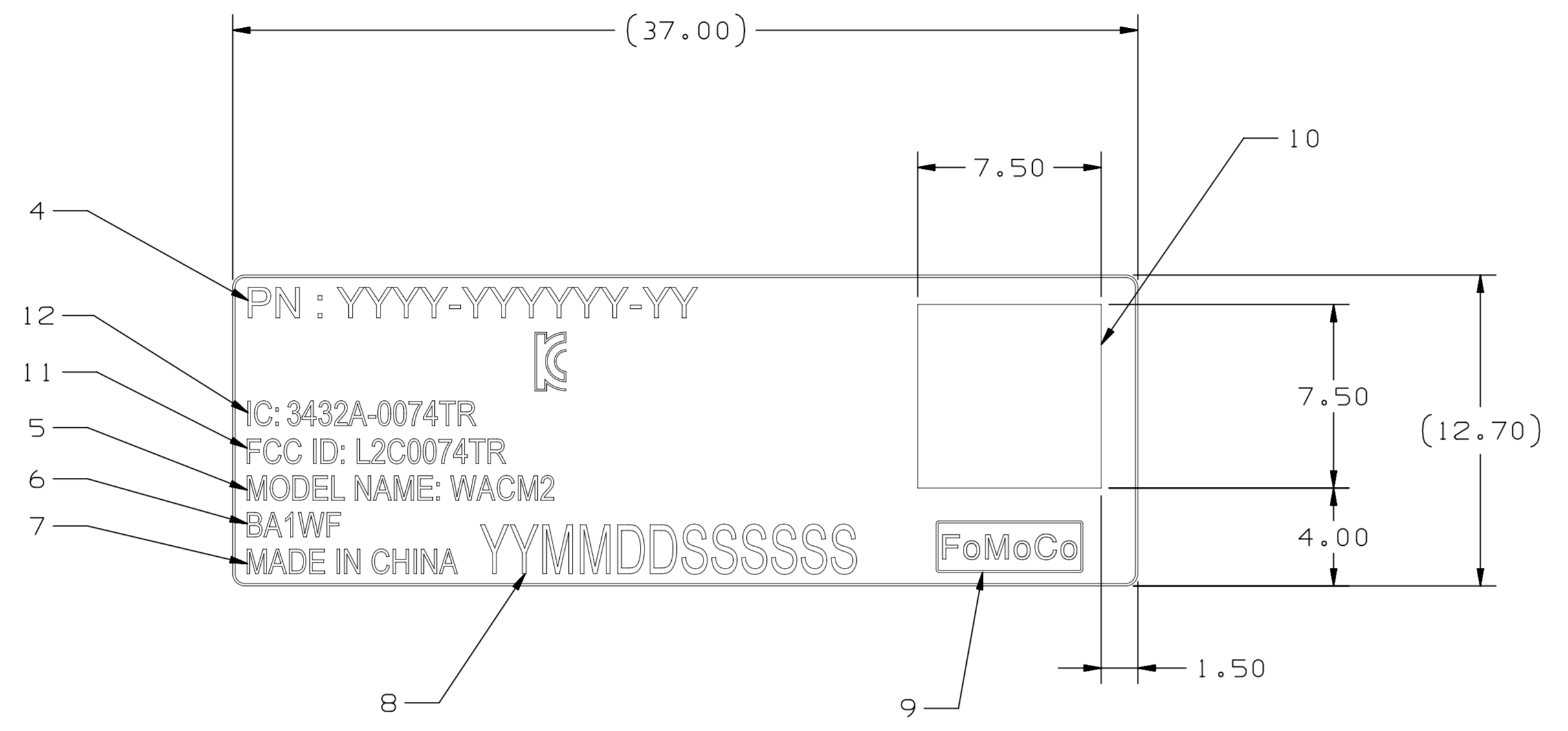


DWG STATUS					REVISION HISTORY				AUTH	DR	APVD1	APVD2
DATE	STG	REV	N/P	CHG	ZONE							
25JUL17		1						RELEASE FOR PROTOTYPE	001979	BC	JM	MC
05OCT17		2						RELEASED FOR DV	002046	BC	JM	MC

NOTES:

- 1.) MATERIAL: 3M PERFORMANCE LABEL MATERIAL
THERMAL TRANSFER POLYESTER 7868 OR EQUIVALENT, COLOR WHITE.
- 2.) FOR 12.7 X 37 BLANK LABEL SEE PN 33254208 ON DRAWING 33369597.
- 3.) LABEL LETTERING AND ANY SYMBOLS TO BE SOLID BLACK.
- 4.) CUSTOMER PART NUMBER SECTION: (PN: YYYY-YYYYYY-YY)
VALUE: PN: FOLLOWED BY 14 CHARACTER PART NUMBER DEFINED ON PRODUCT FINAL ASSEMBLY PRINT.
FONT: ARIAL NARROW FONT (CAPITALIZED WHERE APPLICABLE).
HEIGHT: 1.25 MM.
LOCATION: AS SHOWN ON PRINT.
- 5.) MODEL NAME SECTION:
VALUE: □WACM□
FONT: ARIAL NARROW FONT (CAPITALIZED WHERE APPLICABLE).
HEIGHT: 1.00 MM.
LOCATION: AS SHOWN ON PRINT.
- 6.) FORD SUPPLIER SHIP SITE GSDB CODE SECTION:
VALUE: SUPPLIER SHIP SITE GSDB CODE: BA1WF.
FONT: ARIAL NARROW FONT (CAPITALIZED WHERE APPLICABLE).
HEIGHT: 1.00 MM.
LOCATION: AS SHOWN ON PRINT.
- 7.) COUNTRY OF MANUFACTURE SECTION:
VALUE: □MADE IN CHINA□
FONT: ARIAL NARROW FONT (CAPITALIZED WHERE APPLICABLE).
HEIGHT: 1.00 MM.
LOCATION: AS SHOWN ON PRINT.
- 8.) SERIAL NUMBER SECTION: (YYMMDDSSSSSS)
VALUE: VARIABLE DATA AS FOLLOWS.
YY = LAST 2 DIGITS OF CALENDAR YEAR.
MM = 2 DIGIT MONTH NUMBER OF CALENDAR YEAR.
DD = 2 DIGIT DAY NUMBER OF MONTH.
SSSSSS: 6 DIGIT SEQUENTIAL SERIALIZED NUMBER COUNTER.
FONT: ARIAL NARROW FONT (CAPITALIZED WHERE APPLICABLE).
HEIGHT: 2.00 MM.
LOCATION: AS SHOWN ON PRINT.
- 9.) FoMoCo SECTION:
VALUE: "FoMoCo"
FONT: AS SHOWN.
HEIGHT: FORD FECD5 STANDARD 6 (2.1).
LOCATION: AS SHOWN ON PRINT.
- 10.) 2D DATA MATRIX SECTION:
VALUE OF DATA INCLUDED IN THIS SEQUENTIAL ORDER:
a). CUSTOMER PART NUMBER "YYYY-YYYYYY-YY" DEFINED ON PRODUCT FINAL ASSEMBLY PRINT.
b). DELPHI FINAL ASSEMBLY PART NUMBER DEFINED ON PRODUCT FINAL ASSEMBLY PRINT.
c). XX - 2 DIGIT REVISION NUMBER OF DELPHI FINAL ASSEMBLY.
d). SERIAL NUMBER (YYMMDDSSSSSS) AS DEFINED IN SERIAL NUMBER SECTION OF THESE NOTES.
FORMAT: 2D DATA MATRIX ACCORDING TO ECC200 STANDARD AND FORD PER VOME EP BARCODE SPEC V4 2011-03-30.
- 11.) FCC ID SECTION:
VALUE: □FCC ID: L2C0074TR□
FONT: ARIAL NARROW FONT (CAPITALIZED WHERE APPLICABLE).
HEIGHT: 1.00 MM.
LOCATION: AS SHOWN ON PRINT.
- 12.) IC ID SECTION:
VALUE: □IC ID: 3432A-0074TR□
FONT: ARIAL NARROW FONT (CAPITALIZED WHERE APPLICABLE).
HEIGHT: 1.00 MM.
LOCATION: AS SHOWN ON PRINT.



ADVANCED PRINT FOR REFERENCE ONLY

UNLESS OTHERWISE SPECIFIED
THIS DOCUMENT IS IN ACCORDANCE WITH ASME Y14.5M-1994, SEE DELPHI ENGINEERING DESIGN STANDARD 86 FOR ISO 1101:2004 RECONCILIATION REQUIREMENTS.

ALL DIMENSIONS ARE IN MILLIMETERS
ZERO PLACE DECIMALS ± 0.3
ONE PLACE DECIMALS ± 0.3
TWO PLACE DECIMALS ± 0.34
THREE PLACE DECIMALS ± 0.34
ANGLES ± 1 DEGREE

REFERENCE
WEIGHT: 0.05g

THIRD ANGLE PROJECTION
DO NOT SCALE
USE MATH DATA
NX

DELPHI
DELPHI CORPORATION
COPYRIGHT 20XX DELPHI CORPORATION AND/OR ITS AFFILIATES. ALL RIGHTS RESERVED.

THIS DRAWING IS THE PROPERTY OF DELPHI CORPORATION AND CONTAINS DELPHI CONFIDENTIAL INFORMATION. THE REPRODUCTION, DISTRIBUTION AND UTILIZATION OF THIS DOCUMENT OR ITS RELATED CAD MATH DATA, AS WELL AS COMMUNICATION OF ANY CONTENT TO OTHERS, WITHOUT EXPRESS AUTHORIZATION, IS PROHIBITED.

	DATE
DR	B. CHAPMAN 19 JUL 17
APVD1	J. MECCA 19 JUL 17
APVD2	M. CHALUT 19 JUL 17
APVD3	
APVD4	
APVD5	

SUBSTANCES OF CONCERN AND RECYCLED CONTENT PER DELPHI 10949001

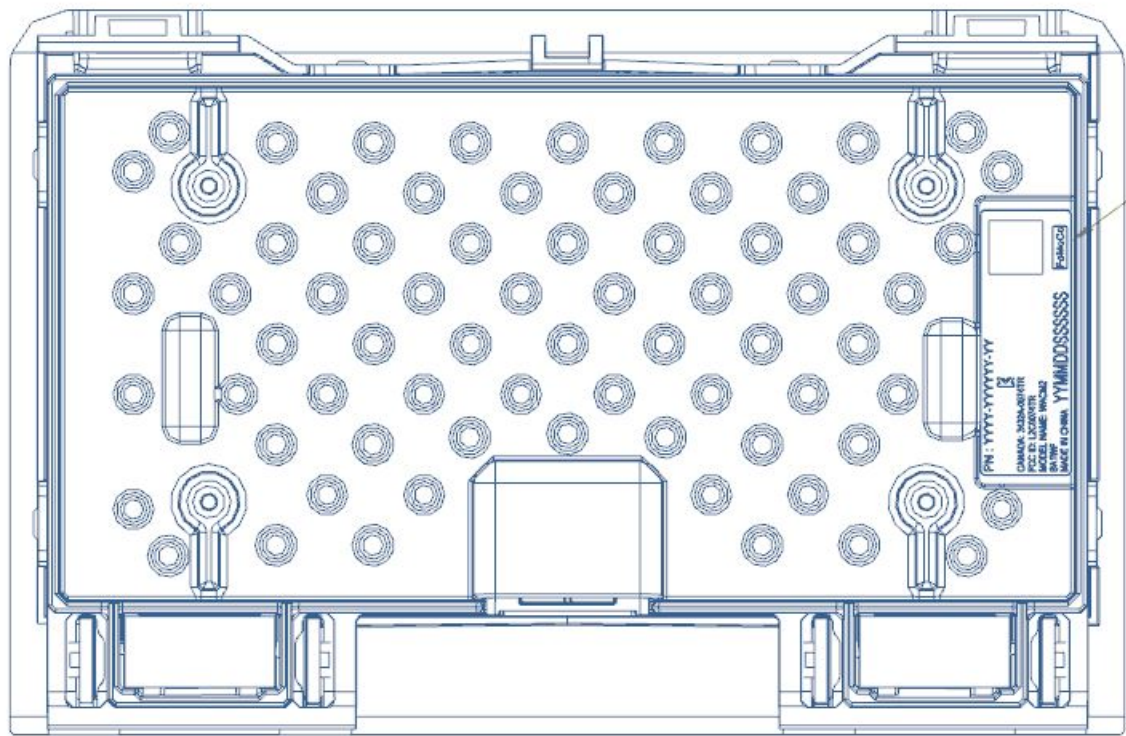
MATERIAL

SEE NOTES

DRAWING NAME
LABEL

DRAWING NUMBER
35086045

SIZE	SCALE	FRAME NO	SHEET NO	STG	REV	N/P
A1	(5:1)	1	1	1	OF 1	2



PLACE PRODUCT LABEL
IN THIS AREA AS SHOWN