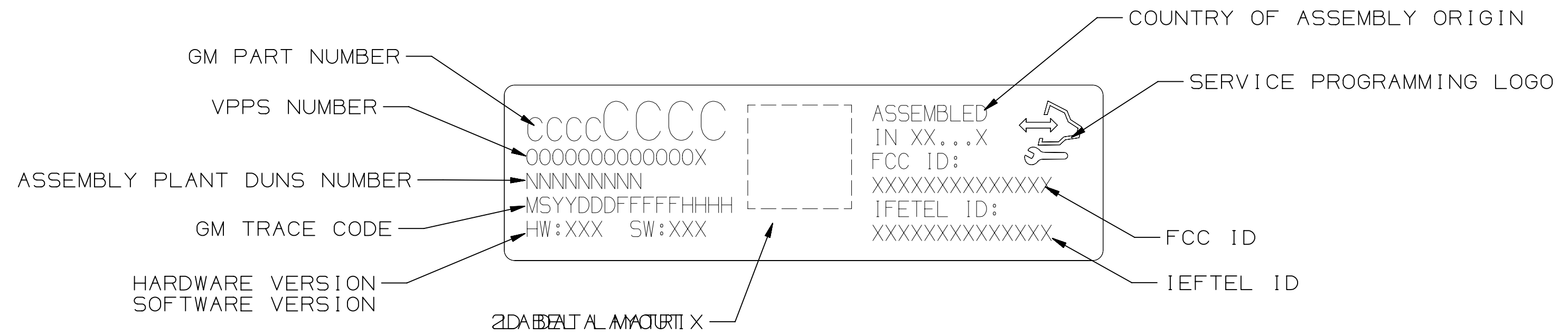
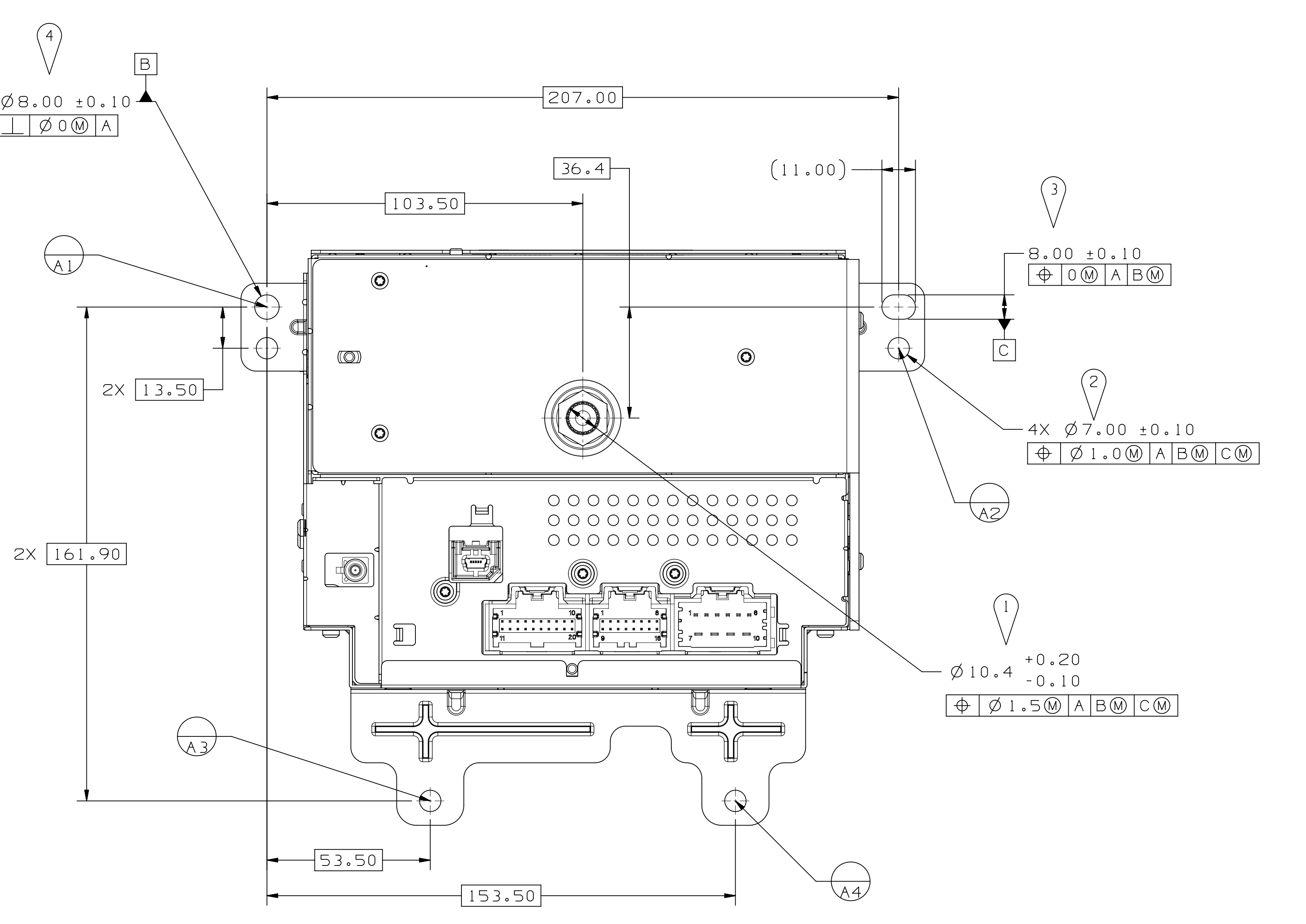
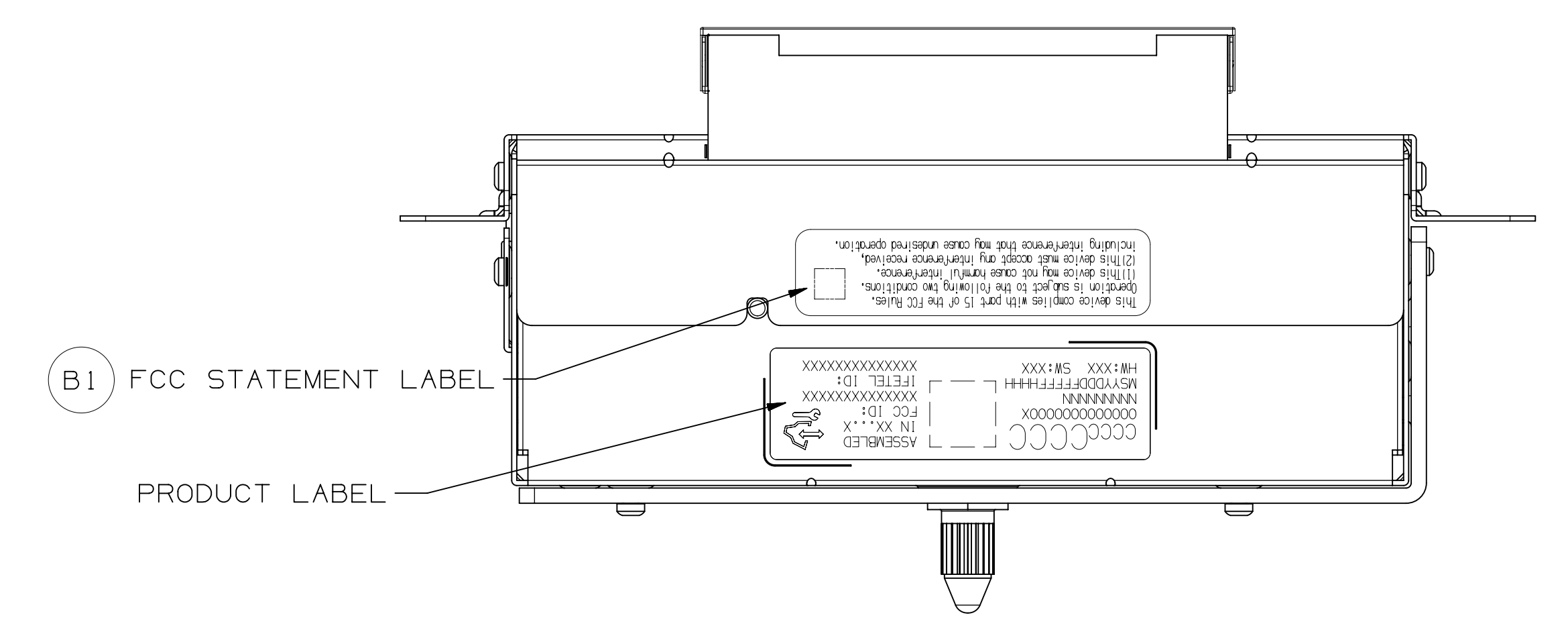
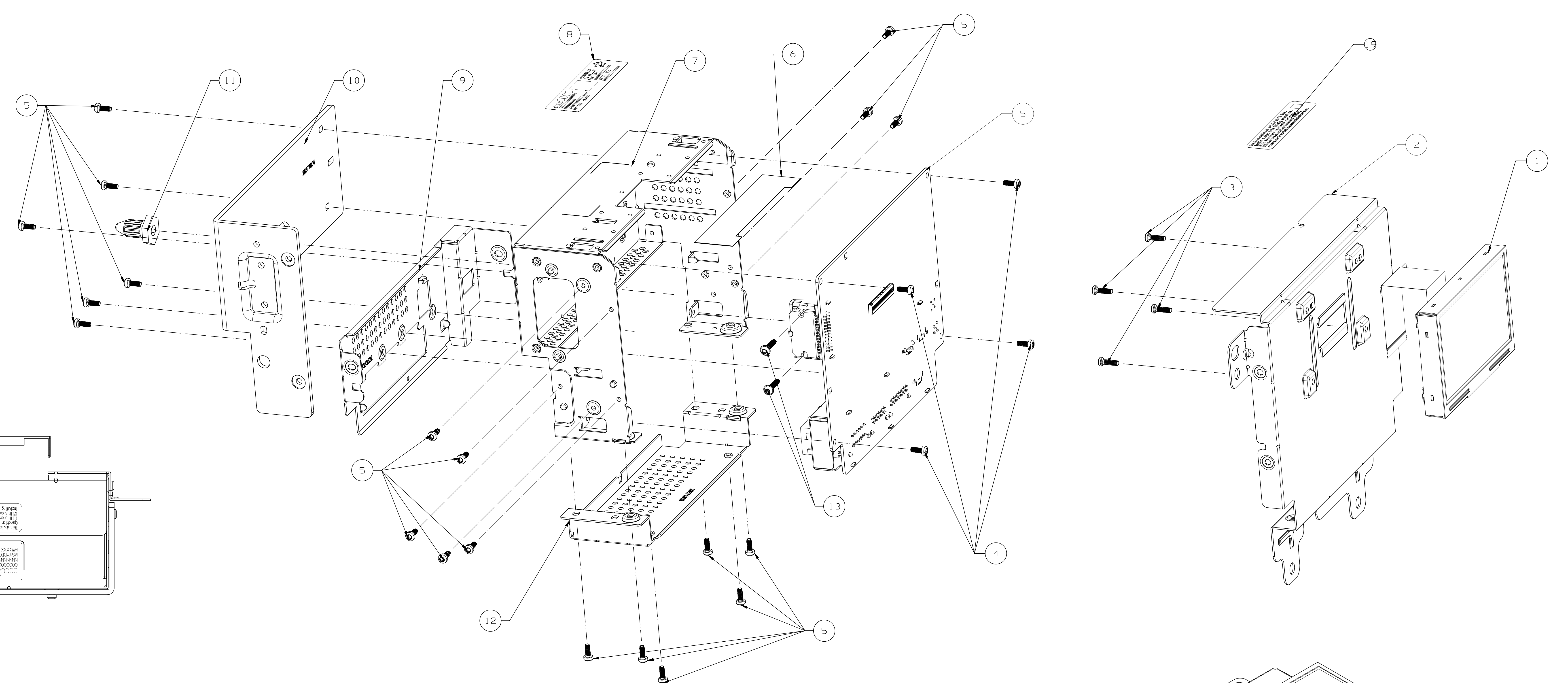


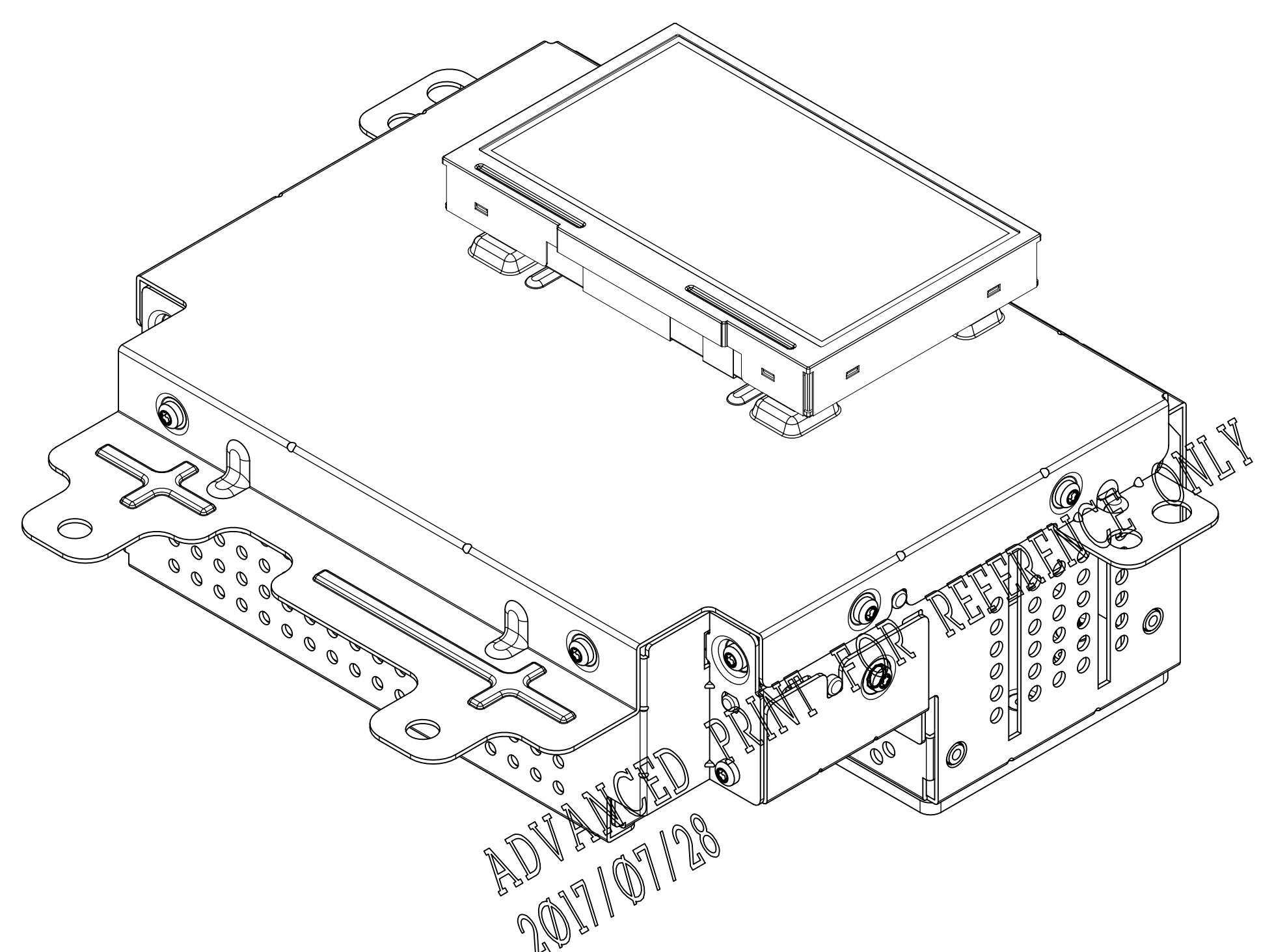
ITEM	PART NO.	DESCRIPTION	QTY
1	28362014	DISPLAY-ASM,TFT 4IN NB	1
2	28374134	FRONT PLATE, NGK 4.2INCH,SGM318NB	1
3	28120319	SCREW M3X10 TPH DPT	4
4	28239879	SCREW M3X0.5X8.0 TP PH TT	24
5	28603291	CIR BD ASM-CMP,MID	1
6	28383524	FILM COVER, SGM318	1
7	28371807	WRAPAROUND, NGK	1
8	28603712	LABEL S318 EXPORT	1
9	28383522	BACK PLATE, NGK MID	1
10	28371804	HEATSINK, NGK	1
11	10150393	BUSHING-RADIO MTG	1
12	28371803	BOTTOM COVER, NGK	1
13	28296508	SCREW M3X0.5X14MM TP RWH TT	2
14	24113987	OUTLINE,SGM NGK 4.2INCH,SGM318	DOC
15	MA009175006	MA-GREASE	1
16	ES24114327	PCB REQUIREMENT, NGK MB	DOC
17	ES24115910	CABLE ROUTING, NGK	DOC
18	ES24115911	SCREW TORQUE, NGK	DOC

DESIGNATED CHARACTERISTICS				OCI	KPC			
5	LAST NO USED	K OR Q IN SYMBOL INDICATES CHECKPOINT	FIT/FUNCTION	C1	FF			
1	4	TOTAL ON DRAWING						
KPC	OCI	NO	TYPE	DESCRIPTION	RATIONALE	ZONE	SH	PTS
		1	C1	CMI DIMENSION	CUSTOMER INTERFACE	C12		
		2	C1	CMI DIMENSION	CUSTOMER INTERFACE	D11		
		3	C1	CMI DIMENSION	CUSTOMER INTERFACE	E12		
		4	C1	CMI DIMENSION	CUSTOMER INTERFACE	F16		
		5	FF	SOFTWARE PN	VEHICLE TEST ITEM	A11		

DWG STATUS						REVISION HISTORY				AUTH	DR	APVD
DATE	STG	REV	N/P	CHK	ZONE	1	2	3	4	108063	HZ	JL
28.JN17		A								4121		
28.JL17		B			G16					108063	HZ	JL



LABEL INFORMATION	
DELPHI P/N	28603287
GM P/N	26245895
GM VPPS NO.	7310500000000X
ASSEMBLY PLANT DUNS NUMBER	544930977
HARDWARE REVISION	019
SOFTWARE REVISION	017
FCC ID	L2C0070TR
IEFTEL ID	RCPDE317-0775



UNLESS OTHERWISE SPECIFIED

THIS DOCUMENT IS IN ACCORDANCE WITH ASME Y14.5M-1994. SEE DELPHI ENGINEERING DESIGN STANDARD 86 FOR ISO 1101:2014 RECONCILIATION REQUIREMENTS.

ALL DIMENSIONS ARE IN MILLIMETERS

ZERO PLACE DECIMALS ±N/A

ONE PLACE DECIMALS ±N/A

TWO PLACE DECIMALS ±N/A

ANGLES ±N/A DEGREE

THIRD ANGLE PROJECTION

DO NOT SCALE

USE MATH DATA

DELPHI

COPYRIGHT 2017 DELPHI CORPORATION AND/OR ITS AFFILIATES. ALL RIGHTS RESERVED.

THIS DRAWING IS THE PROPERTY OF DELPHI CORPORATION AND CONTAINS DELPHI CONFIDENTIAL INFORMATION. THE REPRODUCTION, DISTRIBUTION AND UTILIZATION OF THIS DOCUMENT OR ITS RELATED DATA, AS WELL AS COMMUNICATION OF ANY CONTENT TO OTHERS, WITHOUT EXPRESS AUTHORIZATION, IS PROHIBITED.

DATE	DR	APVD
28.JN17	HELEN ZHANG	
28.JN17	JAGO ZHU	
28.JN17	OWEN ZHANG	
28.JN17	JACKY LU	
28.JN17	HAI BO YU	
28.JN17	ZHONGLONG XIONG	

MATERIAL

SEE ITEM LIST

DRAWING NUMBER

R00-NAV NGK,MID,4.2INCH, S318

28603287

SIZE A0 SCALE 1:1 FRAME NO 1 SHEET NO 1 OF 1

◇ DID C1 Software PN 26245894

FIRST USED
28603287
REFERENCE
N/A
REPLACES
28586504
REPLACED BY
N/A