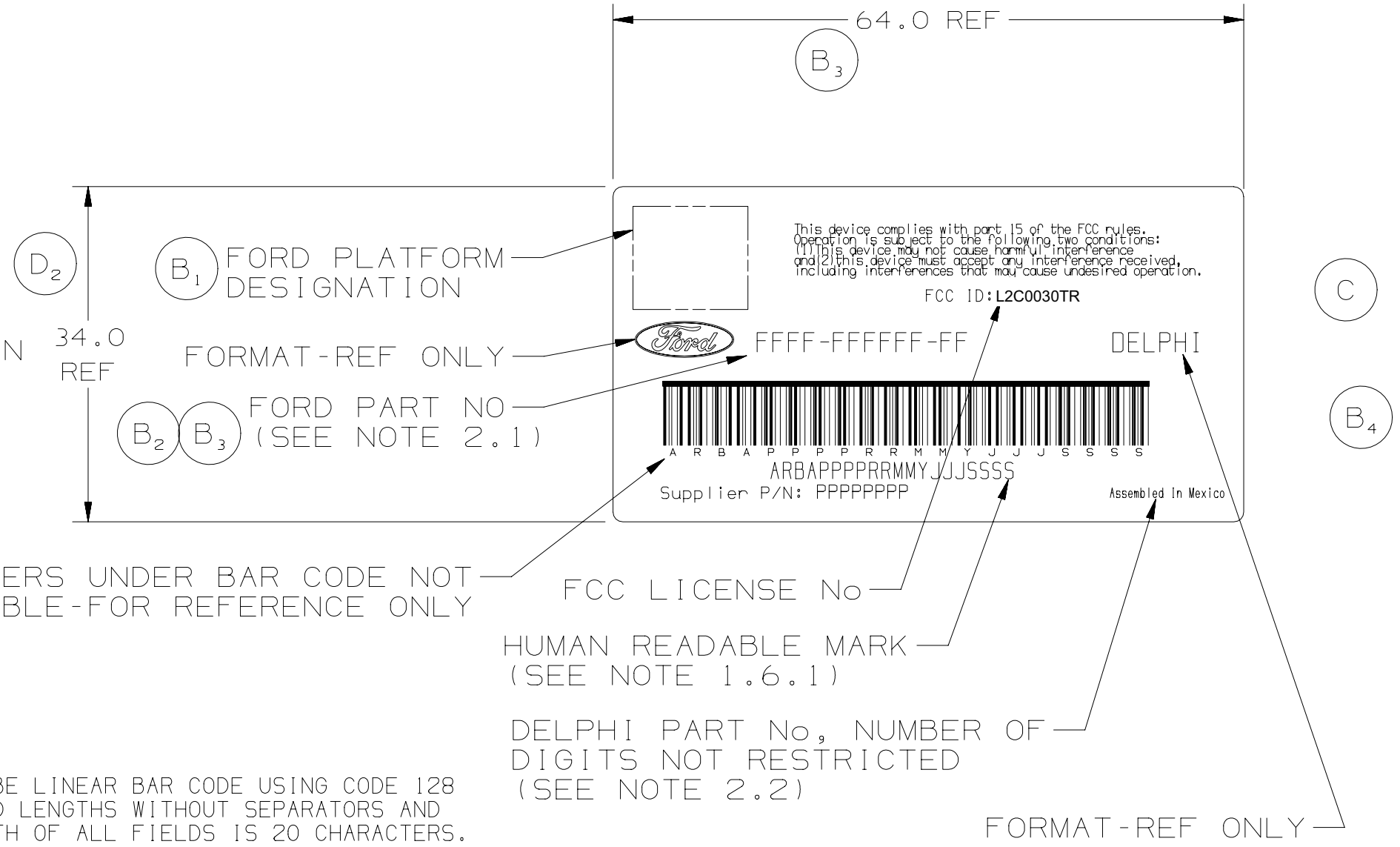


NO & TYPE	DESCRIPTION	RATIONALE	FIS	ZONE
-----------	-------------	-----------	-----	------



USE LINEAR BAR CODE USING CODE 128  
 0 LENGTHS WITHOUT SEPARATORS AND  
 H OF ALL FIELDS IS 20 CHARACTERS.  
 MINIMUM OF 10 TIMES THE NOMINAL  
 H OF NARROWEST BAR OR 0.100 INCHES.

**TC**

This device complies with part 15 of the FCC rules. Operation is subject to the following two conditions: (1) This device may not cause harmful interference and (2) this device must accept any interference received, including interferences that may cause undesired operation.

FCC ID: 1234ABCD



**6W1T - 15K859 - XX**

**DELPHI**



**ARBA765900RM50330346**

**Supplier P/N 12237659AG**

Assembled in Mexico