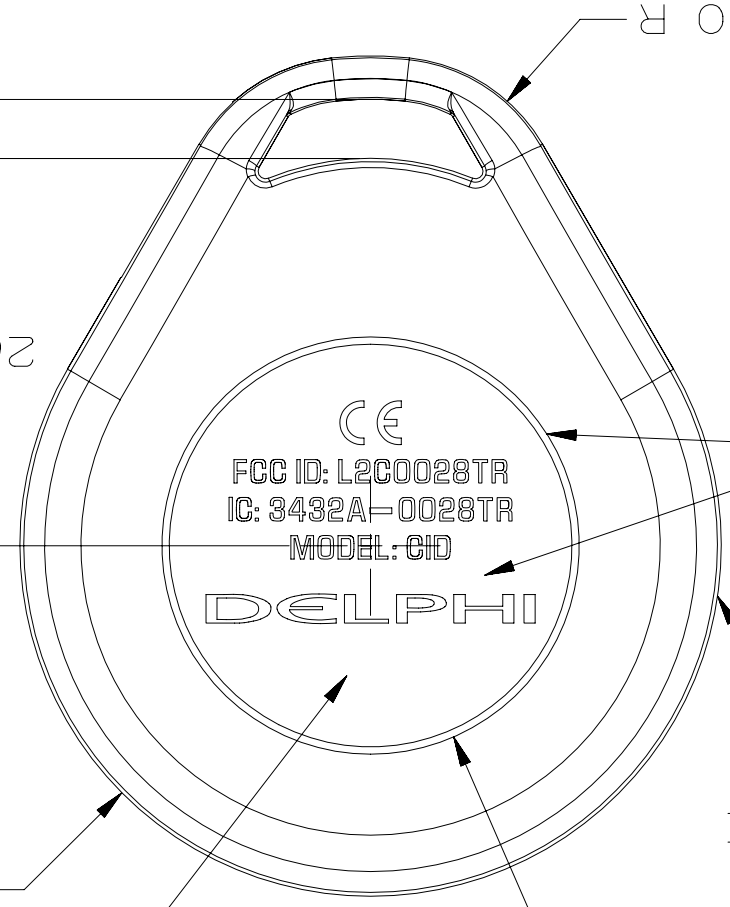


AREA INSIDE GROOVE TO  
TOOLED AS AN INSERT.

Ø 48.0

4.0  
26.5  
2X 12.0 R



Ø (28.5)

IN THIS VIEW, EXCEPT  
AND TEXT TO HAVE SURFACE  
R NOTE 9, 10 & 11.

VE, AND TEXT TO HAVE  
I B-1 SURFACE  
SH OR EQUIVALENT.

CE  
FCC ID: L2C0028TR  
IC: 3432A-0028TR  
MODEL: CID  
DELPHI