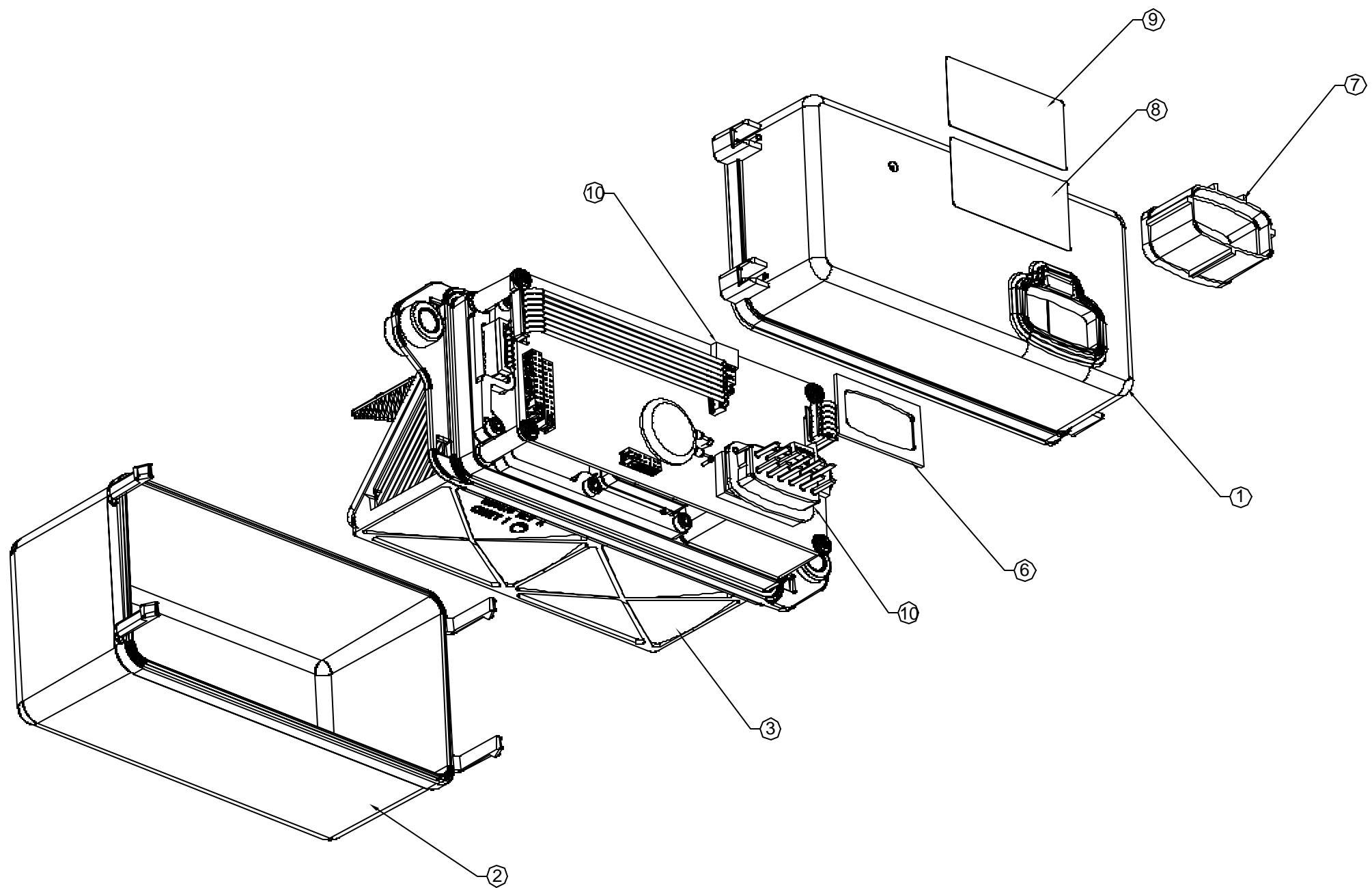


8 7 6 5 4 3 2

DWG NO	REV
1003662	C
REVISION RECORD	
DESCRIPTION	
FOR REV STATUS, SEE SHEET 1	



THIS PRINT/DOCUMENT IS FOR
REFERENCE ONLY
UNLESS SIGNED BY AN AUTHORIZED
INDIVIDUAL (REF. ENG SOP02),
ALL SIGNED PRINTS/DOCUMENTS
MUST BE VERIFIED FOR THE LATEST
REVISION BEFORE USE
APPRO FOR USE DATE

INCHES		UNLESS OTHERWISE SPECIFIED, DIMENSIONS ARE IN INCHES	
DWG: 07FEB00	SCALE: NDWE	DR: RDEARMAN	
PROGRAM: ACCZ		CHK: HJLENN	
NAME: ASSEMBLY, SENSOR SEALED			
SIZE: D	DWG NO: 1003662	BIT: 2 OF 3	REV: C

8 7 6 5 4 3 2 1

HE MICROWAVE TUCSON, AZ