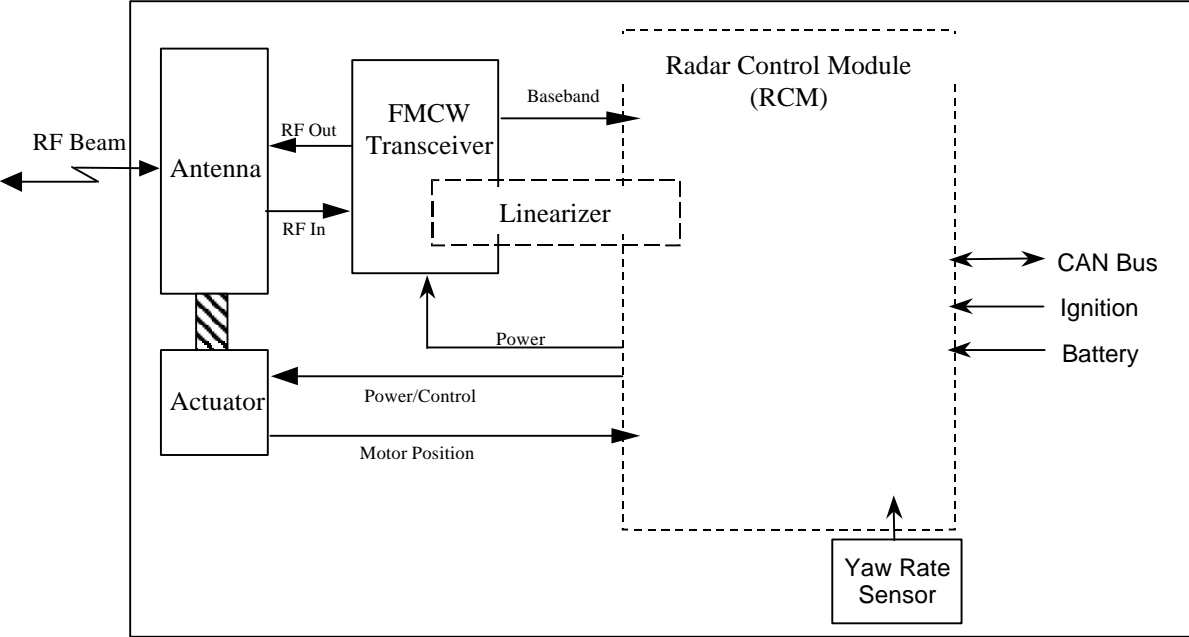


# ACC2 System Block Diagram



# ACC2 Transceiver Block Diagram

