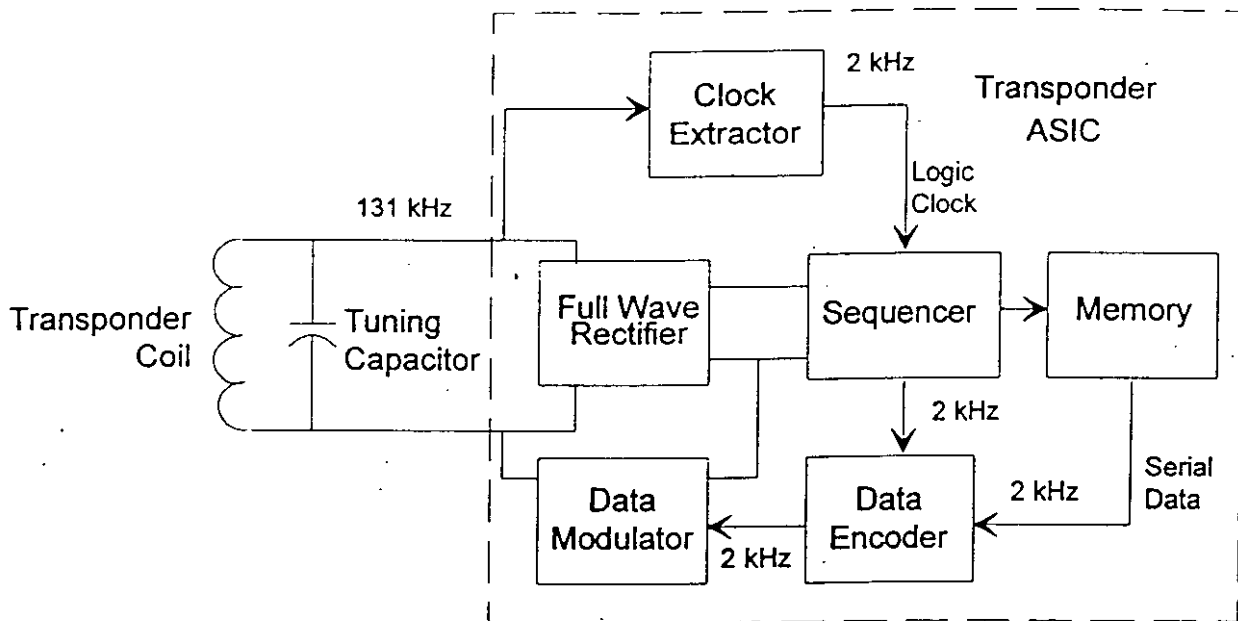


Passkey-III Reader Exciter Block Diagram



**Passkey-III Transponder Block Diagram**

**EXHIBIT**   G  

Page   2   of   4  

U of Mich file 415031-  938