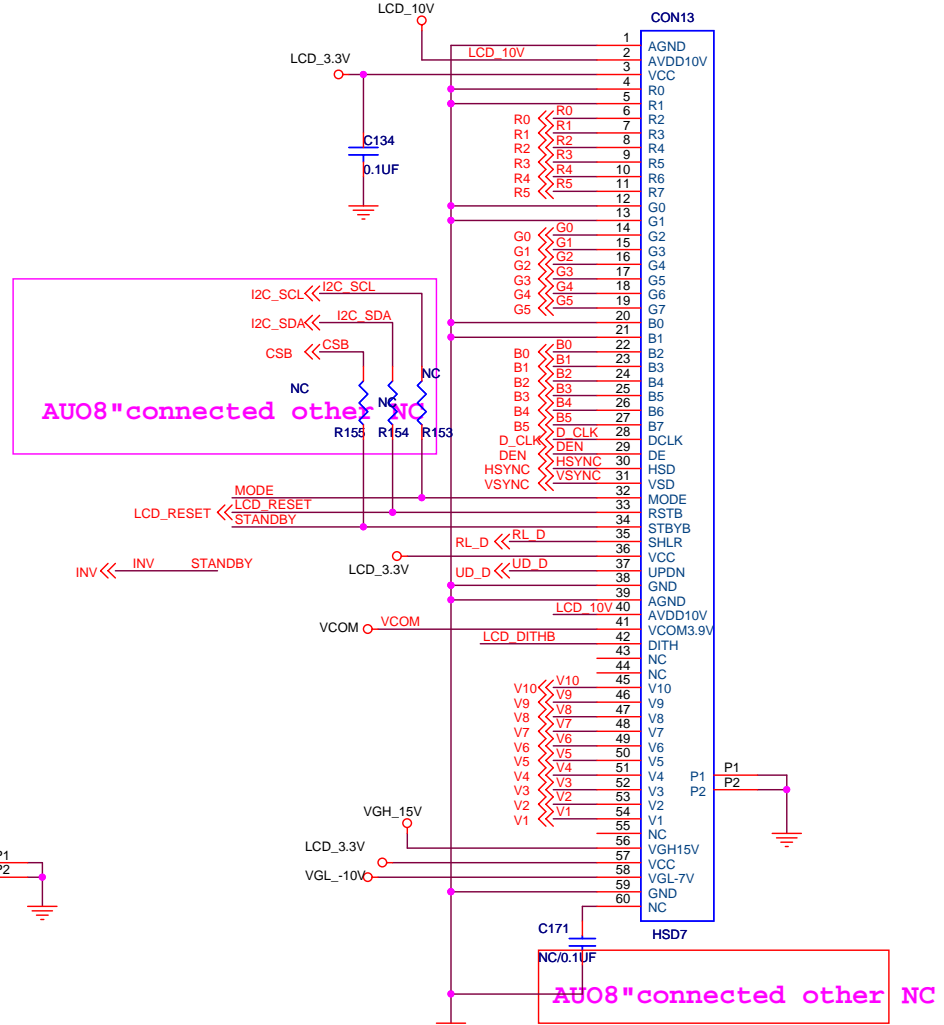
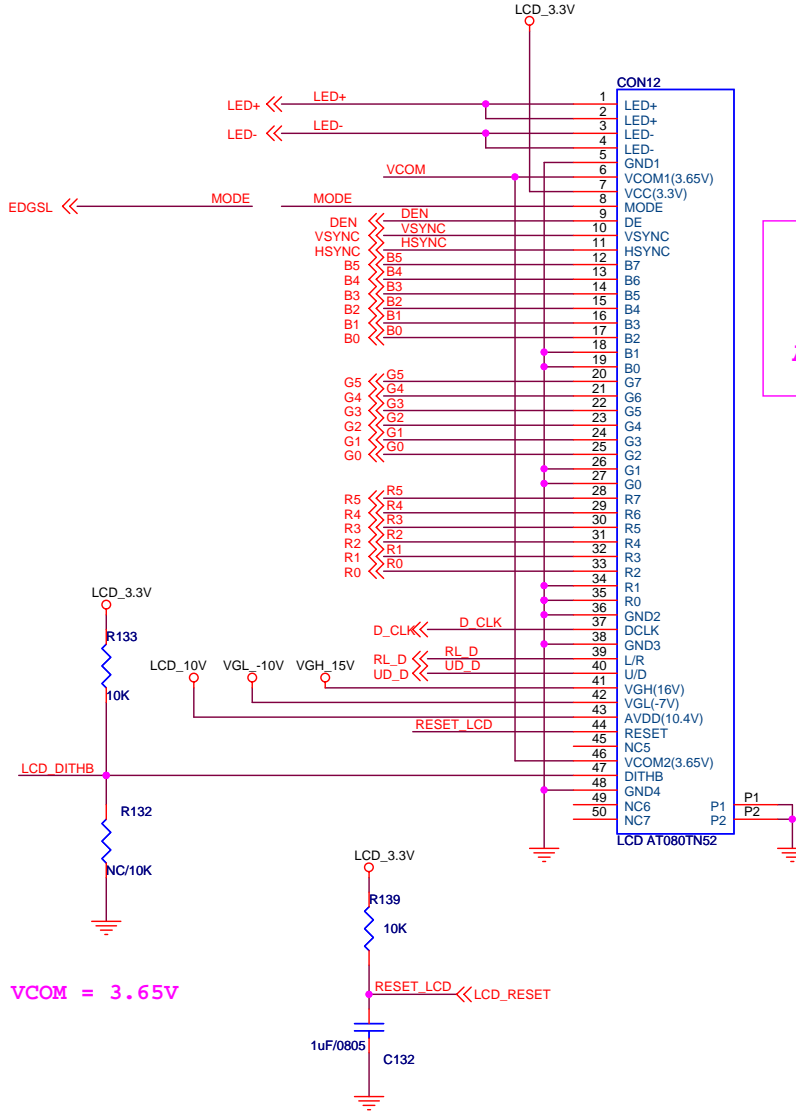
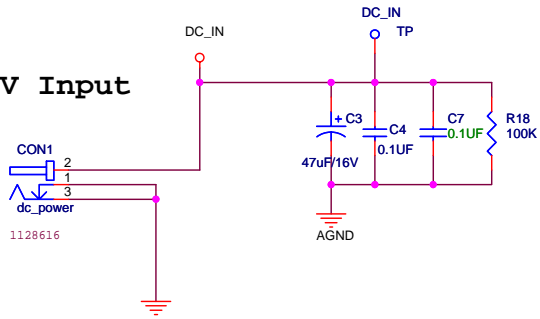


AUO 8" VCOM = 4.1V INNOLUX 8" VCOM = 3.65V

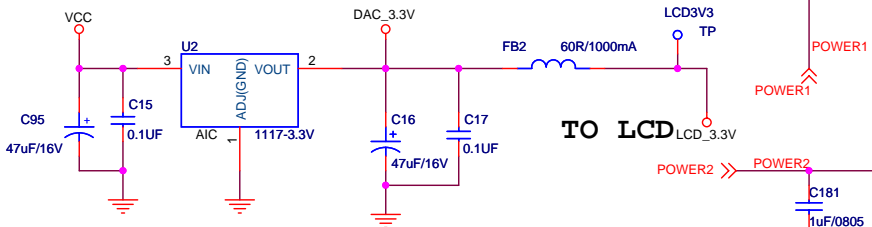


Title		
<Title>		
Size	Document Number	Rev
B	<Doc>	<RevCode>
Date:	Wednesday, July 15, 2009	Sheet 1 of 1

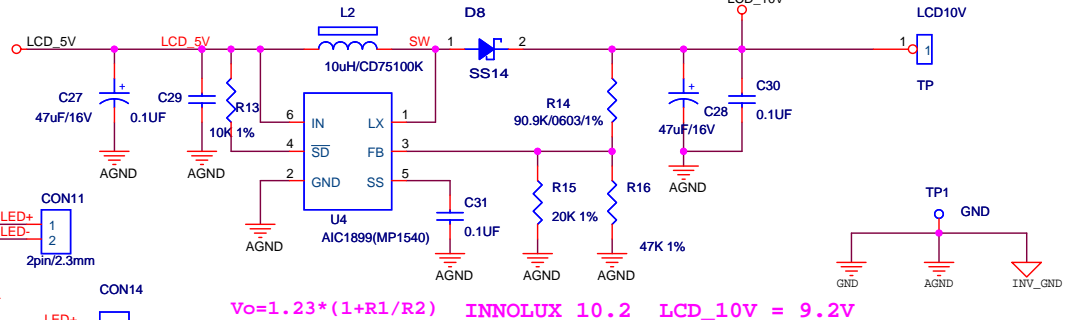
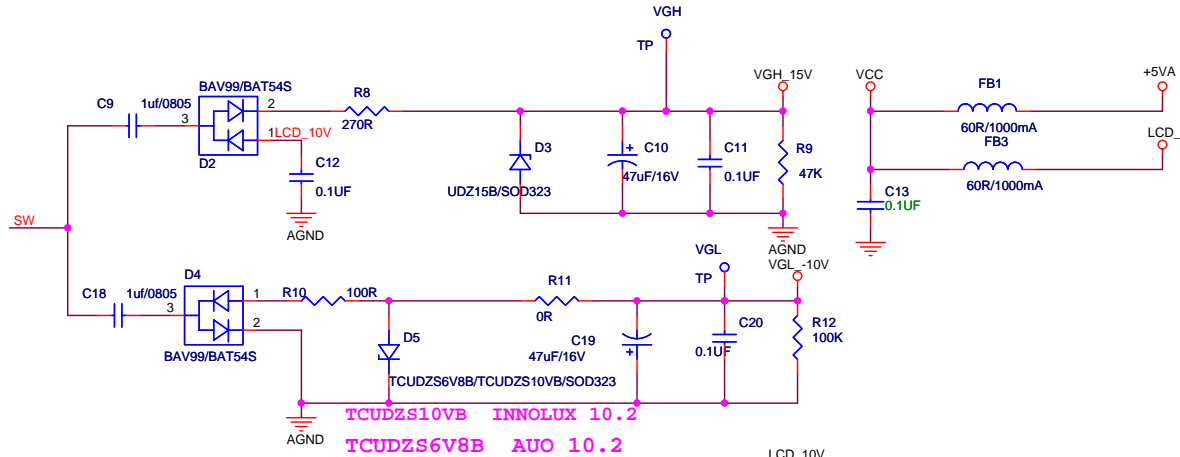
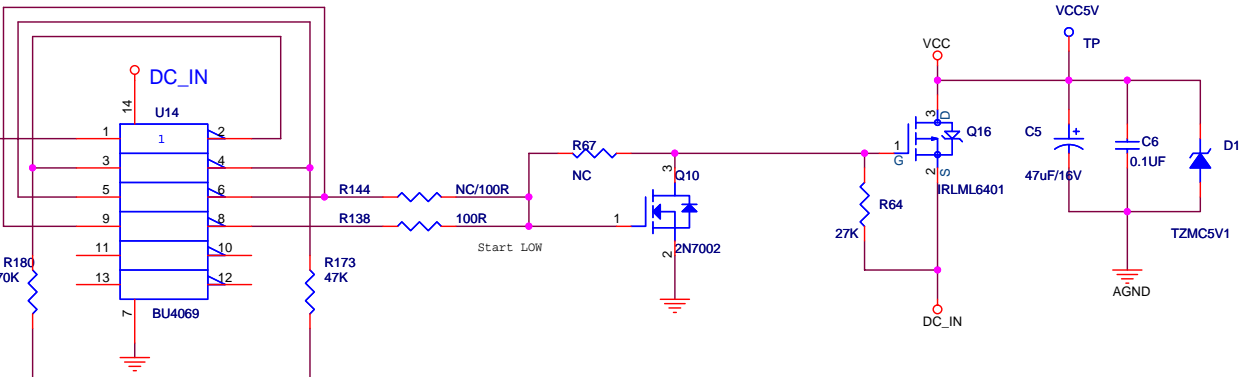
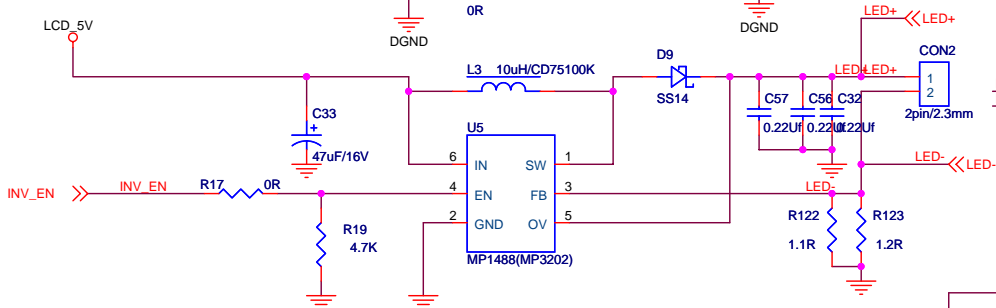
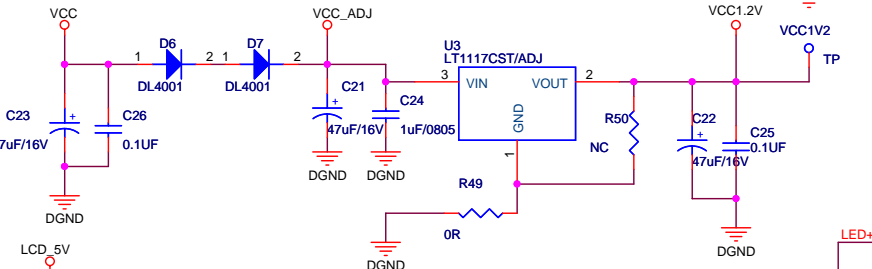
5V Input



TO Decoder



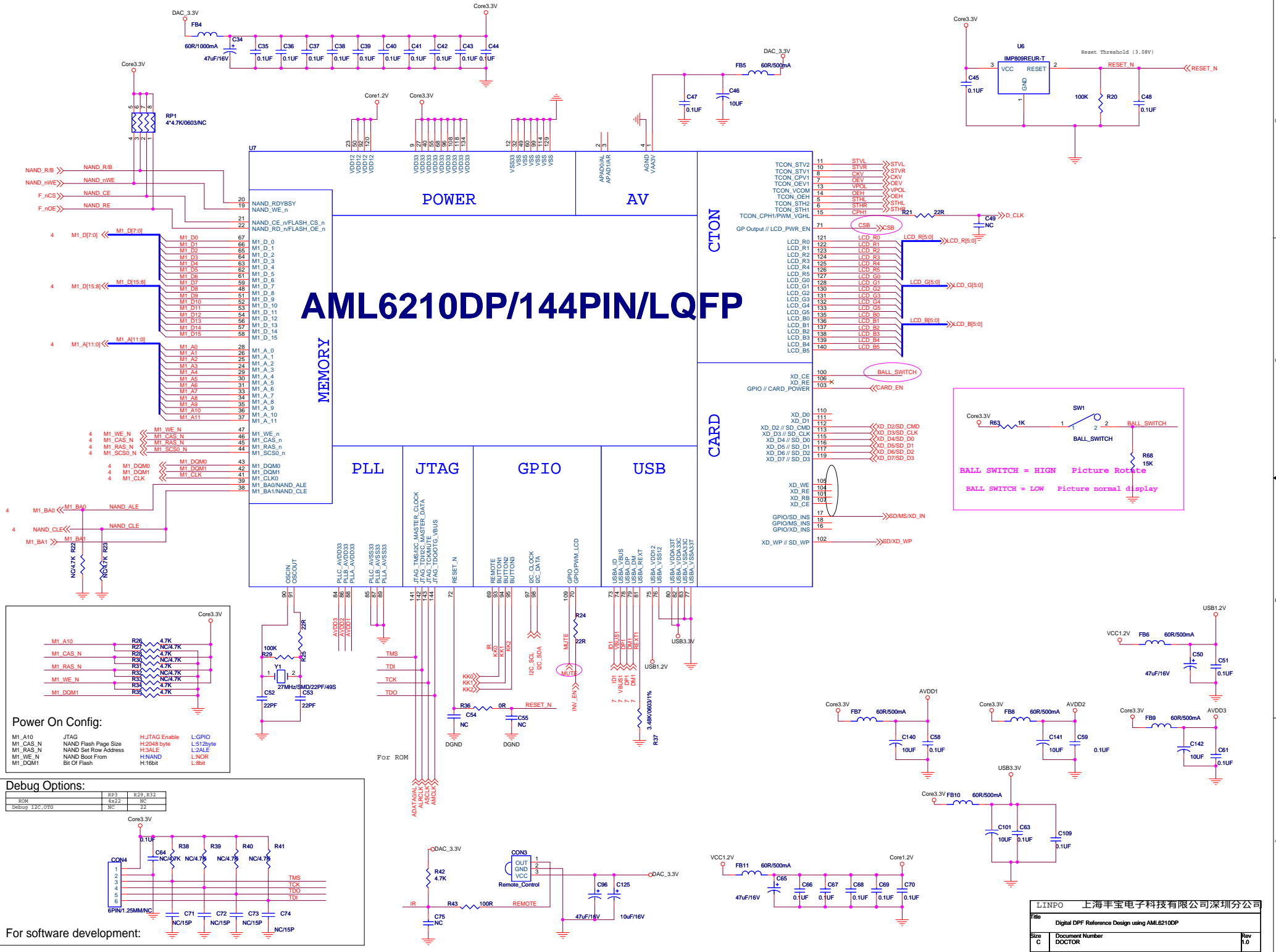
TO LCD



$$V_o = 1.23 * (1 + R1/R2) \quad \text{INNOLUX 10.2} \quad \text{LCD_10V} = 9.2V$$

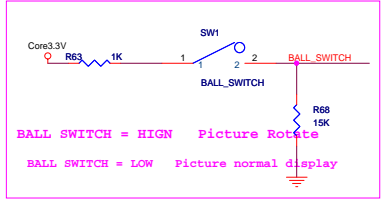
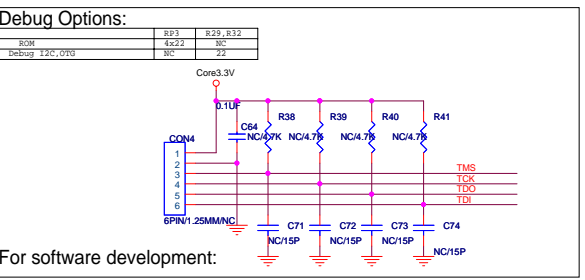
LINPO 上海丰宝电子科技有限公司深圳分公司		
Title Digital DPF Reference Design using AML6210DP		
Size B	Document Number POWER	Rev 1.0
Date: Wednesday, July 22, 2009	Sheet 2	of 10

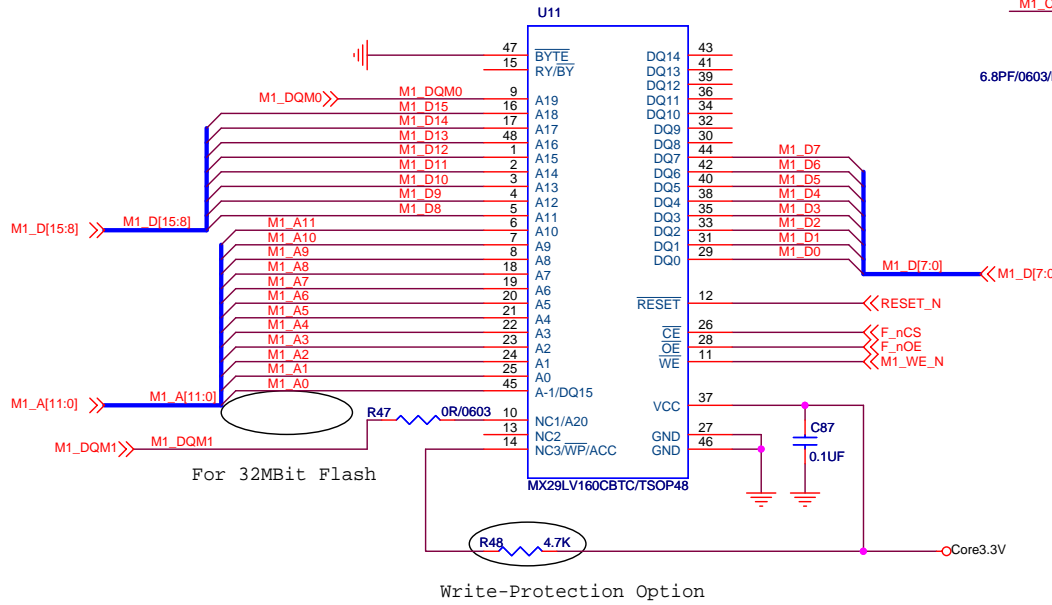
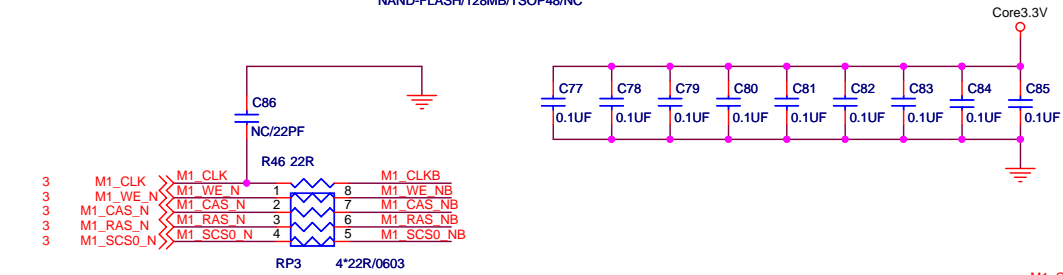
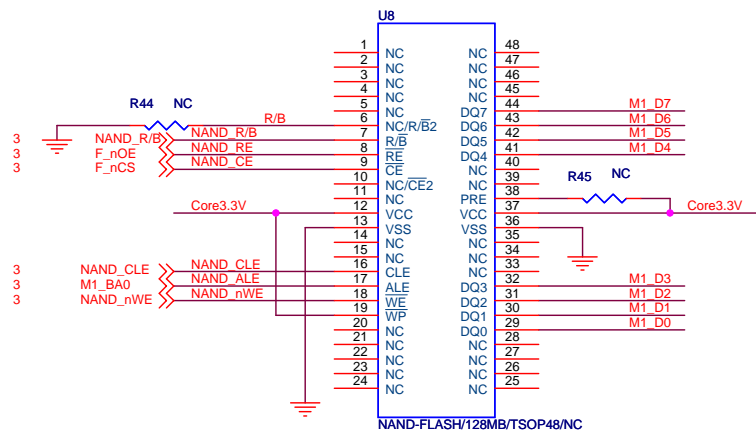
AML6210DP/144PIN/LQFP



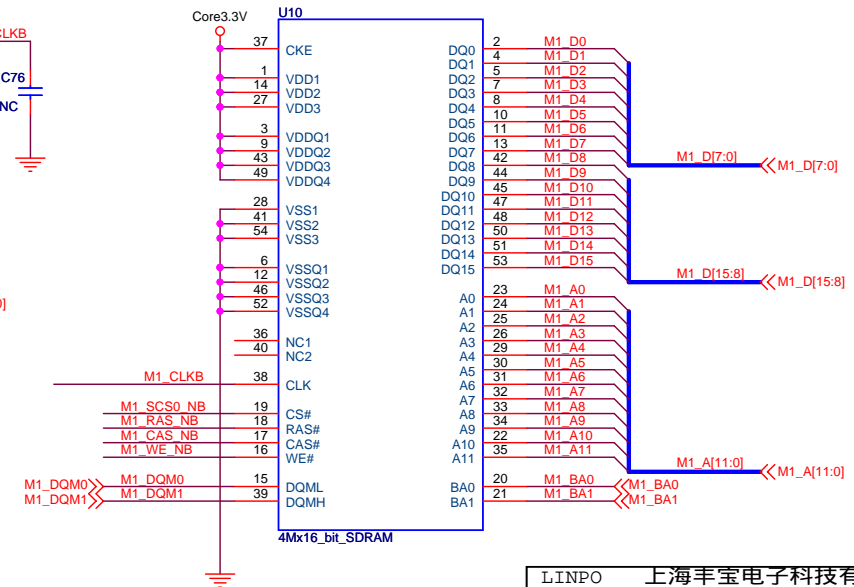
Power On Config:

M1_A10	JTAG	H:JTAG Enable	L:GPIO
M1_CAS_N	NAND Flash Page Size	H:2048 byte	L:512byte
M1_RAS_N	NAND Set Row Address	H:3ALE	L:2ALE
M1_WE_N	NAND Boot From	H:NAND	L:NOR
M1_DQM1	Bit Of Flash	H:16bit	L:8bit



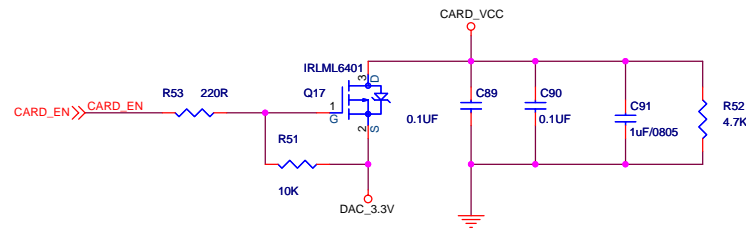
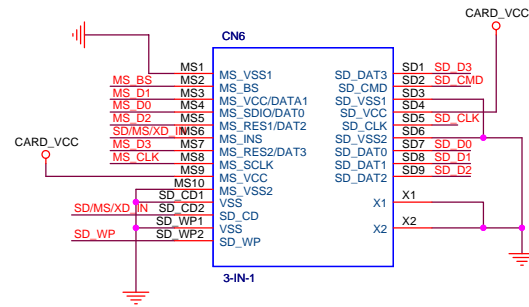
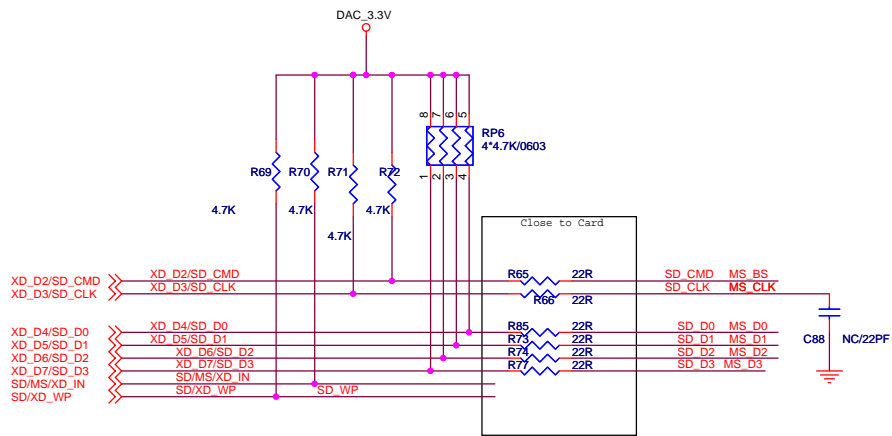


Write-Protection Option



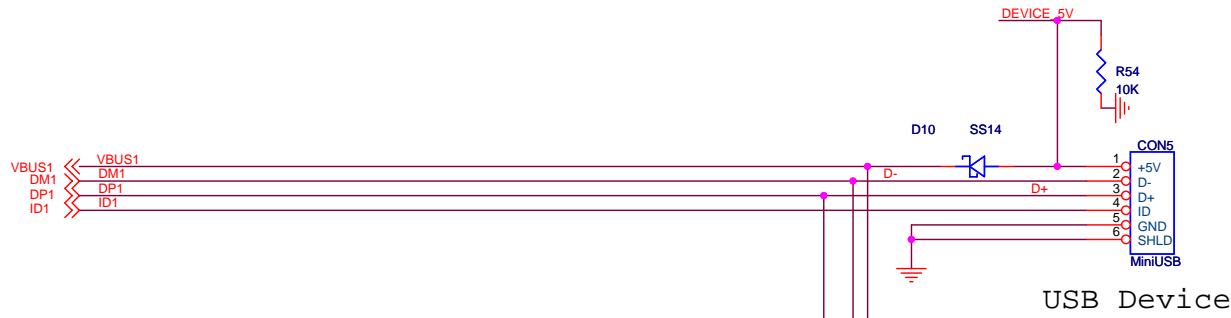
It's for option

LINPO 上海丰宝电子科技有限公司深圳分公司		
Title Digital DPF Reference Design using AML6210DP		
Size B	Document Number MENORY	Rev 1.0
Date: Wednesday, July 15, 2009	Sheet 4	of 10

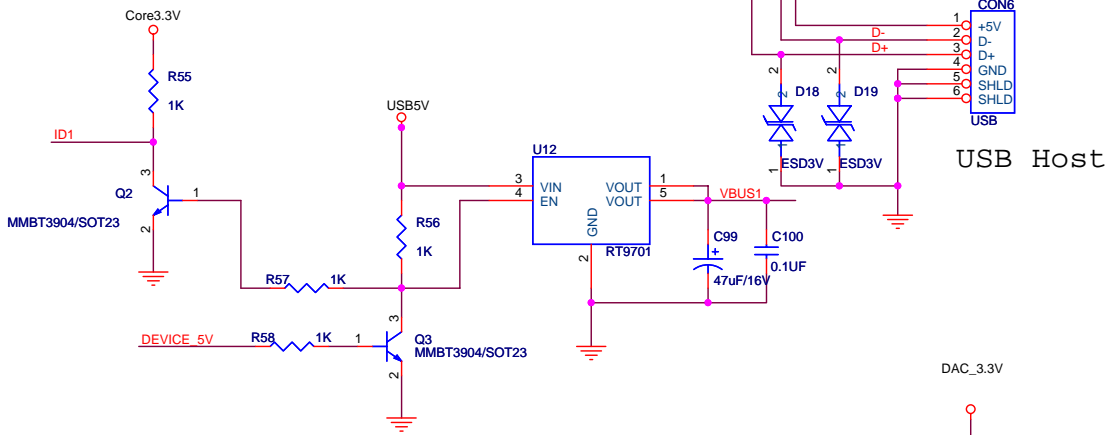


LINPO 上海丰宝电子科技有限公司深圳分公司		
Title Digital DPF Reference Design using AML6210DP		
Size CustomCARD	Document Number	Rev 1.0
Date: Wednesday, July 15, 2009	Sheet 5	of 10

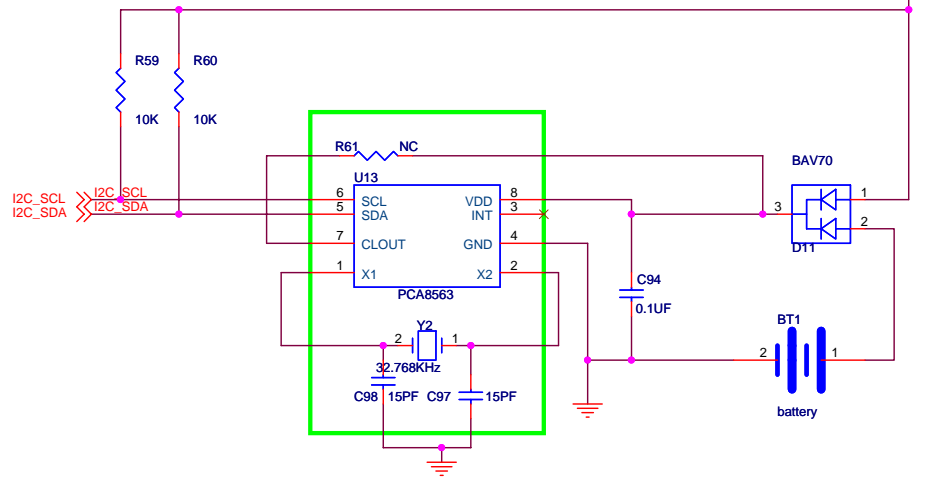
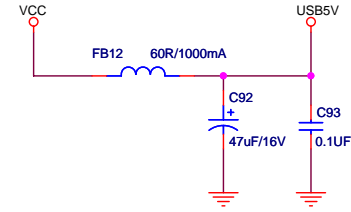
3
3
3



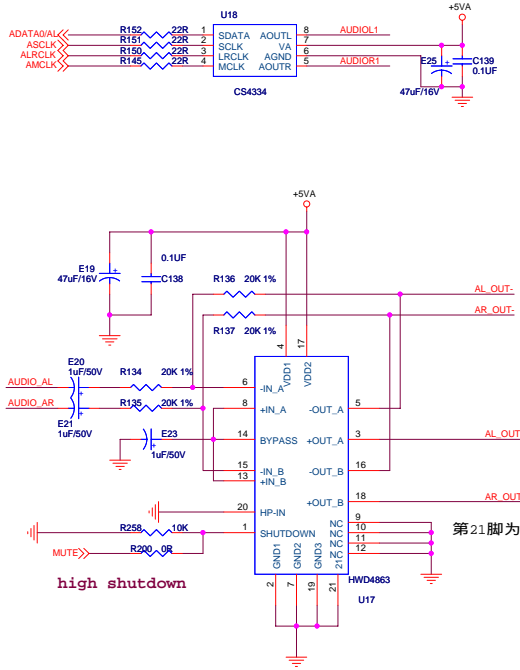
USB Device



USB Host

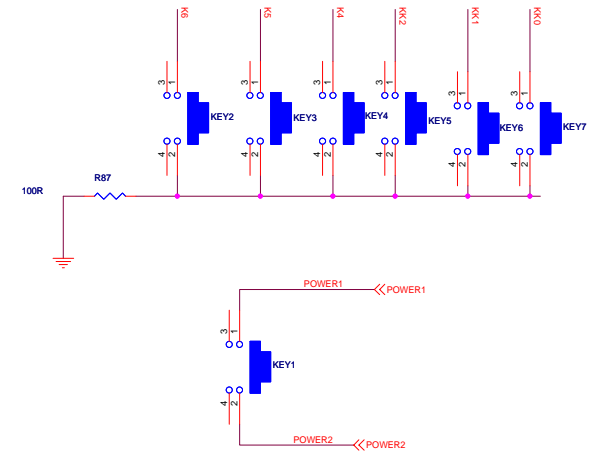
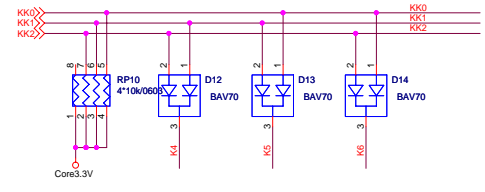
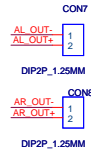
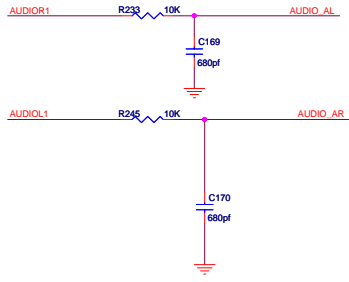


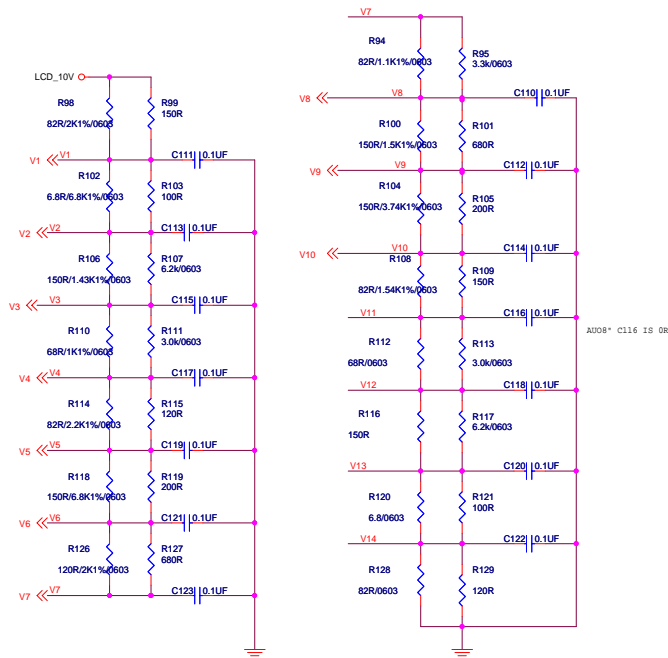
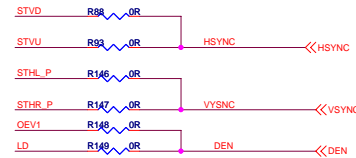
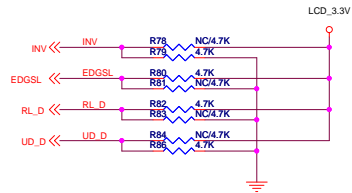
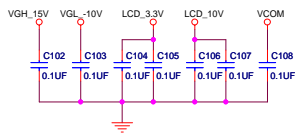
LINPO 上海丰宝电子科技有限公司深圳分公司		
Title Digital DPF Reference Design using AML6210DP		
Size B	Document Number USB&RTC	Rev 1.0
Date: Wednesday, July 15, 2009	Sheet 6	of 10



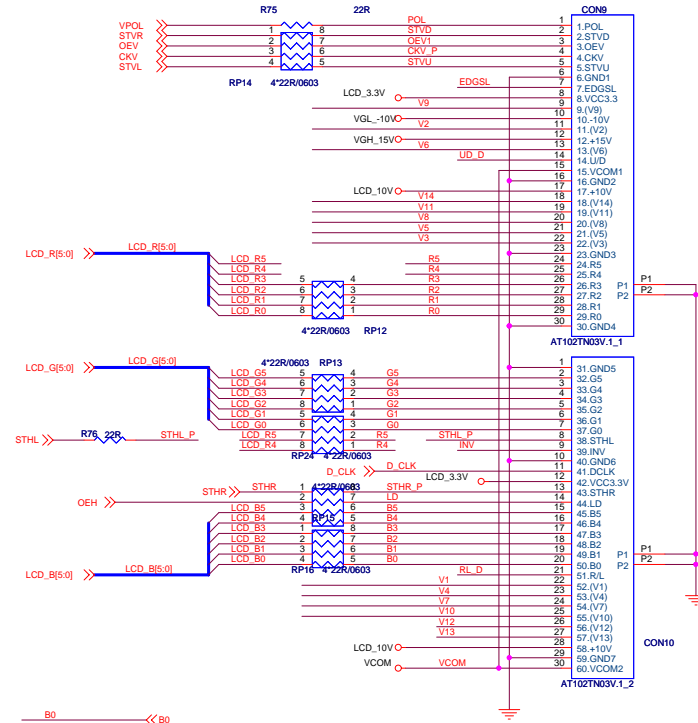
第21脚为IC底部散热焊盘

high shutdown





LCD Interface Gamma Voltage



LCD Interface

