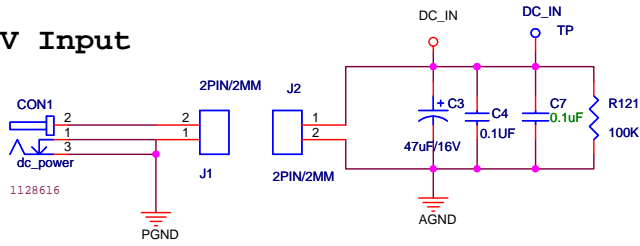
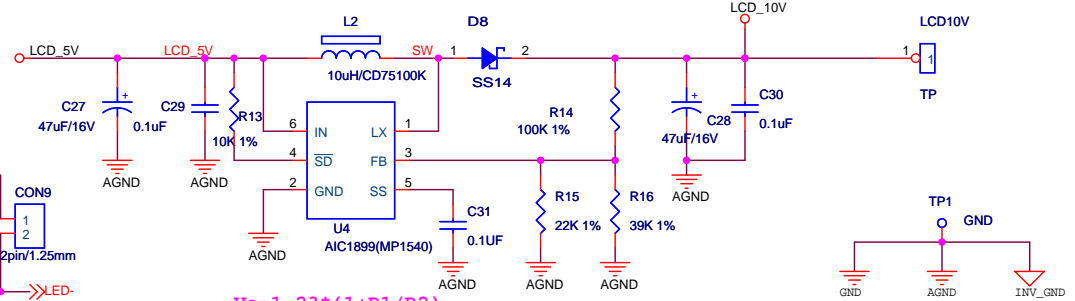
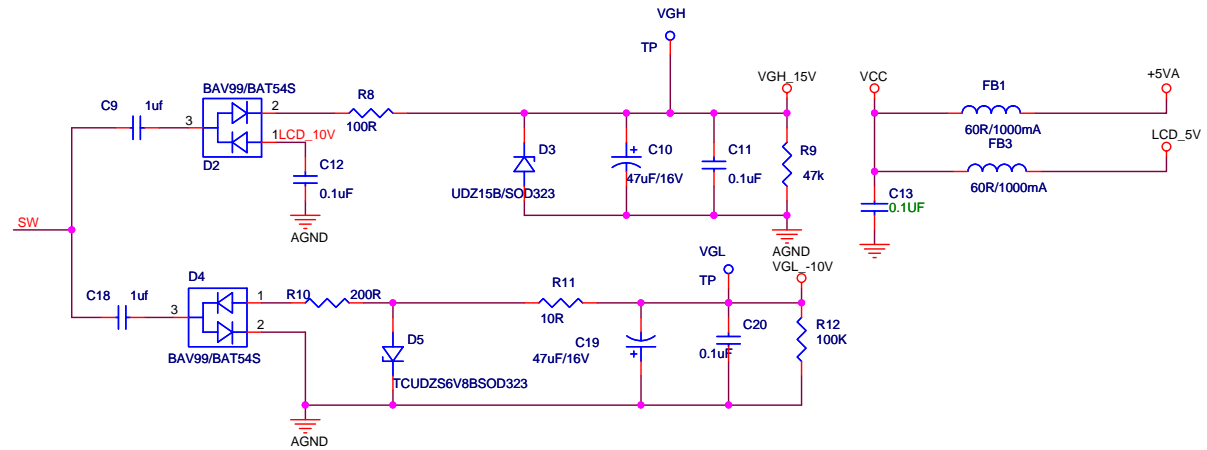
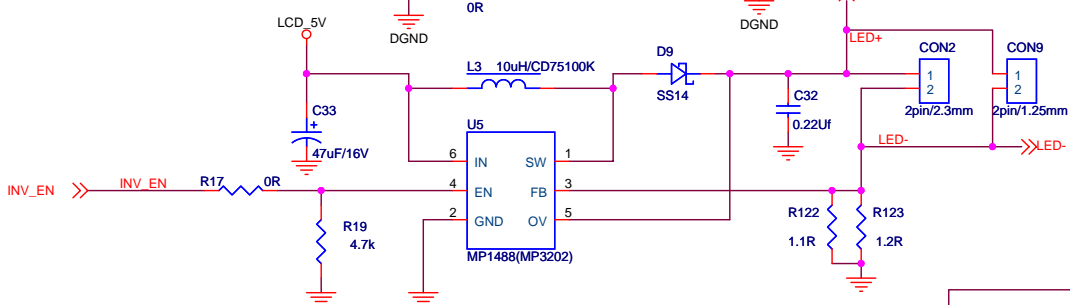
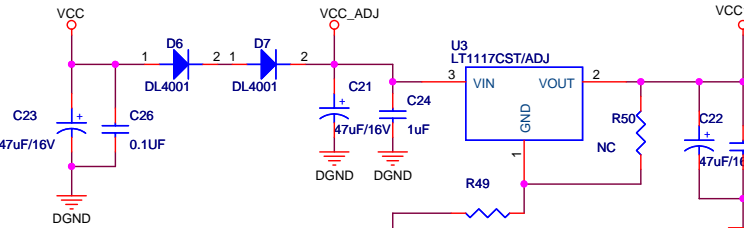
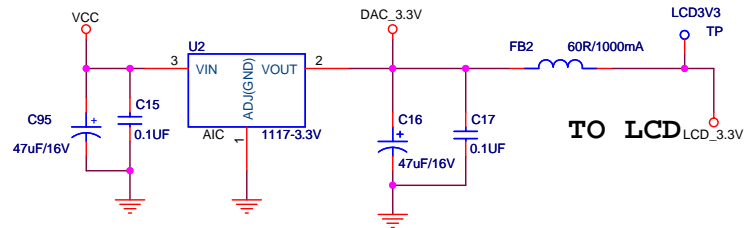


### 5V Input



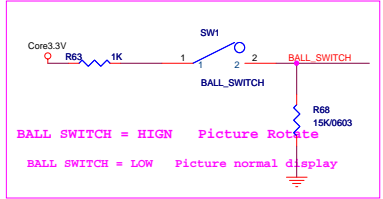
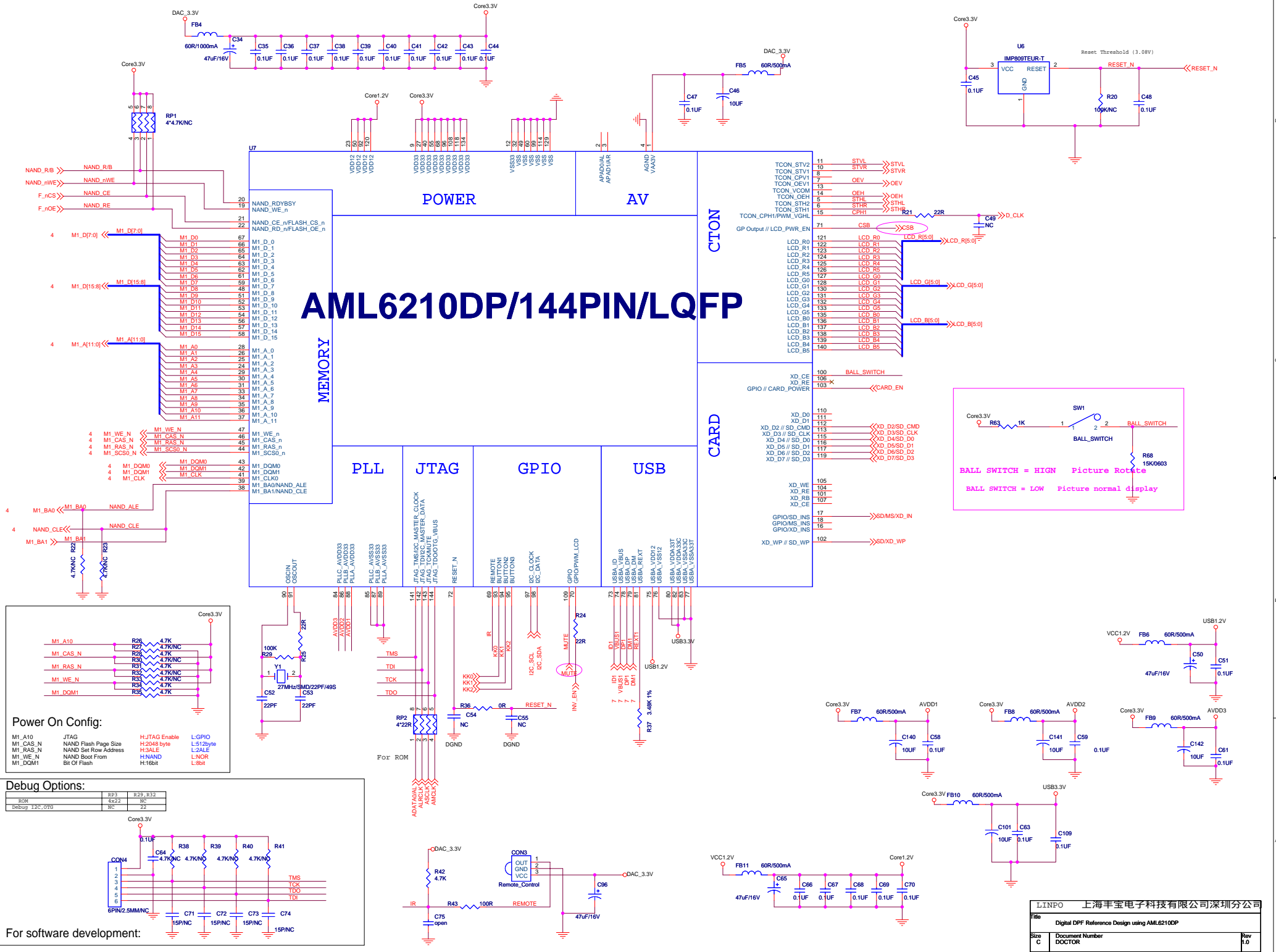
### TO Decoder



$$V_o = 1.23 * (1 + R1/R2)$$

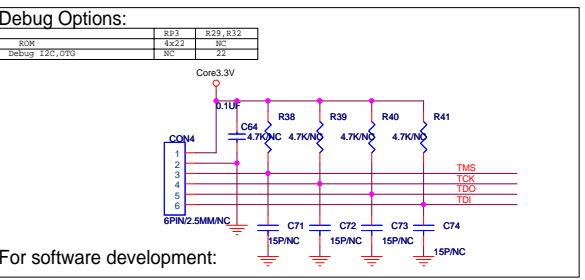
LINPO 上海丰宝电子科技有限公司深圳分公司		
Title Digital DPF Reference Design using AML6210DP		
Size B	Document Number POWER	Rev 1.0
Date: Monday, August 31, 2009	Sheet 2	of 11

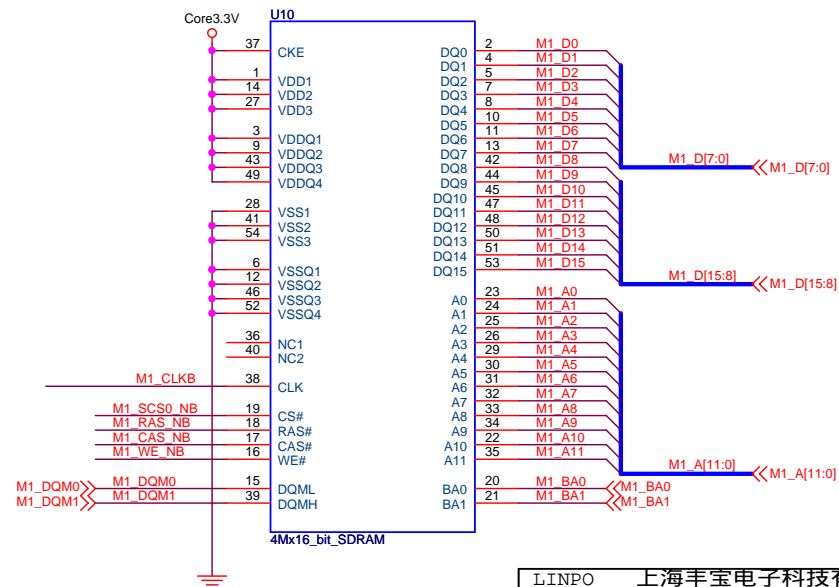
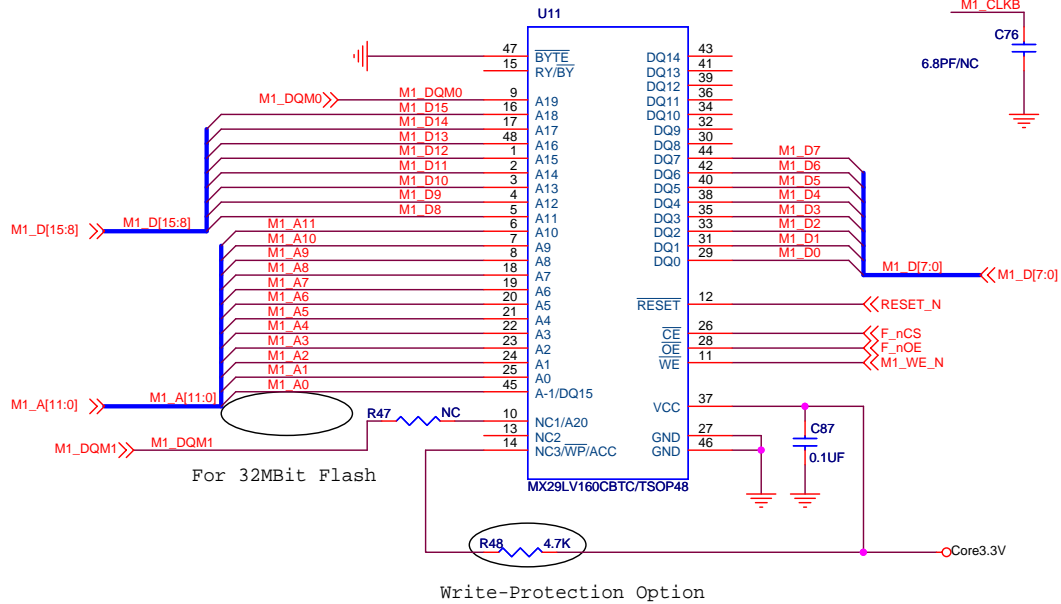
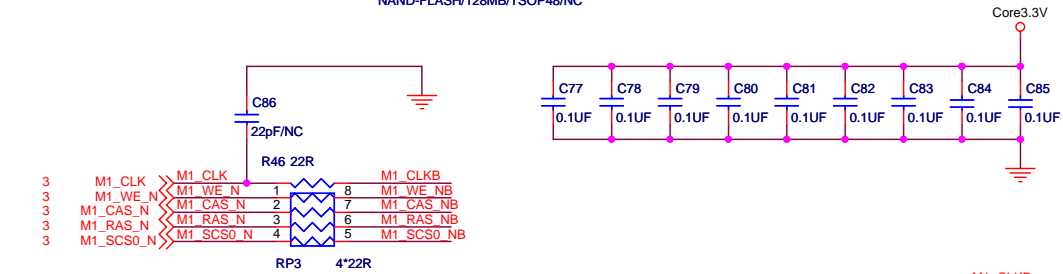
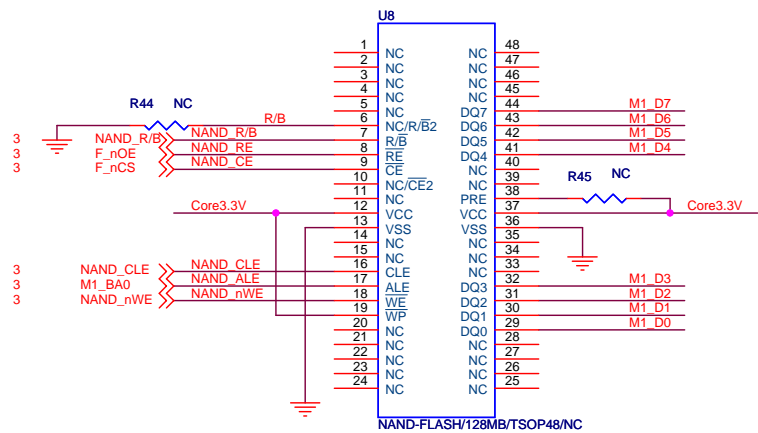
# AML6210DP/144PIN/LQFP



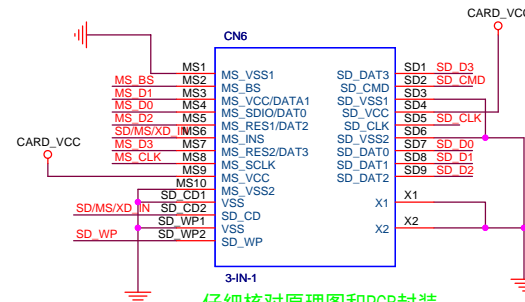
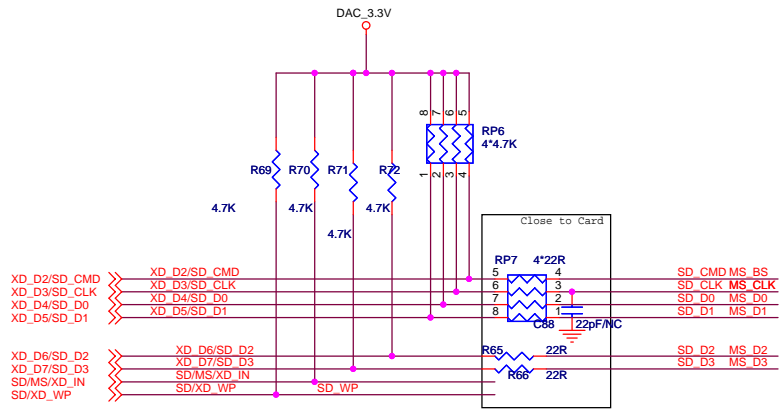
**Power On Config:**

M1_A10	JTAG	H:JTAG Enable	L:GPIO
M1_CAS_N	NAND Flash Page Size	H:2048 byte	L:512byte
M1_RAS_N	NAND Set Row Address	H:3ALE	L:2ALE
M1_WE_N	NAND Boot From	H:NAND	L:NOR
M1_DQM1	Bit Of Flash	H:16bit	L:8bit

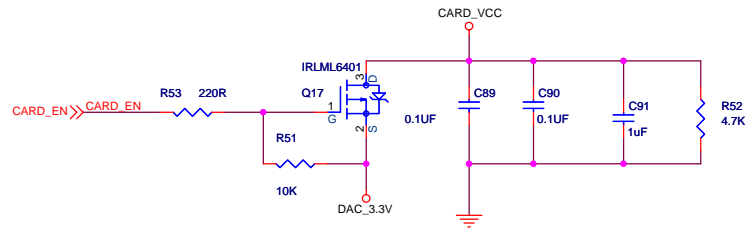




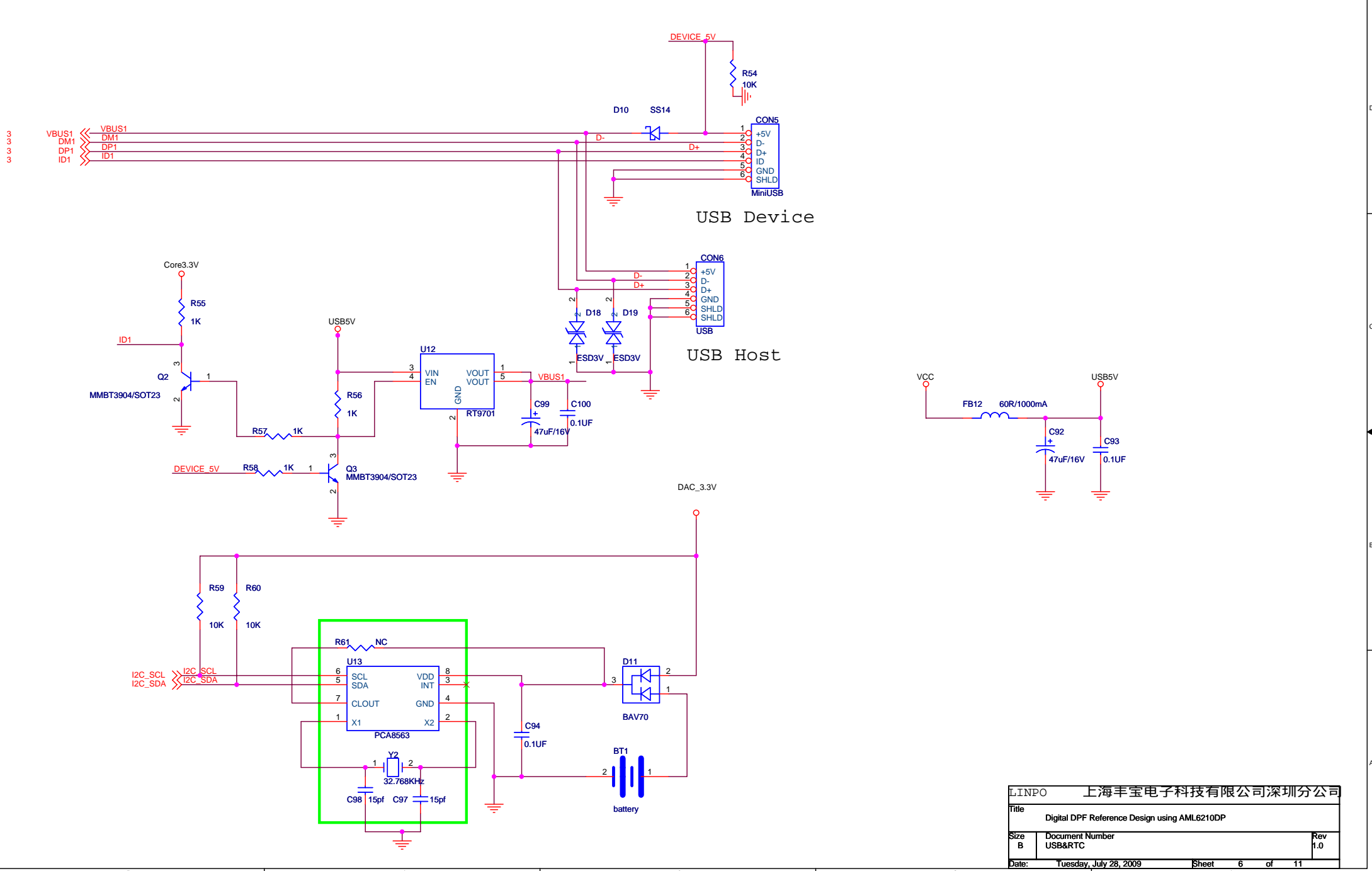
LINPO 上海丰宝电子科技有限公司深圳分公司		
Title Digital DPF Reference Design using AML6210DP		
Size B	Document Number MENORY	Rev 1.0
Date: Tuesday, July 28, 2009	Sheet 4	of 11



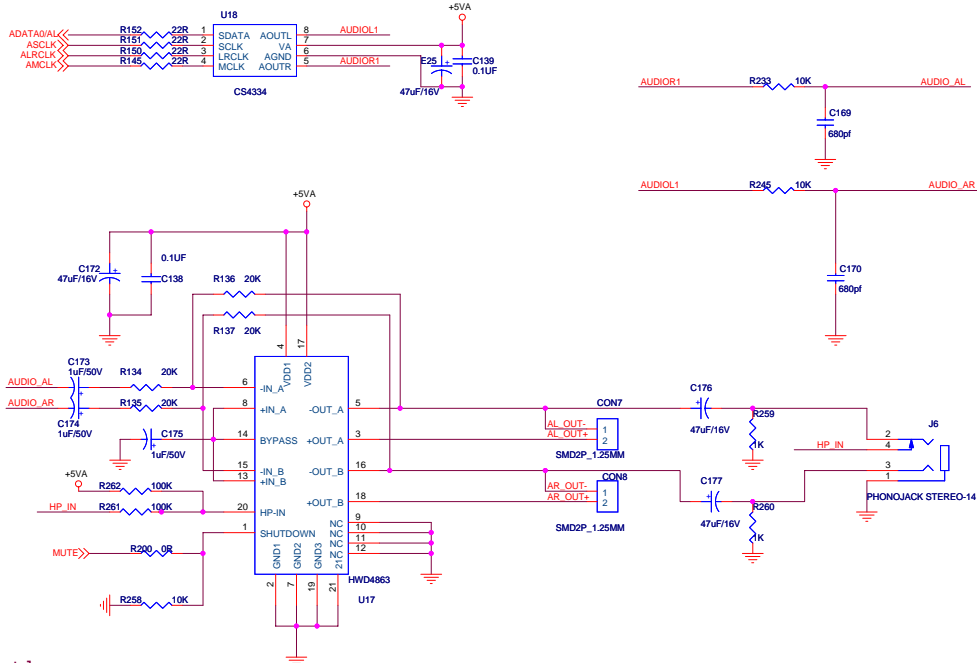
仔细核对原理图和PCB封装的管脚排列是否一致



LINPO 上海丰宝电子科技有限公司深圳分公司		
Title Digital DPF Reference Design using AML6210DP		
Size CustomCARD	Document Number	Rev 1.0
Date: Tuesday, July 28, 2009	Sheet 5	of 11

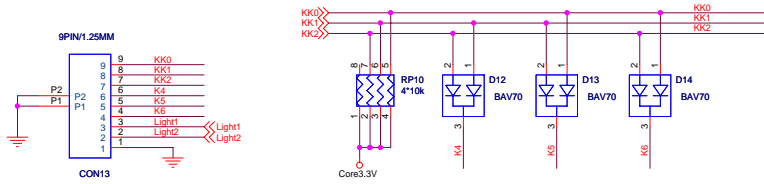


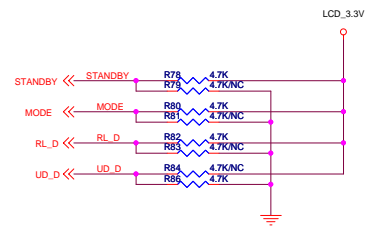
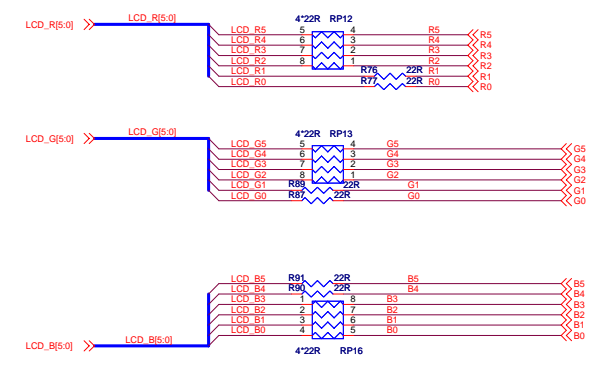
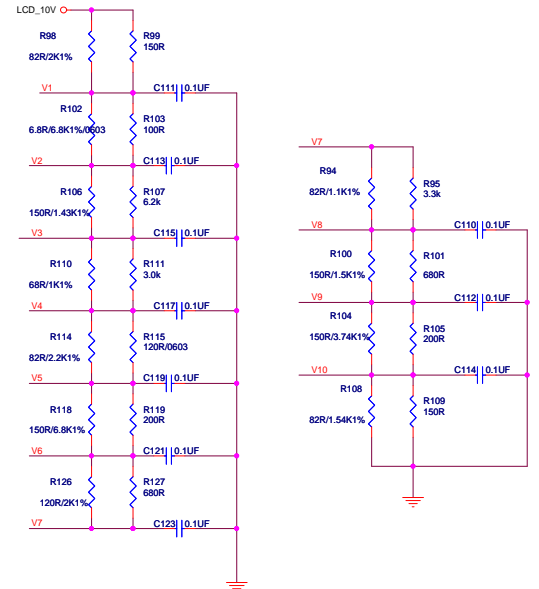
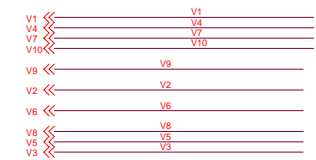
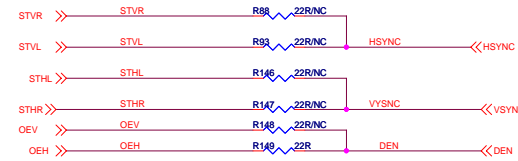
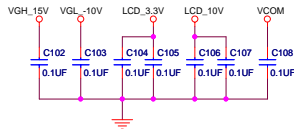
LINPO 上海丰宝电子科技有限公司深圳分公司		
Title Digital DPF Reference Design using AML6210DP		
Size B	Document Number USB&RTC	Rev 1.0
Date: Tuesday, July 28, 2009	Sheet 6	of 11



第21脚为IC底部散热焊盘

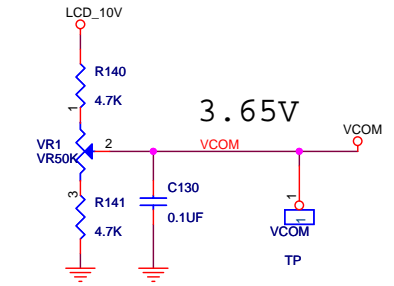
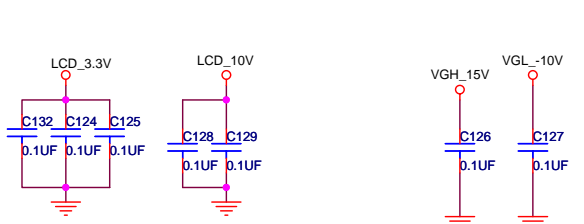
high shutdown



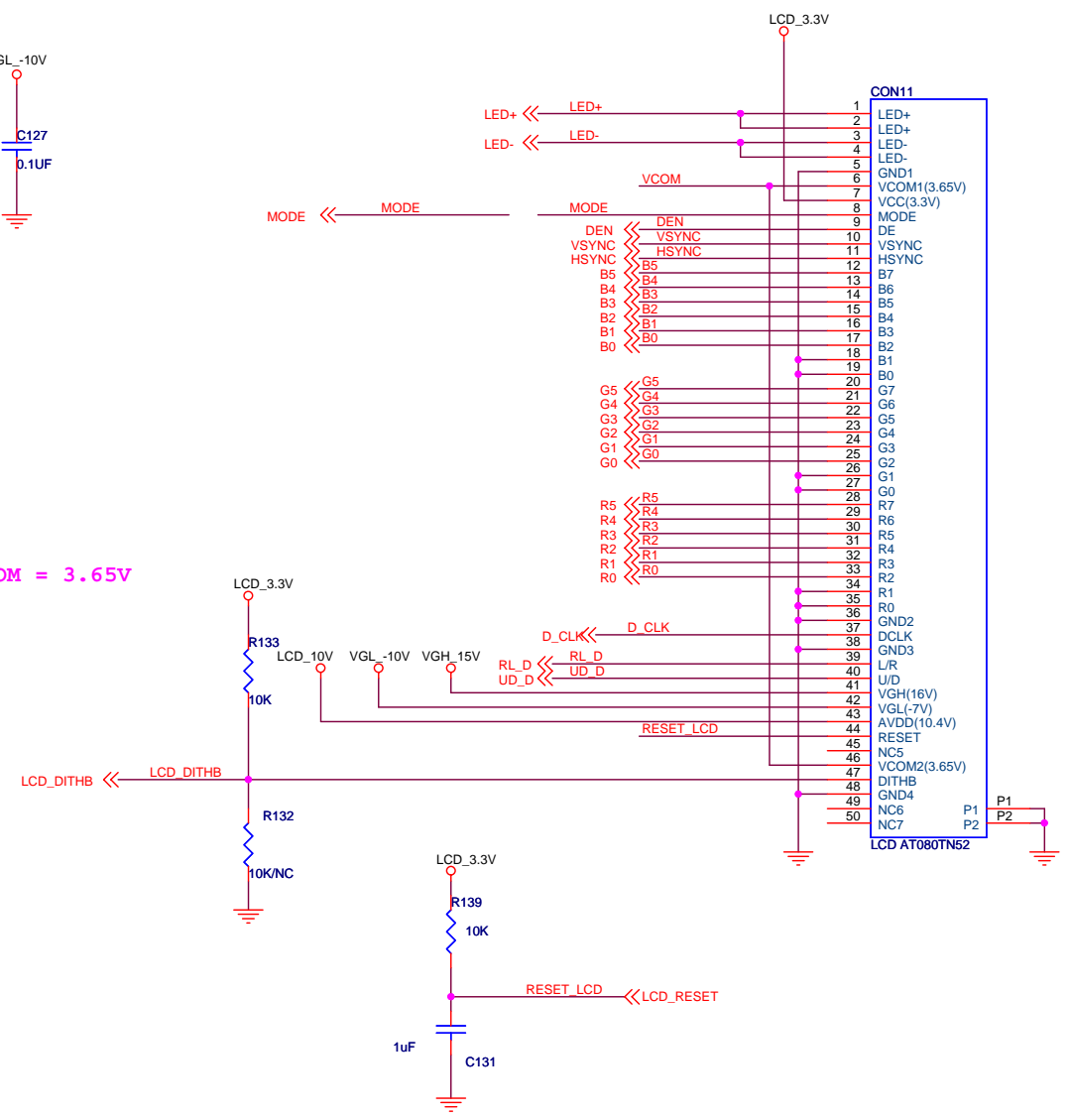
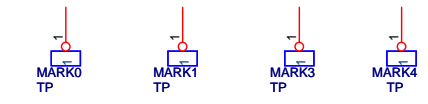


LCD Interface Gammar Votage  
 AUO 8" CONNECT GAMMA NET INNOLUX 8" NC GAMMA NET

LCD Interface

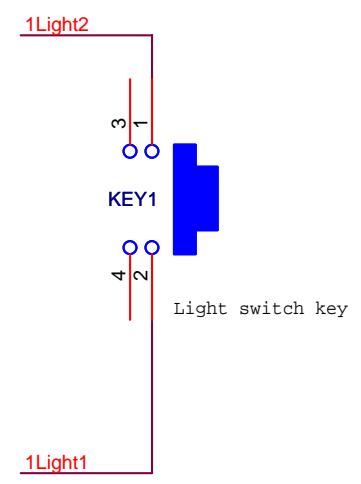
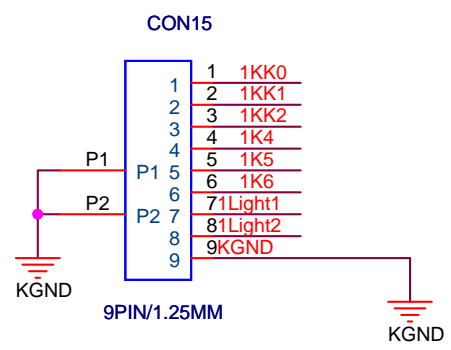
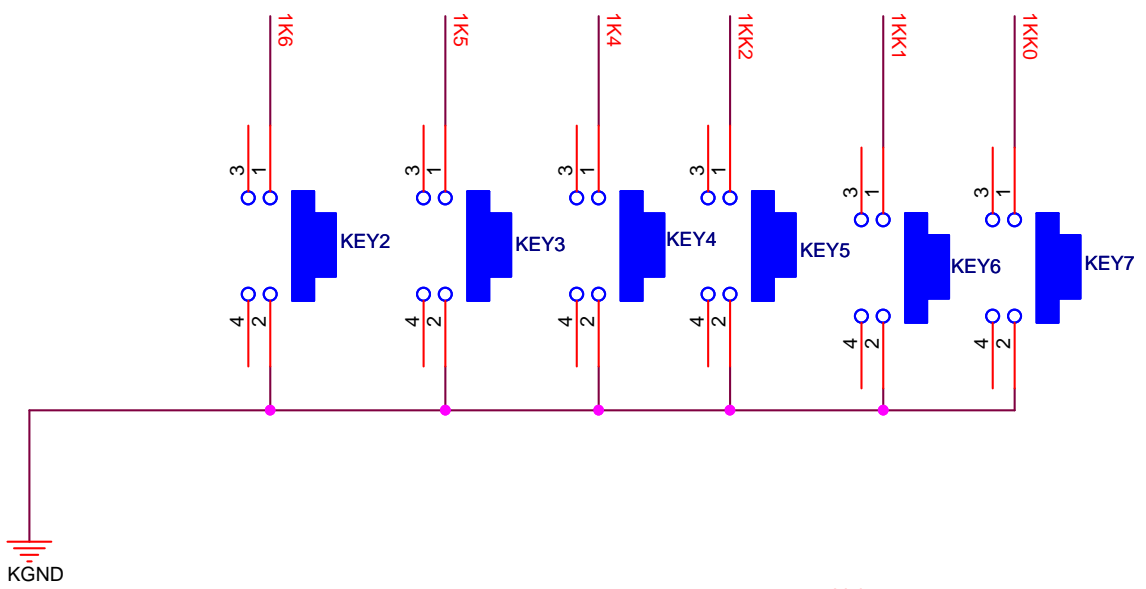


AUO 8" VCOM = 4.1V    INNOLUX 8" VCOM = 3.65V

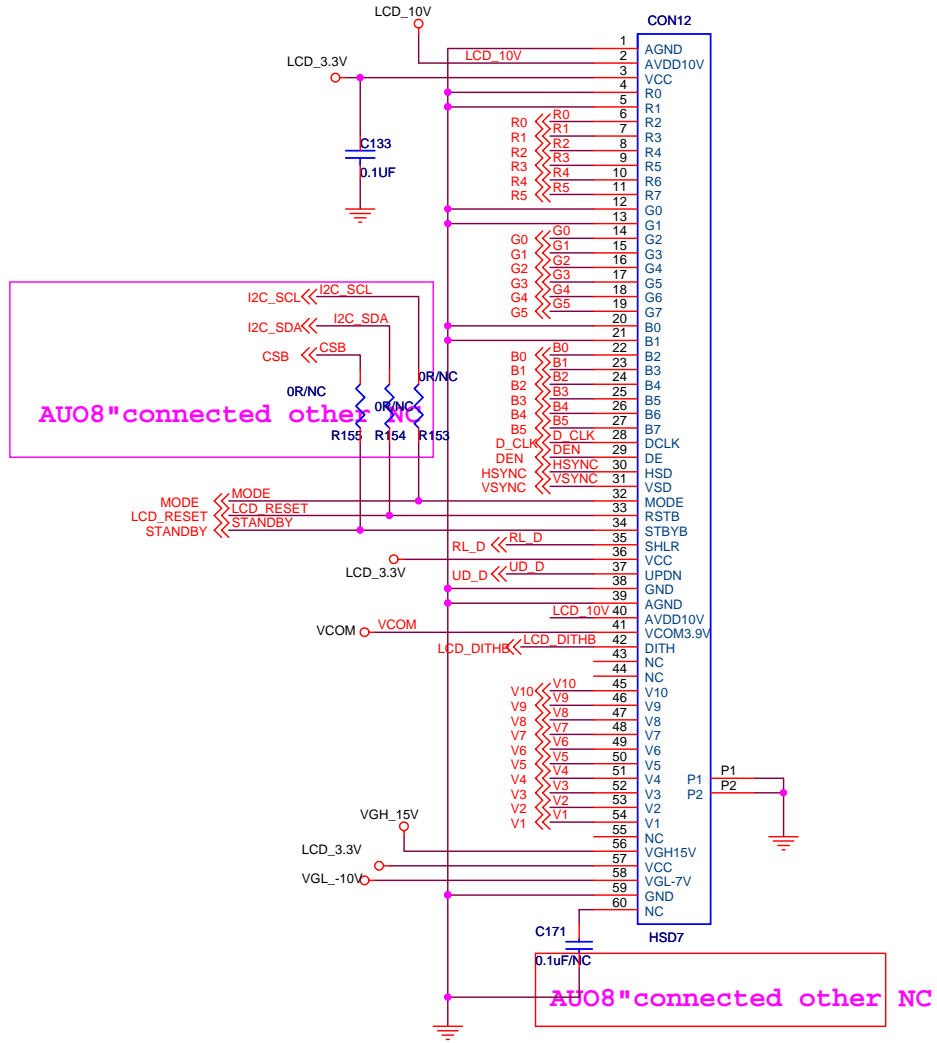


Title		<Title>
Size	Document Number	Rev
B	<Doc>	<RevCode>
Date:	Tuesday, July 28, 2009	Sheet 9 of 11

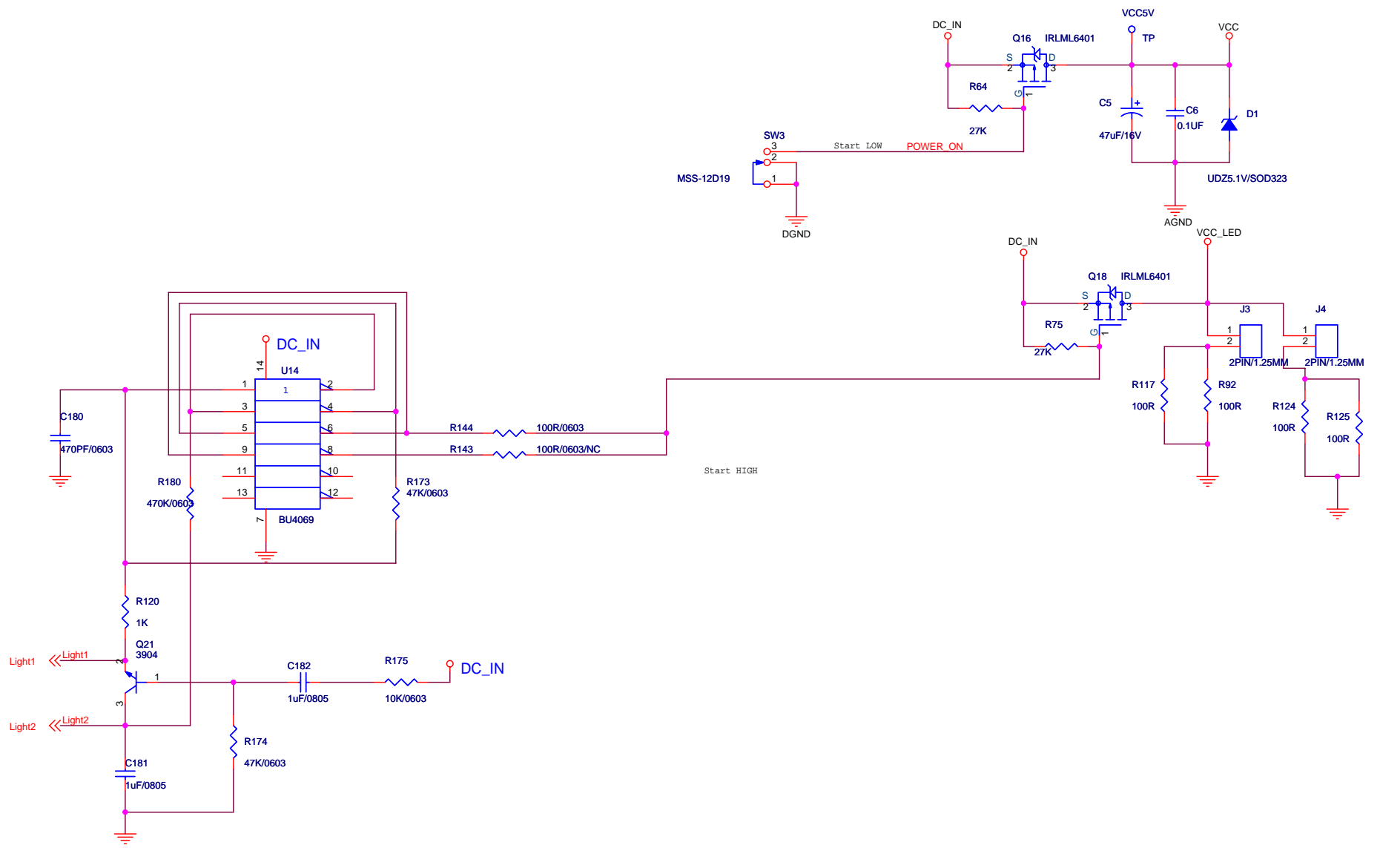




Title		
<Title>		
Size	Document Number	Rev
A	<Doc>	<RevCode>
Date:	Tuesday, July 28, 2009	Sheet 9 of 9



Title		
<Title>		
Size	Document Number	Rev
B	<Doc>	<RevCode>
Date:	Tuesday, July 28, 2009	Sheet 10 of 11



Title		<Title>
Size	Document Number	Rev
B	<Doc>	<RevCode>
Date:	Wednesday, July 29, 2009	Sheet 11 of 11