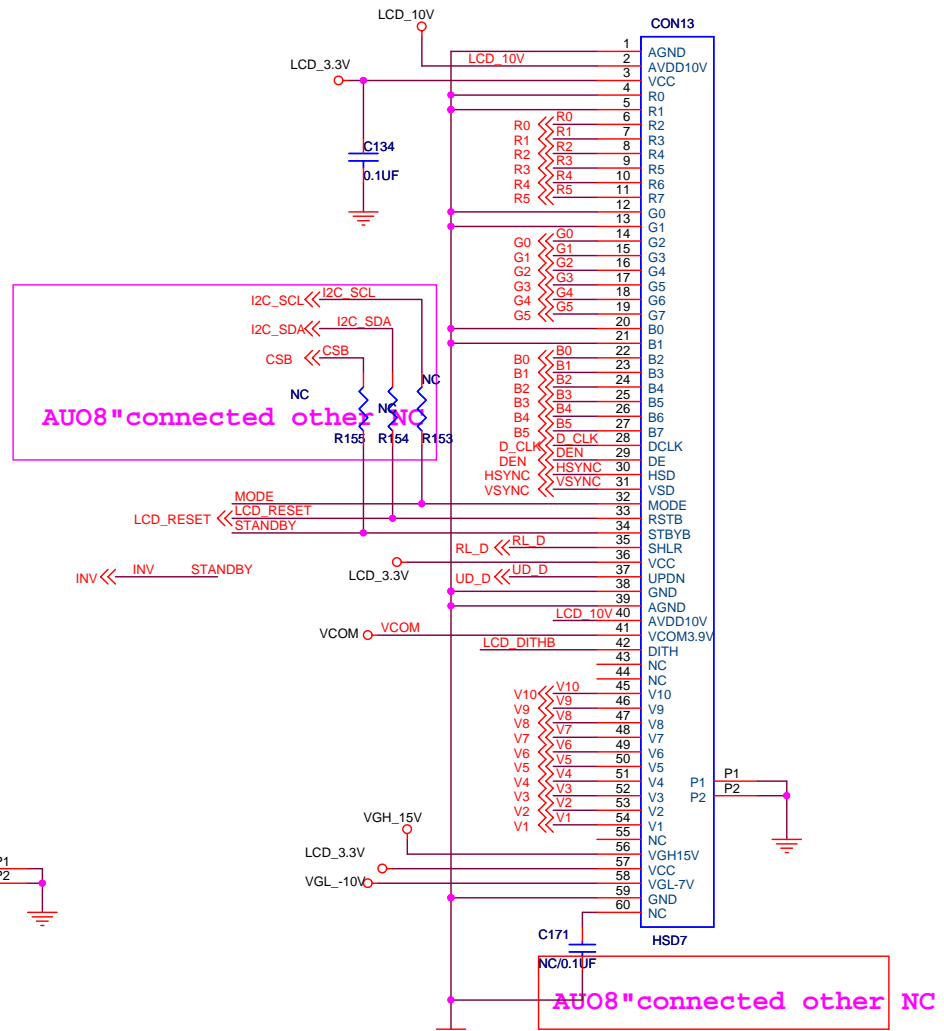
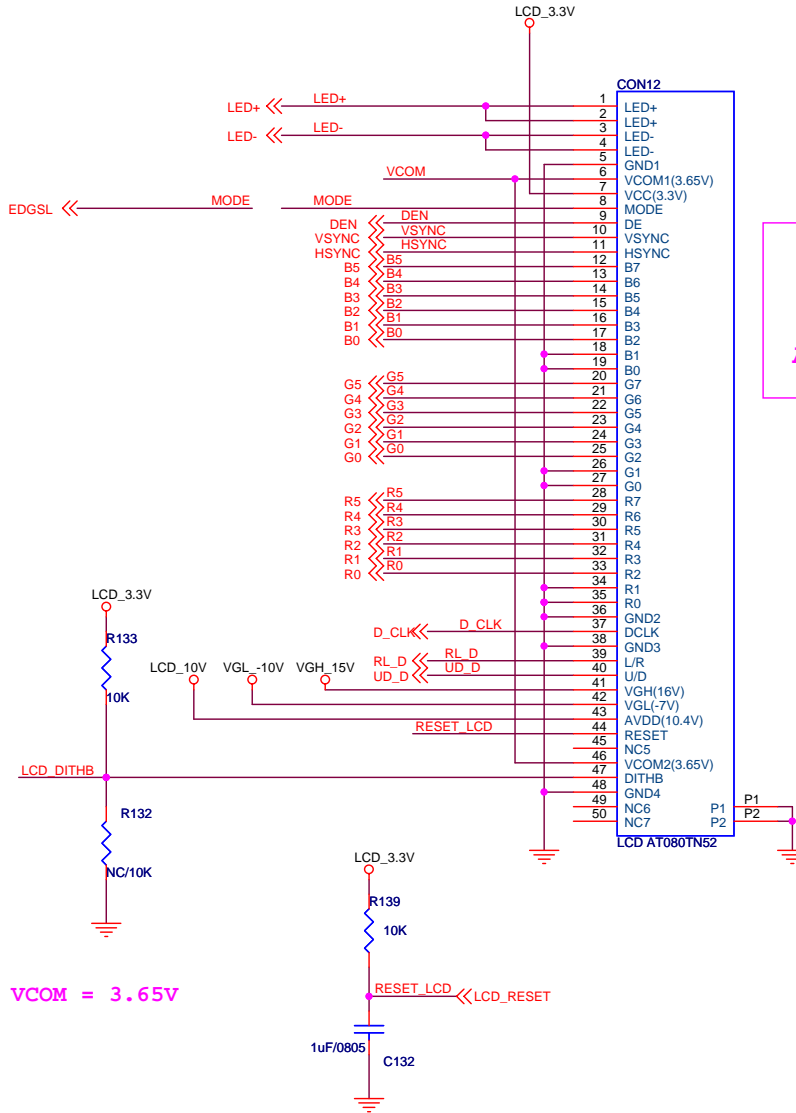
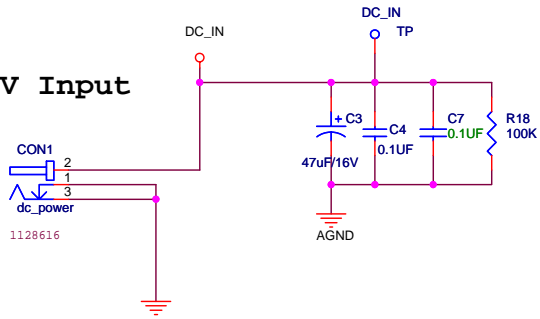


AUO 8" VCOM = 4.1V INNOLUX 8" VCOM = 3.65V

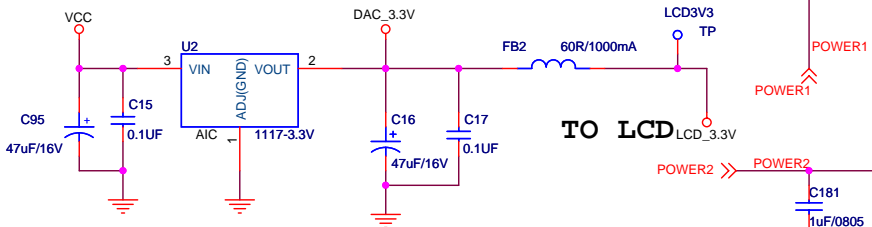


Title		<Title>
Size	Document Number	Rev
B	<Doc>	<RevCode>
Date:	Wednesday, July 15, 2009	Sheet 1 of 1

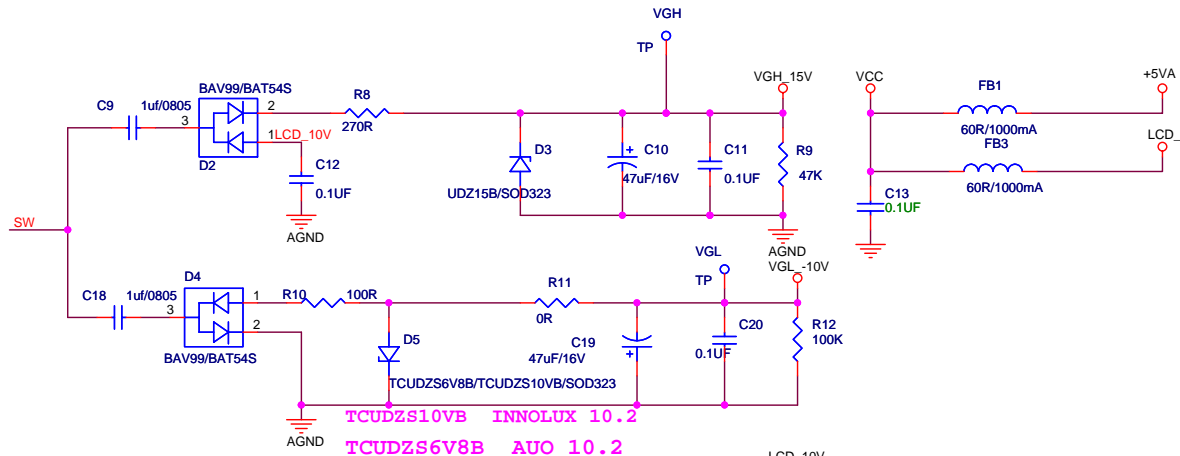
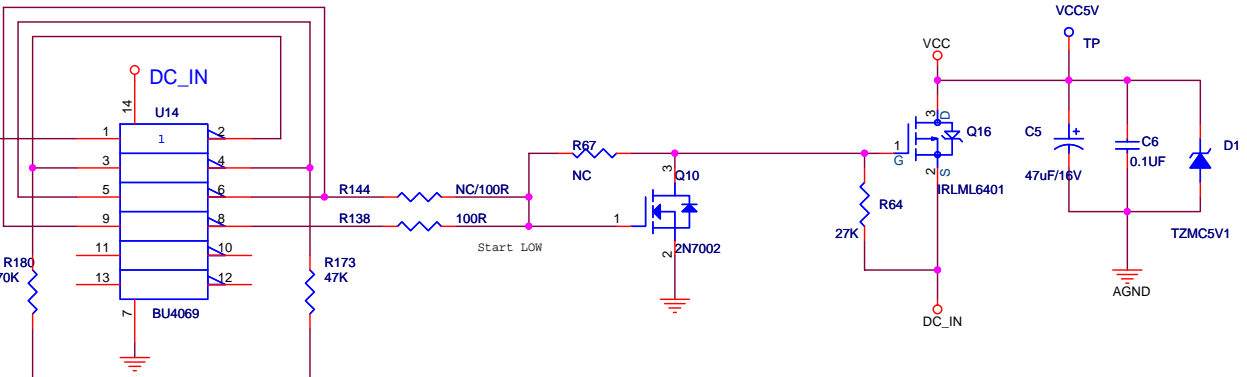
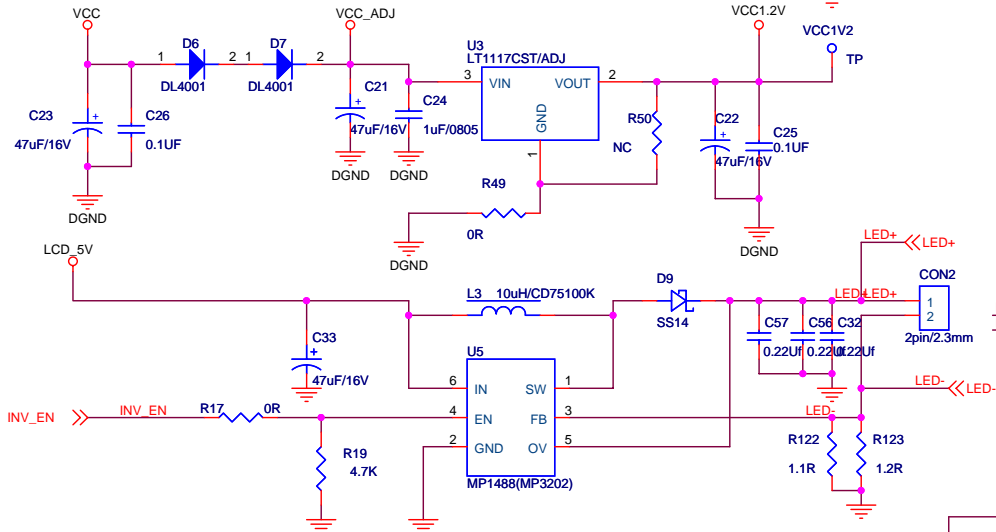
5V Input



TO Decoder



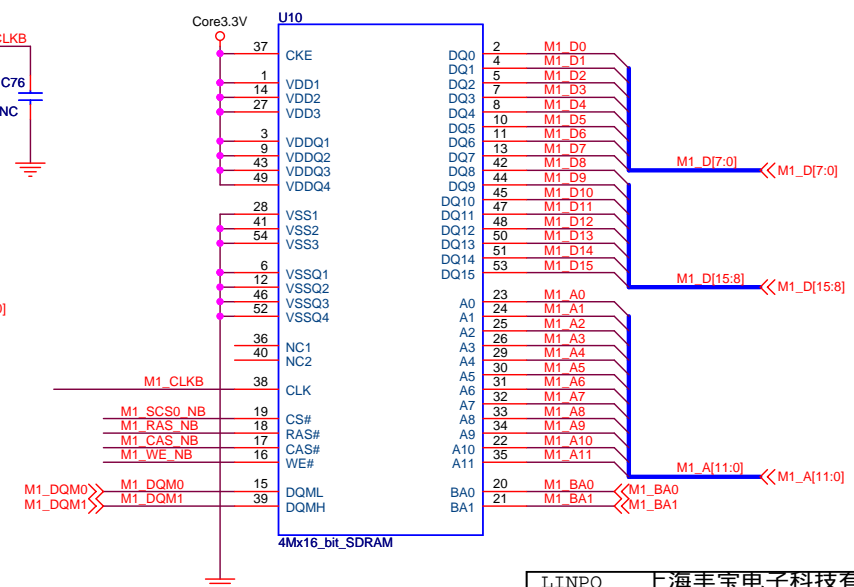
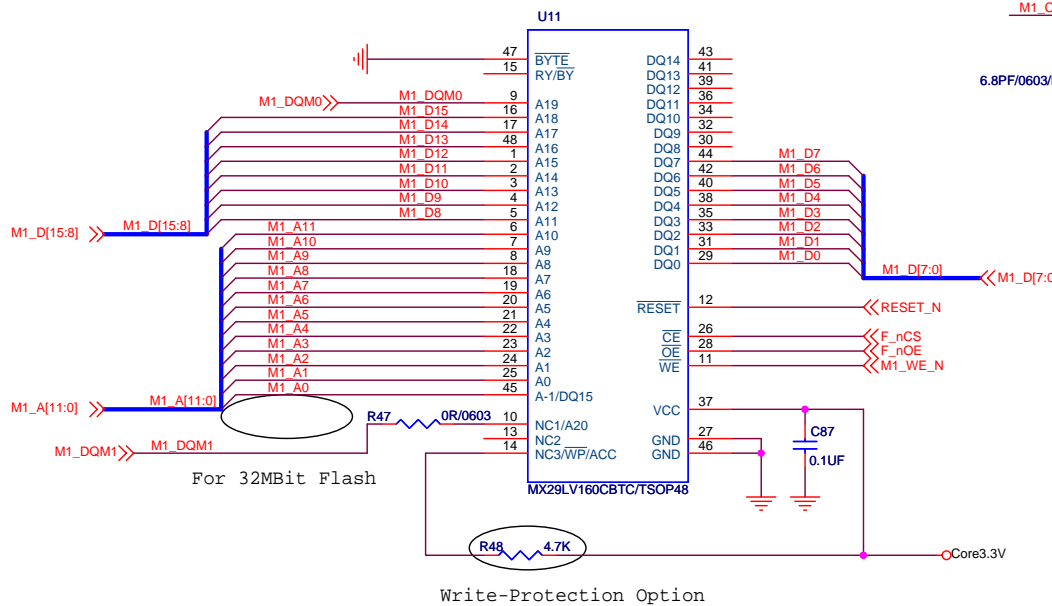
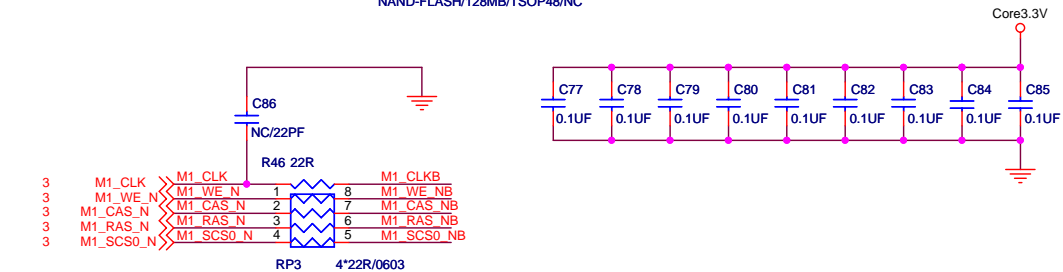
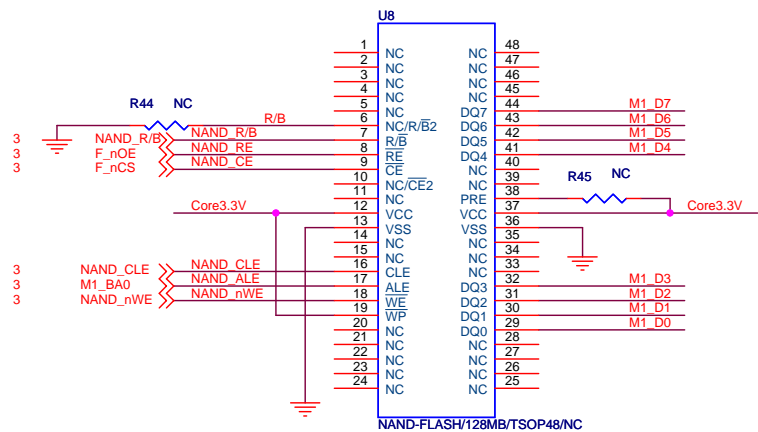
TO LCD



TCUDZS10VB INNOLUX 10.2
 TCUDZS6V8B AUO 10.2

$V_o = 1.23 * (1 + R1/R2)$ INNOLUX 10.2 LCD_10V = 9.2V

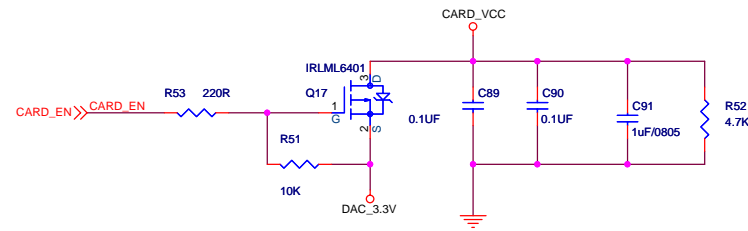
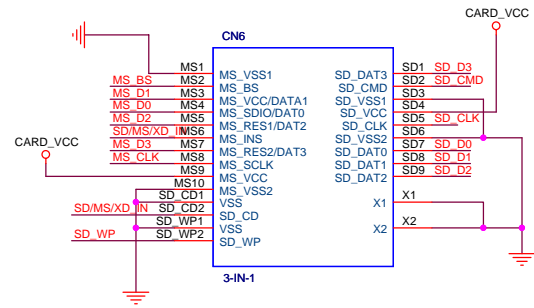
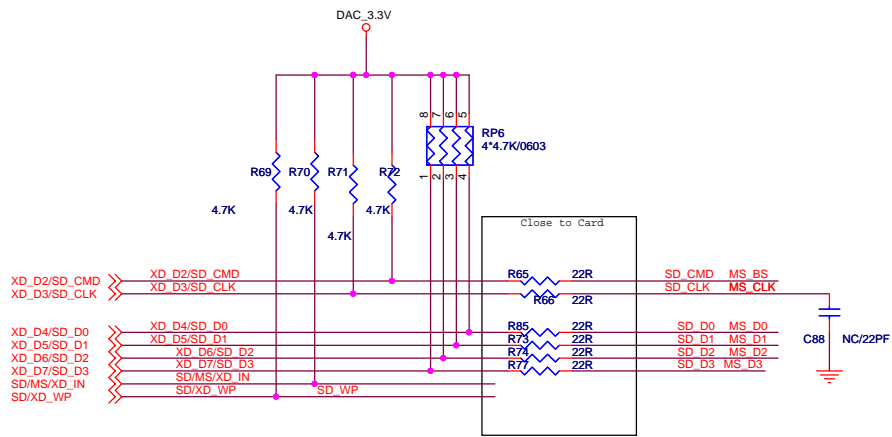
LINPO 上海丰宝电子科技有限公司深圳分公司		
Title Digital DPF Reference Design using AML6210DP		
Size B	Document Number POWER	Rev 1.0
Date: Wednesday, July 22, 2009	Sheet 2	of 10



Write-Protection Option

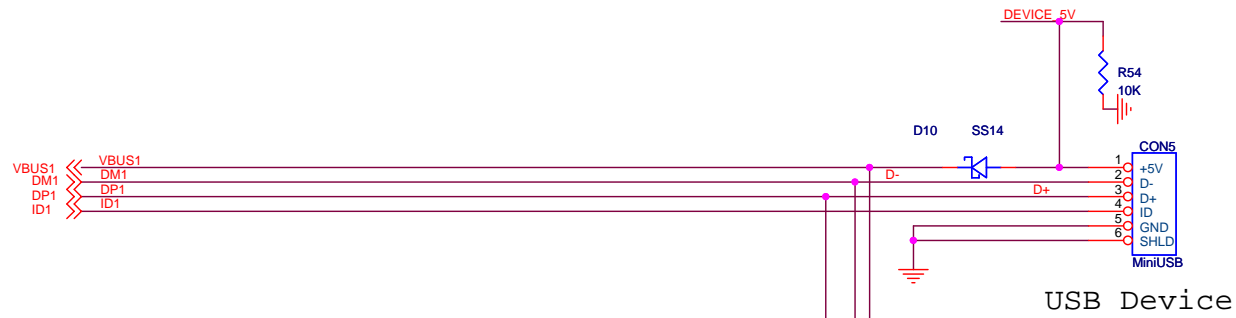
It's for option

LINPO 上海丰宝电子科技有限公司深圳分公司		
Title Digital DPF Reference Design using AML6210DP		
Size B	Document Number MENORY	Rev 1.0
Date: Wednesday, July 15, 2009	Sheet 4	of 10

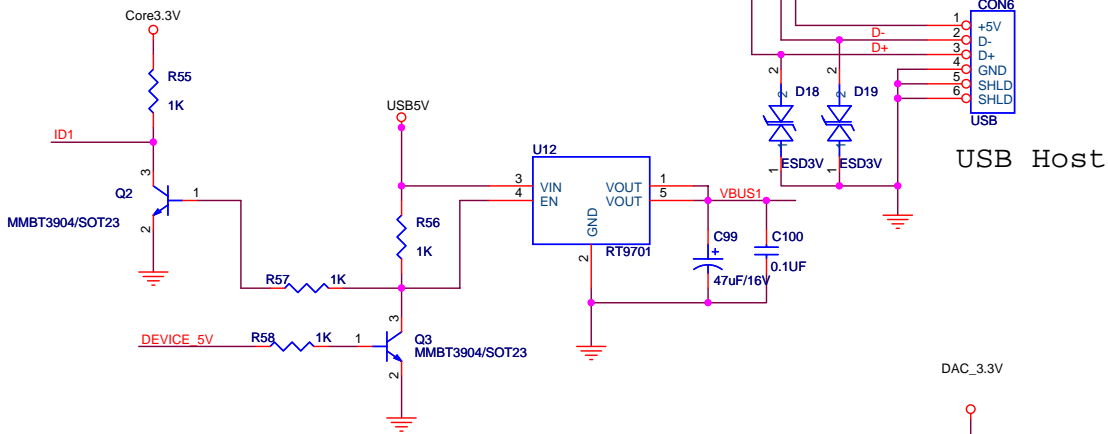


LINPO 上海丰宝电子科技有限公司深圳分公司		
Title Digital DPF Reference Design using AML6210DP		
Size	Document Number	Rev
Custom	CARD	1.0
Date:	Wednesday, July 15, 2009	Sheet 5 of 10

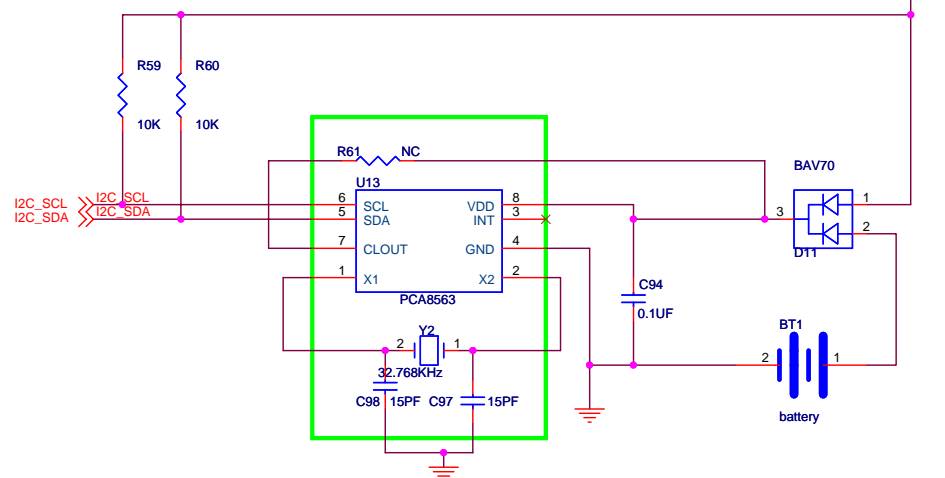
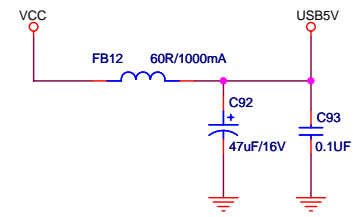
3
3
3



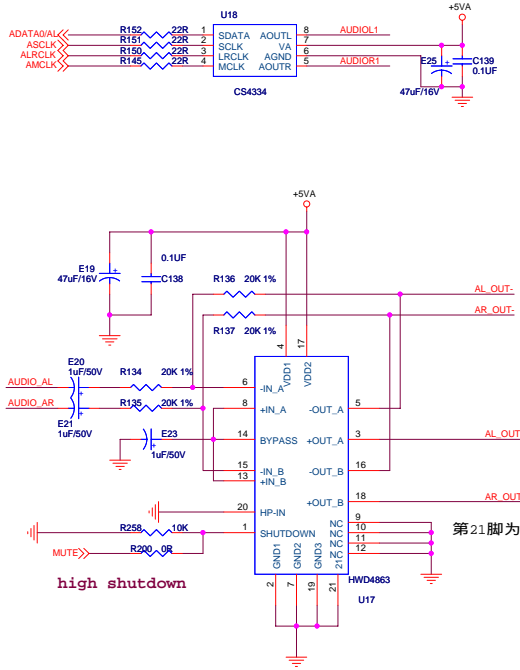
USB Device



USB Host

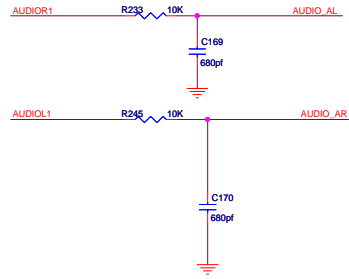


LINPO 上海丰宝电子科技有限公司深圳分公司		
Title Digital DPF Reference Design using AML6210DP		
Size B	Document Number USB&RTC	Rev 1.0
Date: Wednesday, July 15, 2009	Sheet 6	of 10



第21脚为IC底部散热焊盘

high shutdown



CON7

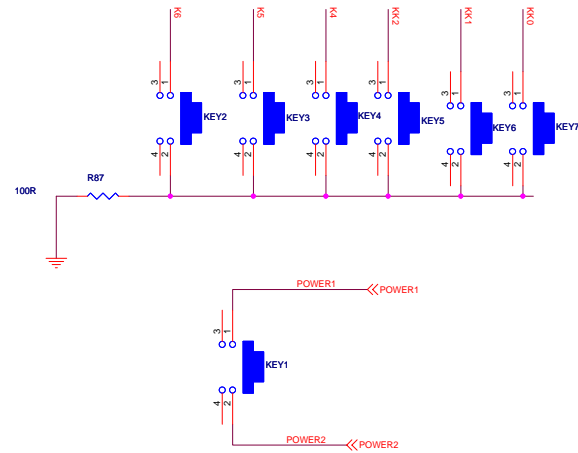
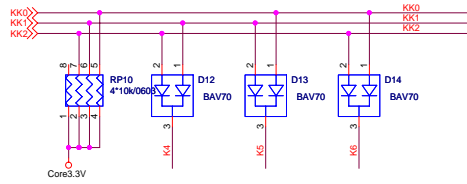


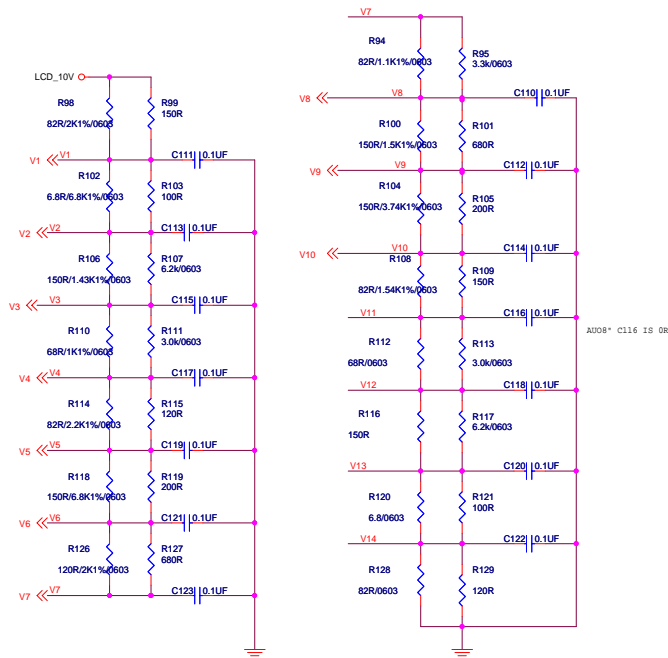
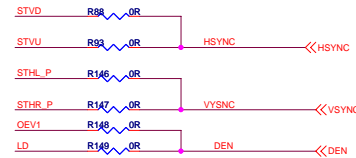
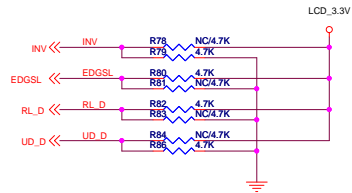
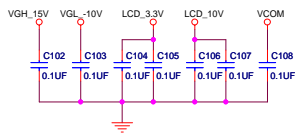
DIP2P_1.25MM

CON8

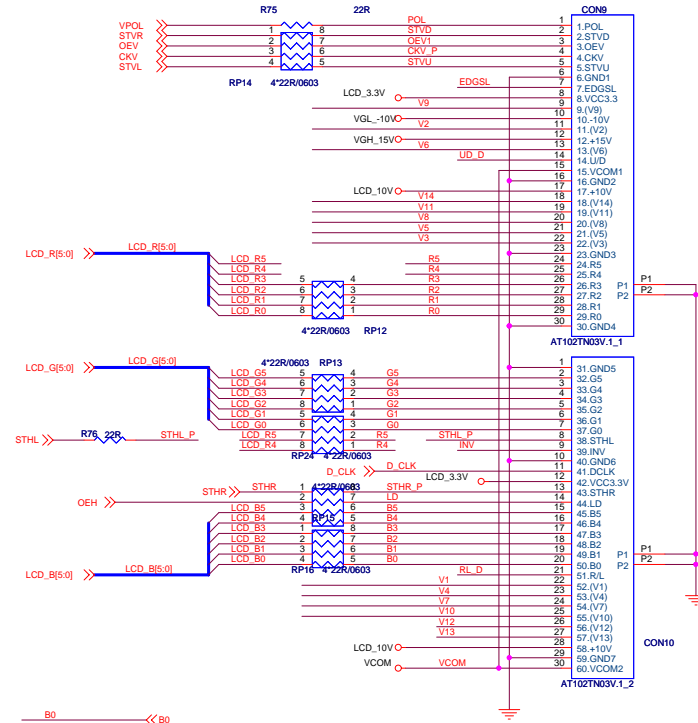


DIP2P_1.25MM





LCD Interface Gammar Votage



LCD Interface

