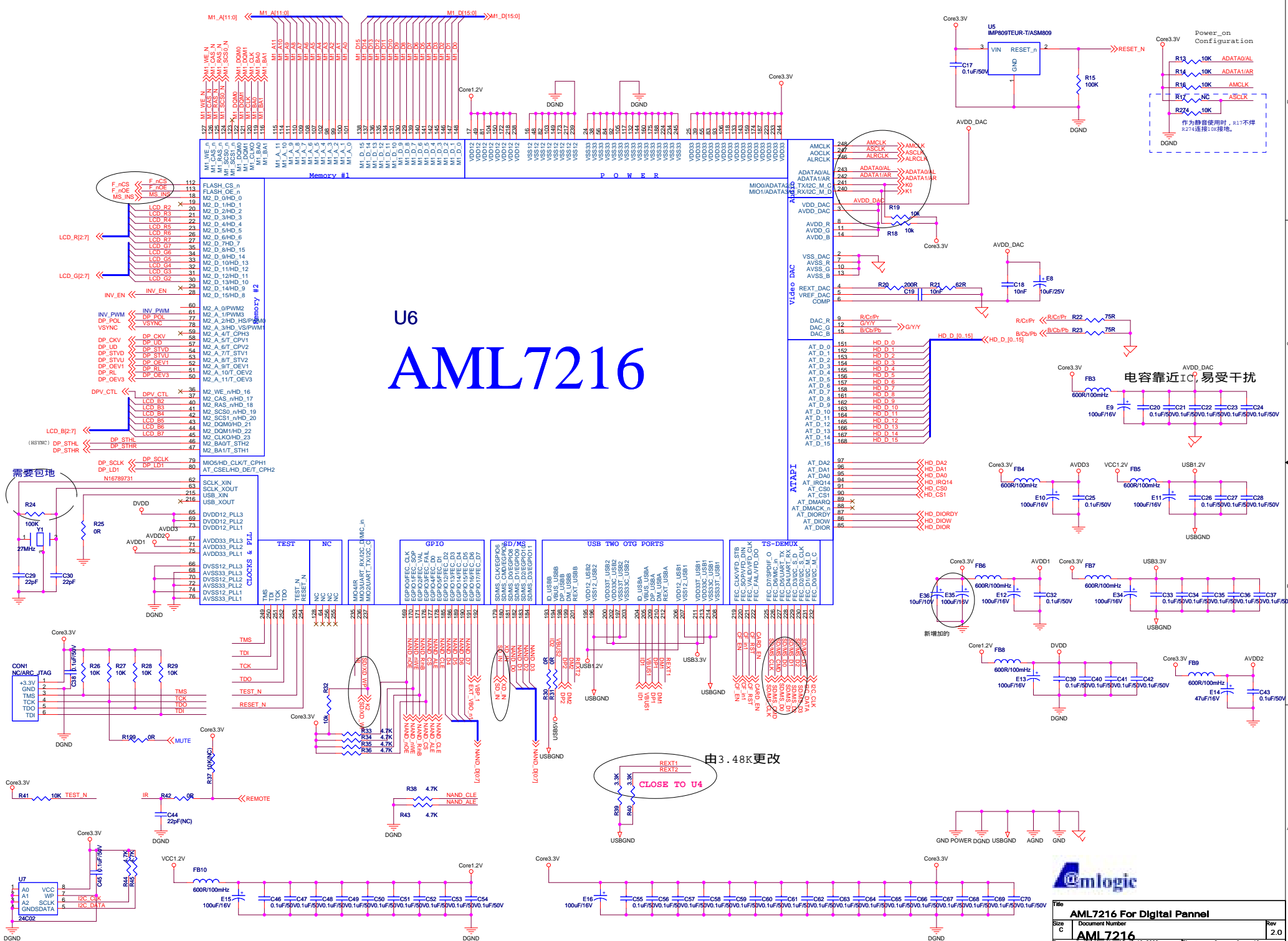


Title		AML7216 For Digital Panel	
Size	Document Number		
Customer	POWER	Date:	Thursday, March 20, 2008
Rev	2.0	Sheet	1 of 16

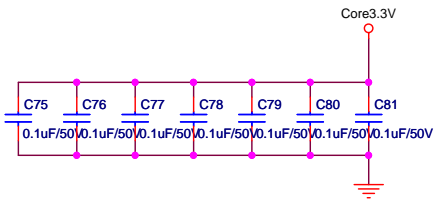
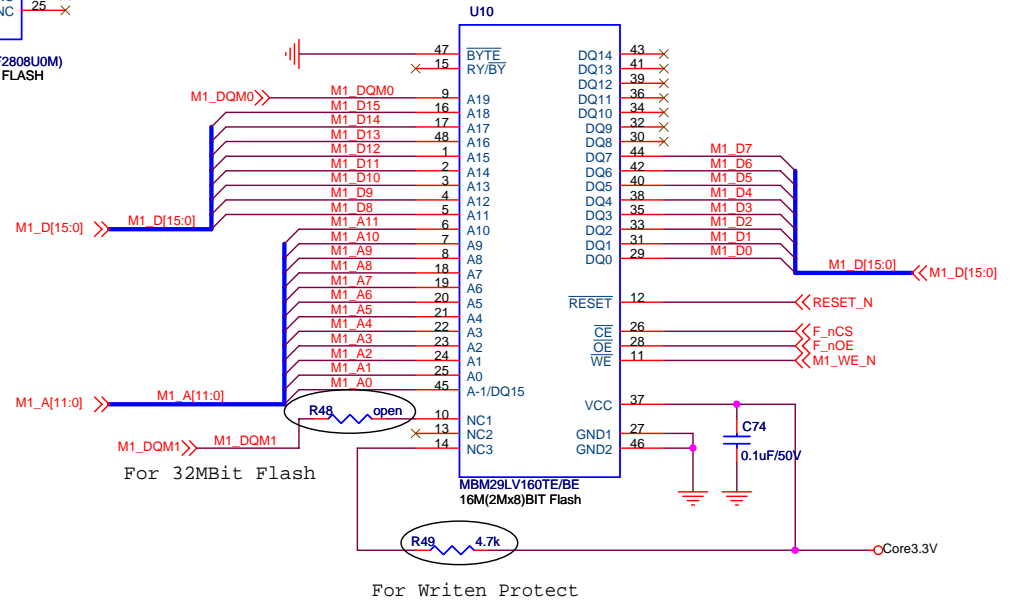
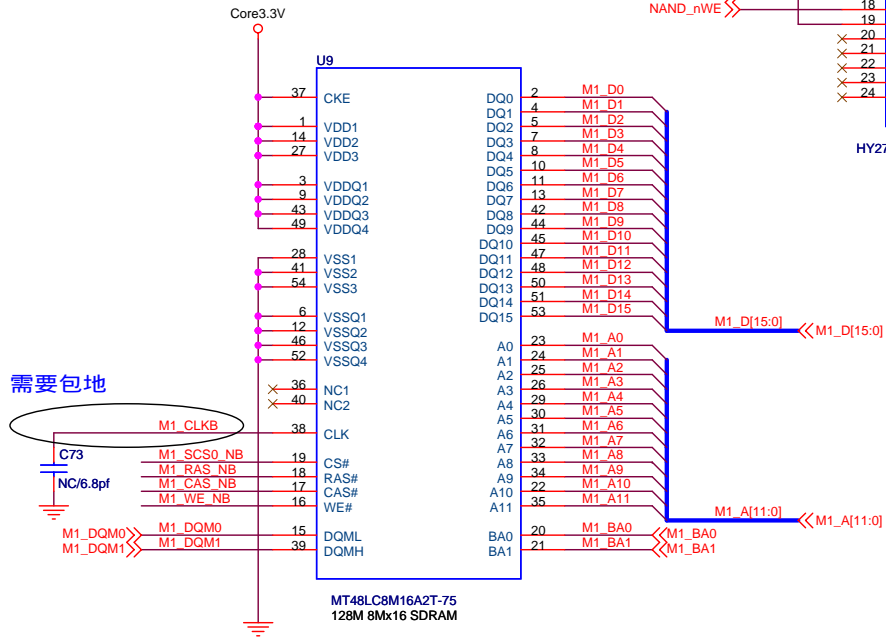
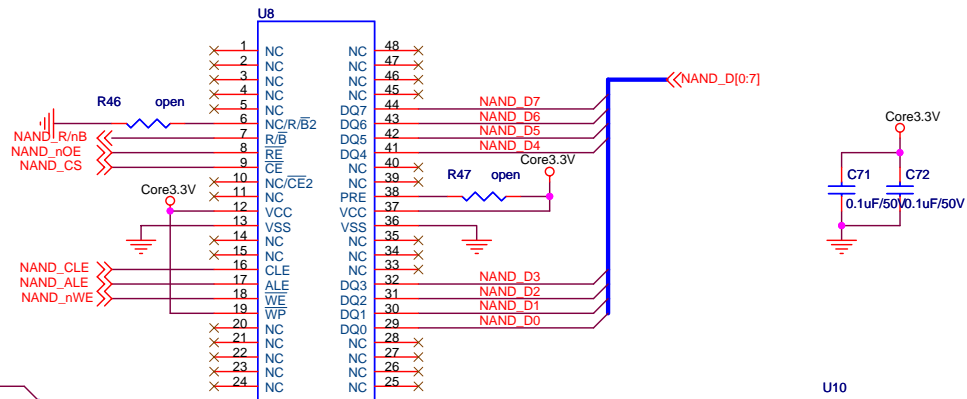
U6 AML7216



电容靠近IC, 易受干扰

由3.48K更改
CLOSE TO U4

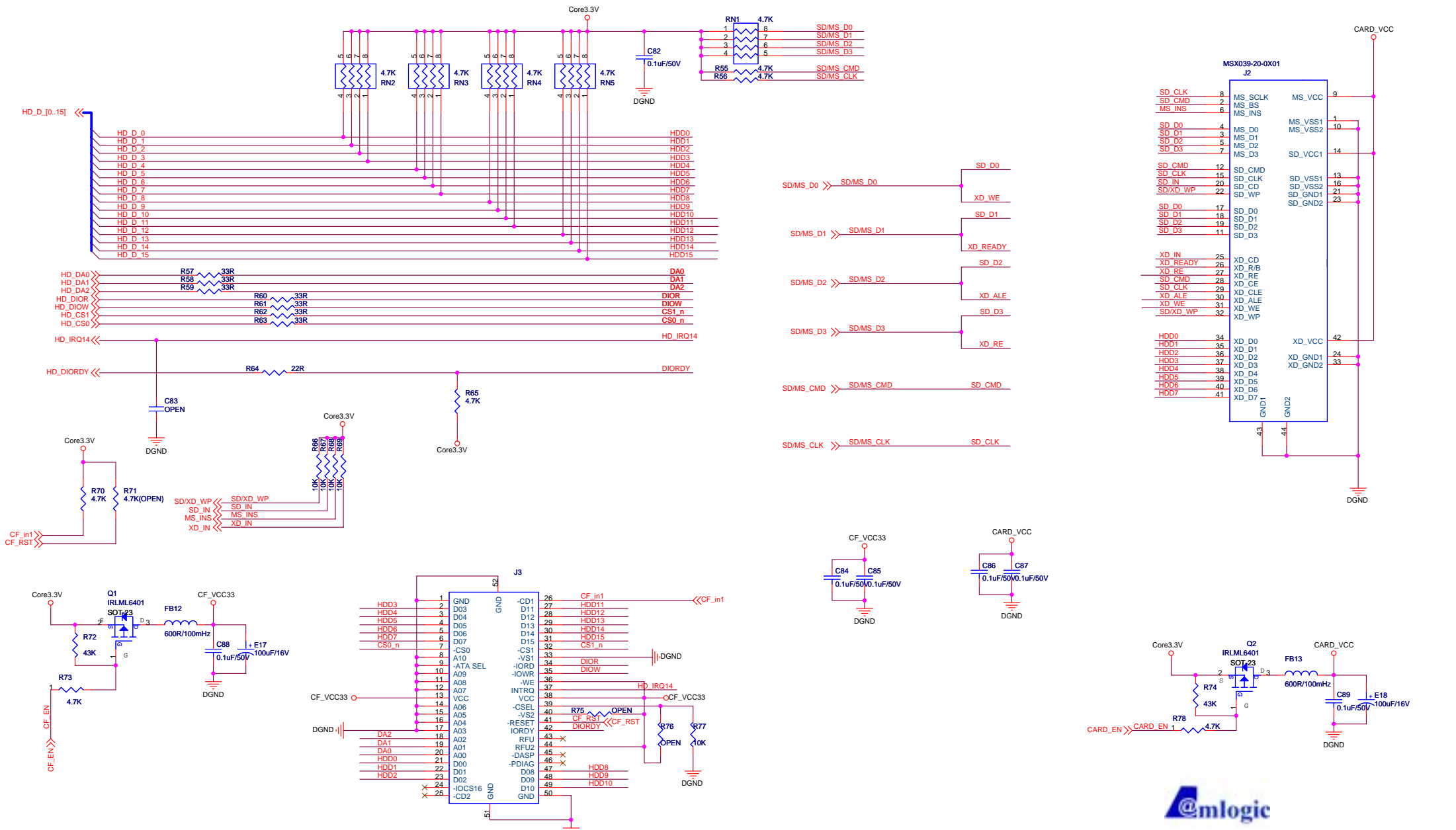




M1_CLK	M1_CLK	R50	39	M1_CLKB
M1_WE_N	M1_WE_N	R51	0	M1_WE_NB
M1_CAS_N	M1_CAS_N	R52	0	M1_CAS_NB
M1_RAS_N	M1_RAS_N	R53	0	M1_RAS_NB
M1_SCS0_N	M1_SCS0_N	R54	0	M1_SCS0_NB

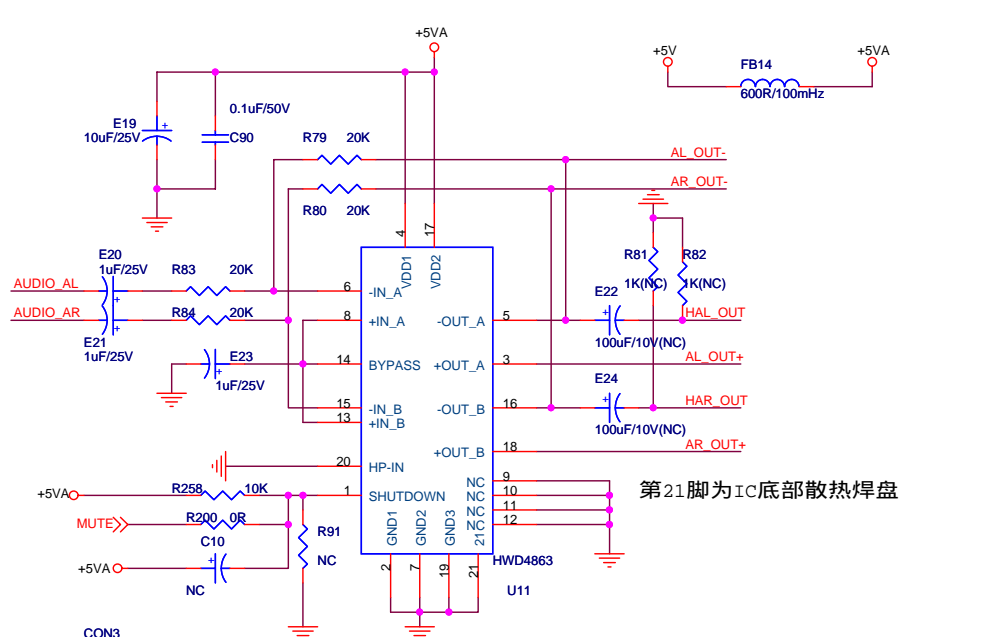


Title		
AML7216 For Digital Panel		
Size	Document Number	Rev
B		2.0
MEMORY		
Date:	Tuesday, December 04, 2007	Sheet 3 of 16

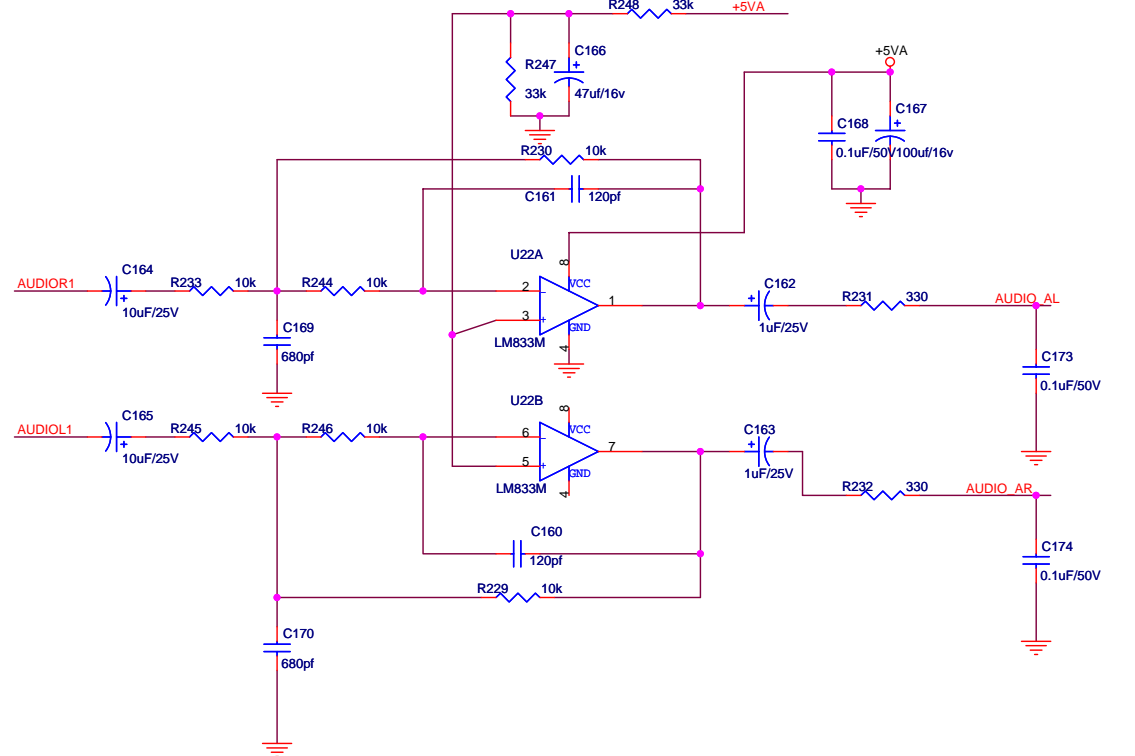
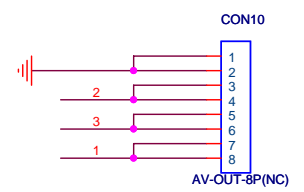
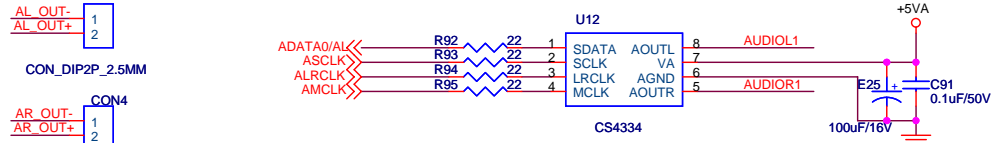


Amlogic

Title		
AML7216 For Digital Panel		
Size	Document Number	Rev
Custom		2.0
Date:	Wednesday, March 19, 2008	Sheet 4 of 16



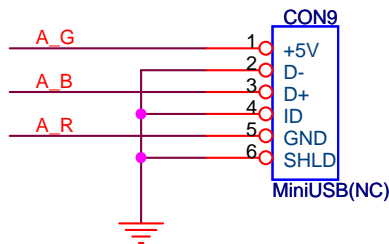
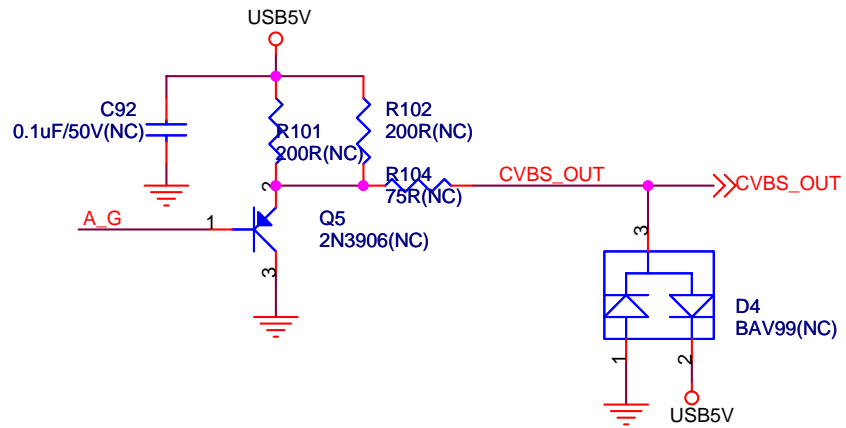
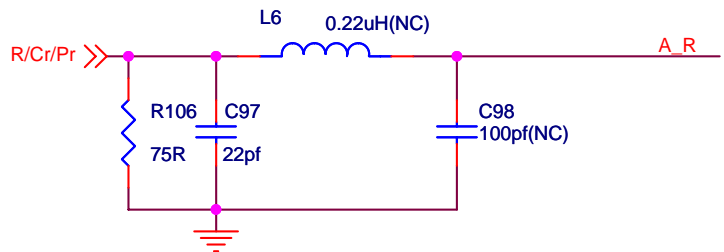
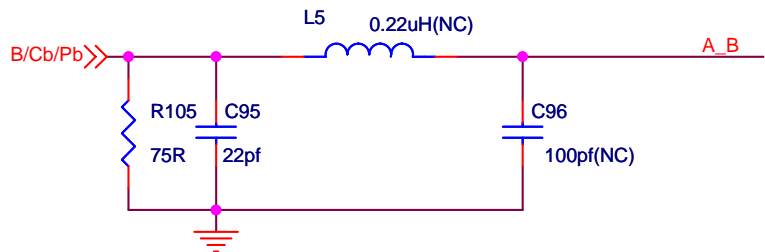
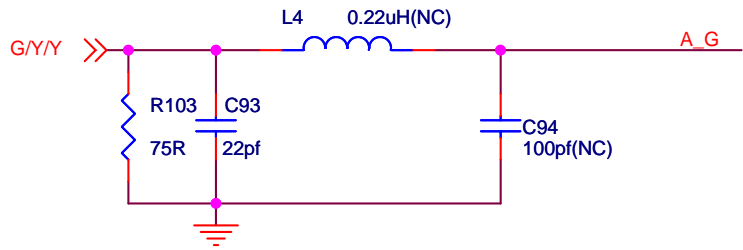
第21脚为IC底部散热焊盘



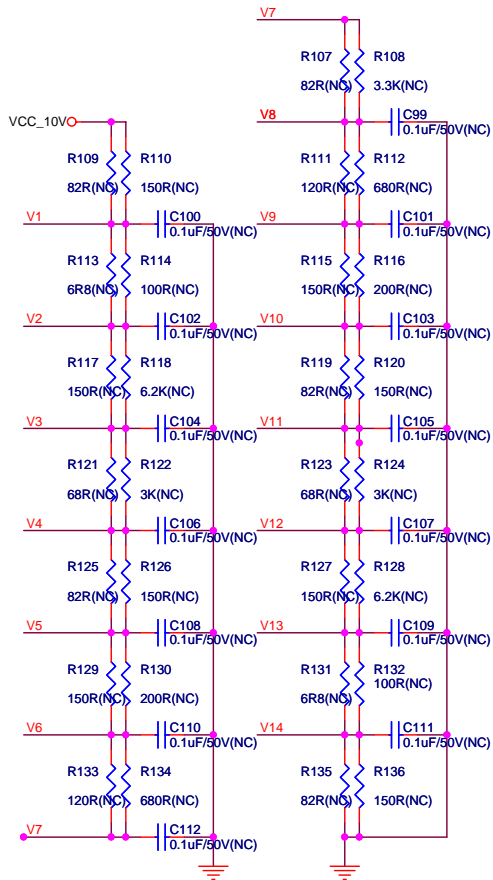
不用焊接



Title		DPF AML7216
Size	Document Number	
B	AUDION & OUTPORT	
Date:	Wednesday, June 18, 2008	Sheet 5 of 16
		Rev 2.0



Title		
<Title>		
Size	Document Number	Rev
A	<Doc>	3.0
Date:	Thursday, November 01, 2007	Sheet 6 of 16



使用10寸AUO屏，
此页全部不用焊。

Remark1:

- 1.更改CF卡和SD卡不兼容问题(02.AML7216 04.CARD)
MS_INS From Pin226 to Pin18
SD/XD_WP From Pin227 to Pin236
SD_IN From Pin225 to Pin179
255Pin to 230Pin net changed

2.更改LVDS Panel控制部分

- OEV3连接SN75LVDS84A 的 D20
- DP_STHL 连接 SN75LVDS84A的D18 作为Hsync

3.更改USB部分

- Q16反向，删除R119 1.0K

Remark2:

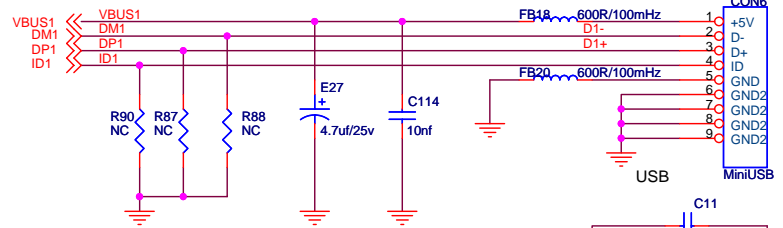
1.若采用触摸屏，则

- TSC2003 中断脚用 AML7216 MIO1 Pin240 来做，K1改到(AML7216 MIO3 Pin236)脚，SD/XD_WP改到(AML7216 M2_WE_n Pin36)脚上

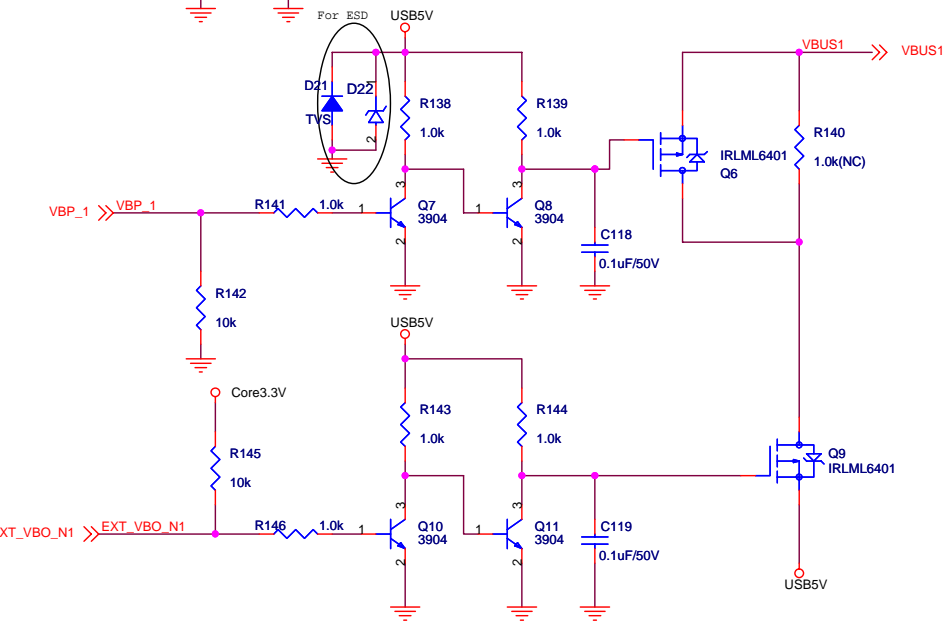
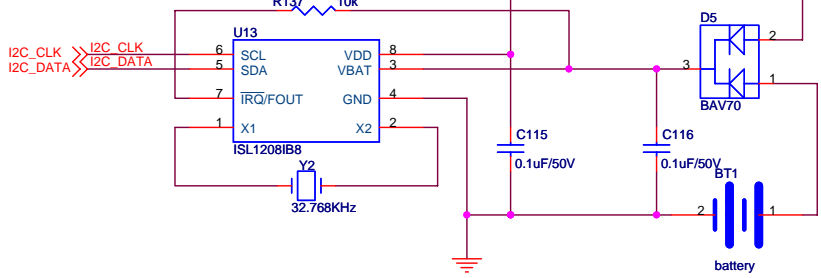
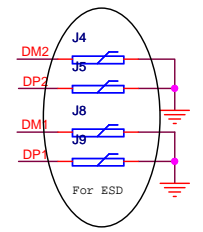
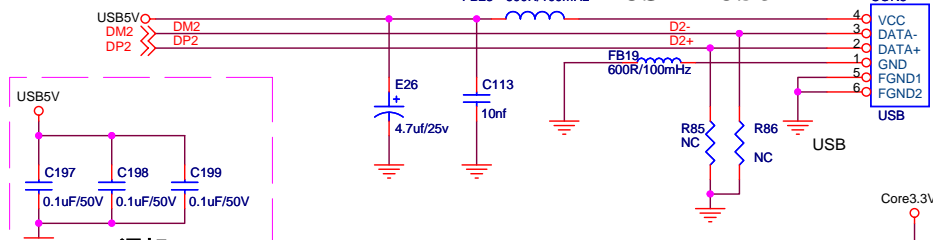


Title		
AML7216 For Digital Pannel		
Size	Document Number	Rev
B	GAMMA	2.0
Date:	Thursday, November 01, 2007	Sheet 7 of 16

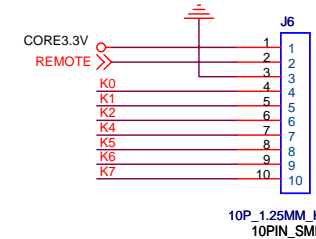
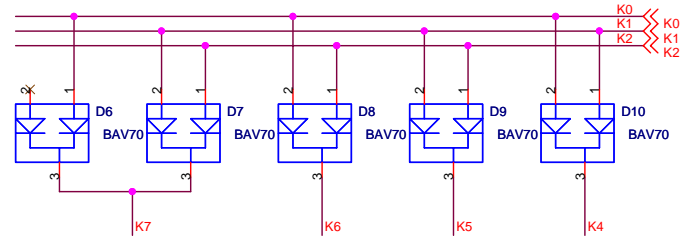
USB OTG



USB Host



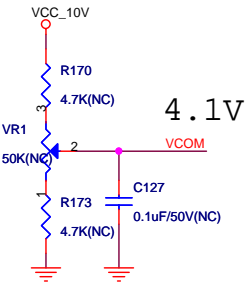
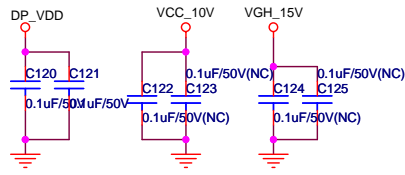
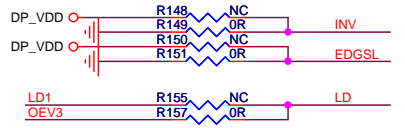
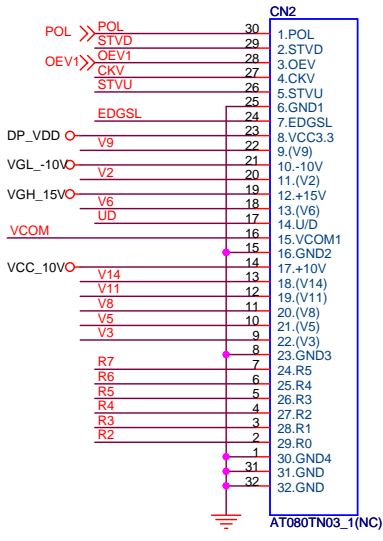
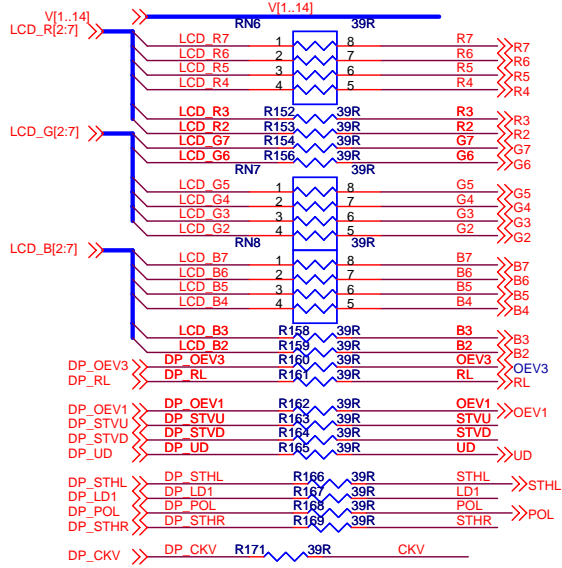
SCAN INPUT GET NET	K1	K2	K3
OUTPUT			
NET K0=0	IF K1=0 KEY2 IS	IF K2=0 KEY3 IS	IF K3=0 KEY5 IS
NET K1=0	IF K1=1 KEY2 IS	IF K2=1 KEY3 IS	IF K3=1 KEY5 IS
	DOWN	DOWN	DOWN
	UP	UP	UP



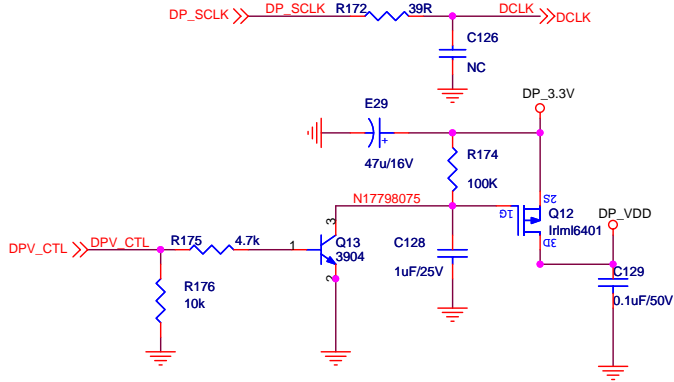
去掉多余不用的插针，
换成10pin贴片插座。
与按键板对应：
1-10, 2-9, 3-8。
供电改为CORE3.3V。



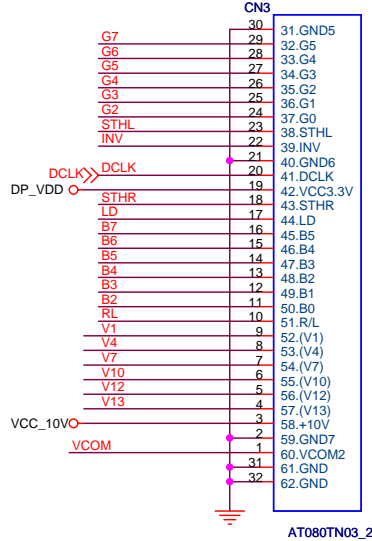
Title		
DPF AML7216		
Size	Document Number	Rev
B		2.0
Date:	Thursday, March 20, 2008	Sheet 8 of 16



使用AU010.4寸屏，部分电路NC。
使用AU010.2寸屏，(NC)器件都需要焊接。



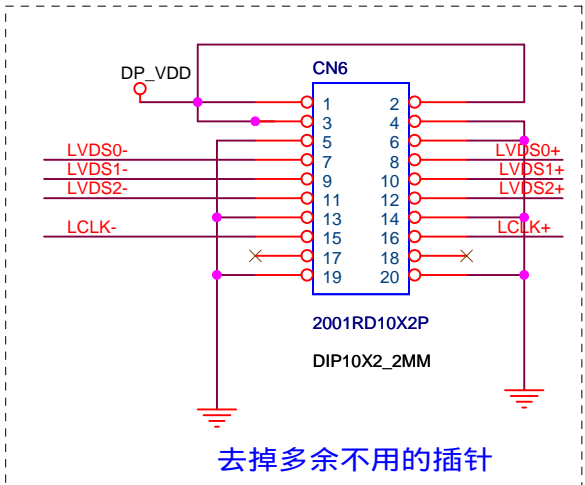
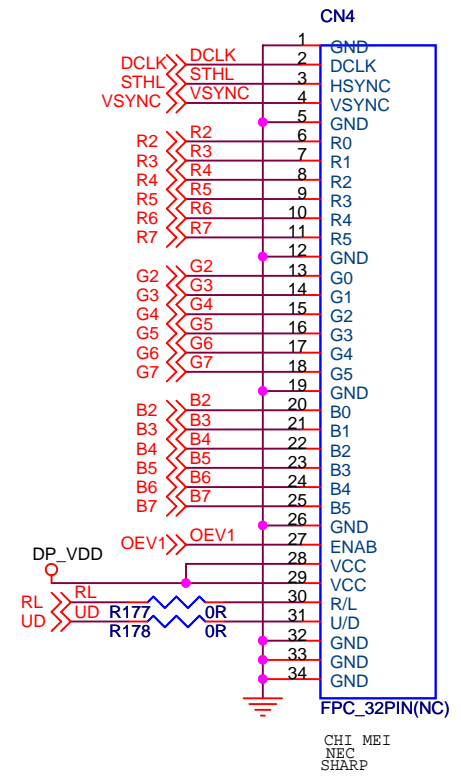
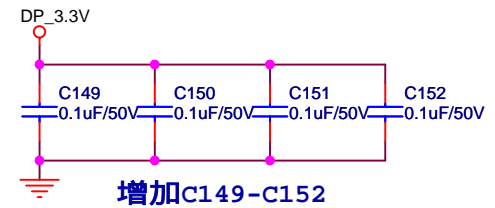
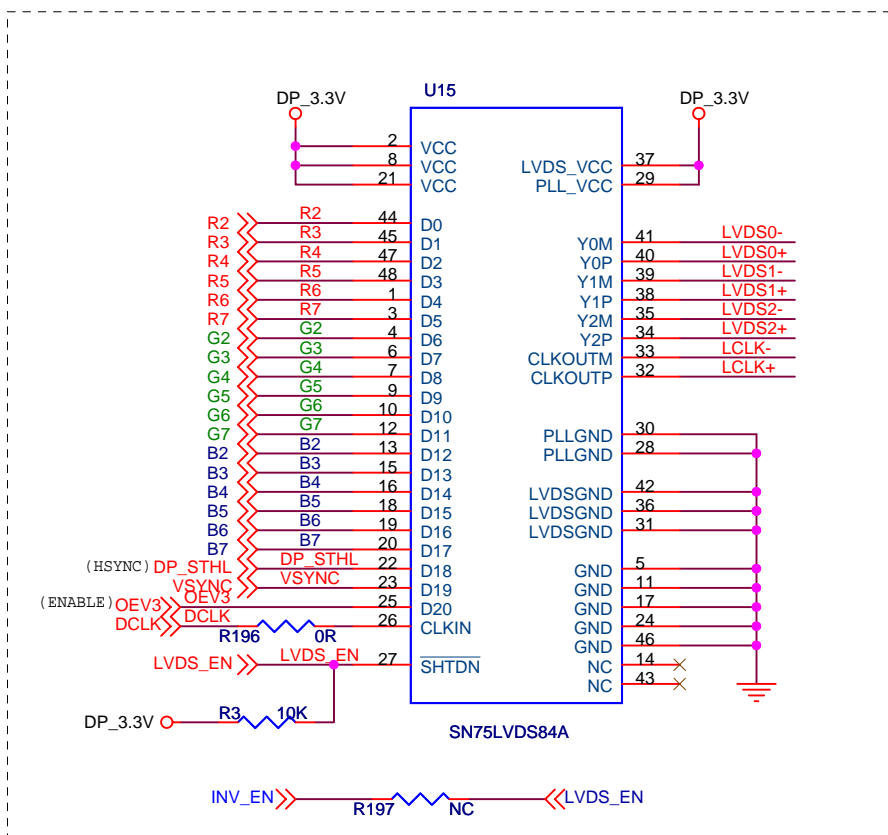
DP_VDD_CTL- Lo : DP_VDD = OFF
DP_VDD_CTL- Tri-state : DP_VDD = OFF
DP_VDD_CTL- Hi : DP_VDD = ON



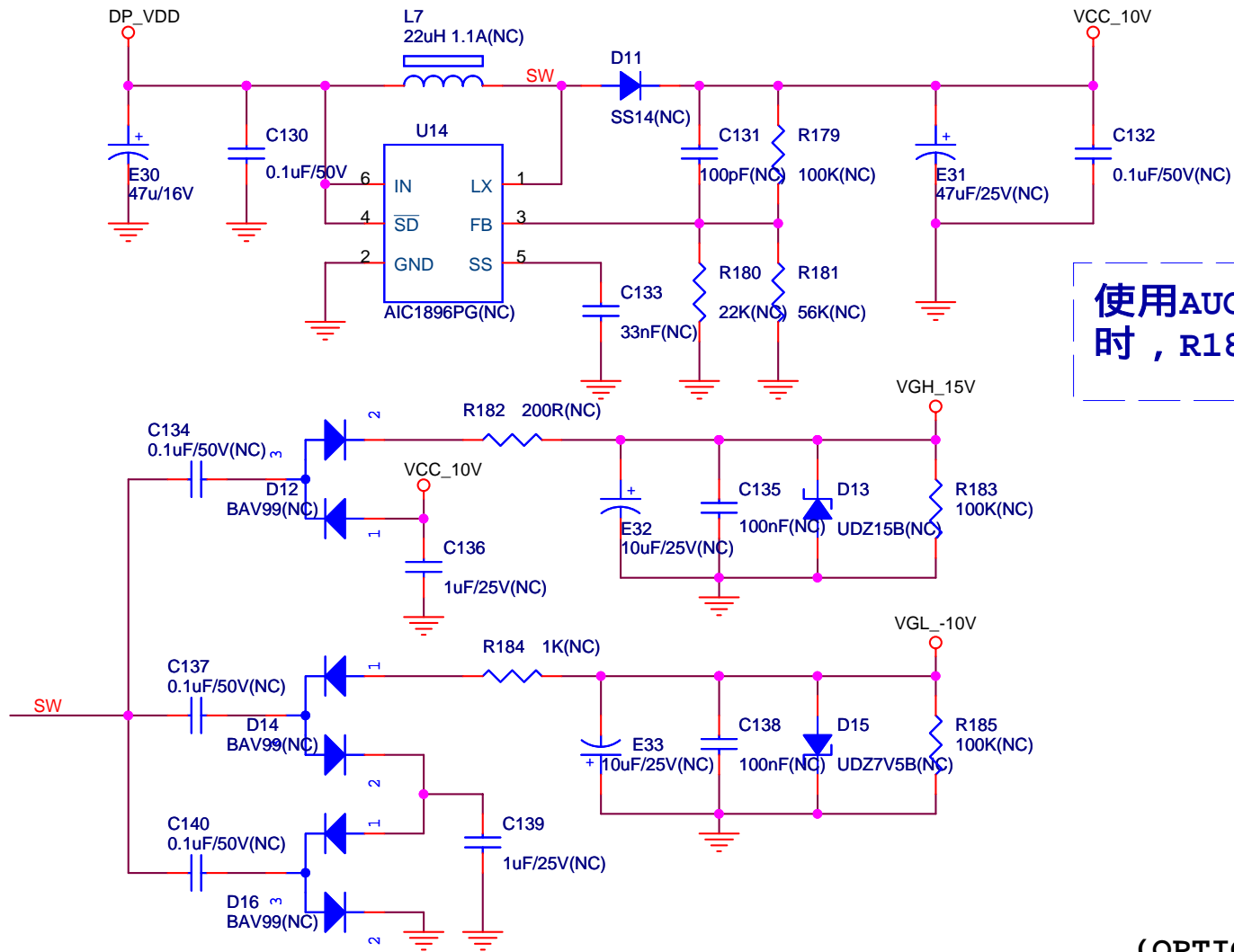
(OPTIONAL)



Title			AML7216 For Digital Panel		
Size	Document Number				Rev
B	DIGITAL PANEL				2.0
Date:	Thursday, January 10, 2008	Sheet	9	of	16



Title		
DPF4		
Size	Document Number	Rev
Custom	LVDS PANEL	3.0
Date:	Friday, January 11, 2008	Sheet 10 of 16



使用AUO 10.2"屏 (16 : 9)
时 , R181=56K, D15= UDZ7V5B

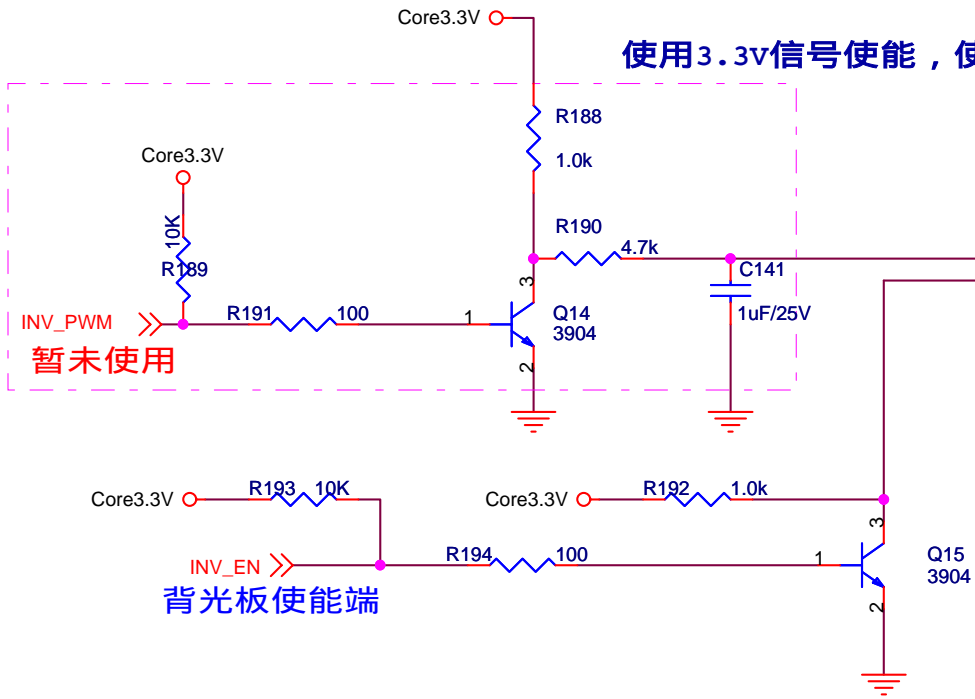
(OPTIONAL)

使用AUO10寸屏 , 这页电路NC。



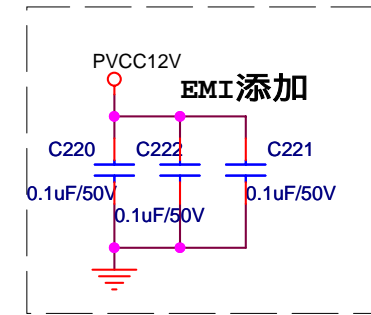
Title		
AML7216 For Digital Panel		
Size	Document Number	Rev
A	PANEL POWER	2.0
Date:	Monday, January 21, 2008	Sheet 11 of 16

使用3.3v信号使能，使用5v有问题。



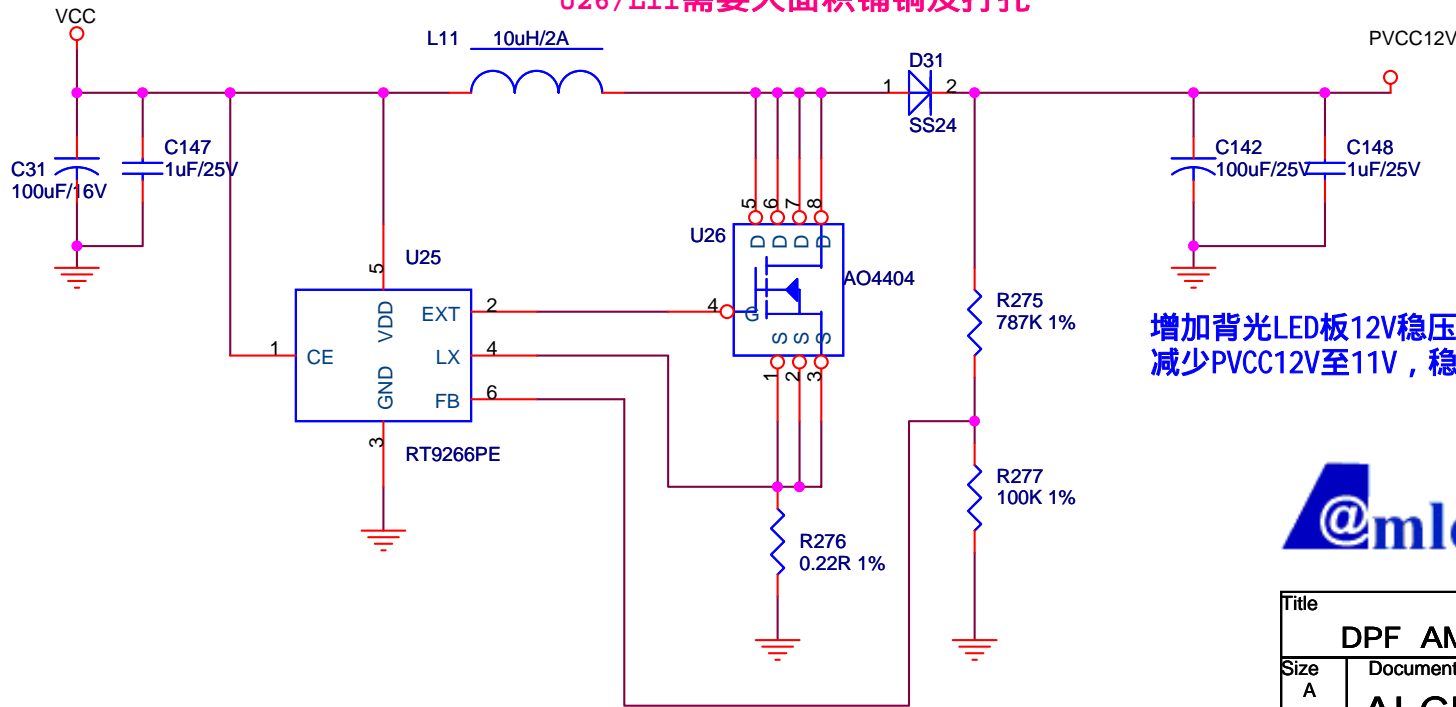
J7改为4PIN接口

INV_EN - Lo : INVERTER = ON
 INV_EN - Tri-state : INVERTER = ON
 INV_EN - Hi : INVERTER = OFF
 J7接口3输出高有效



EMI添加

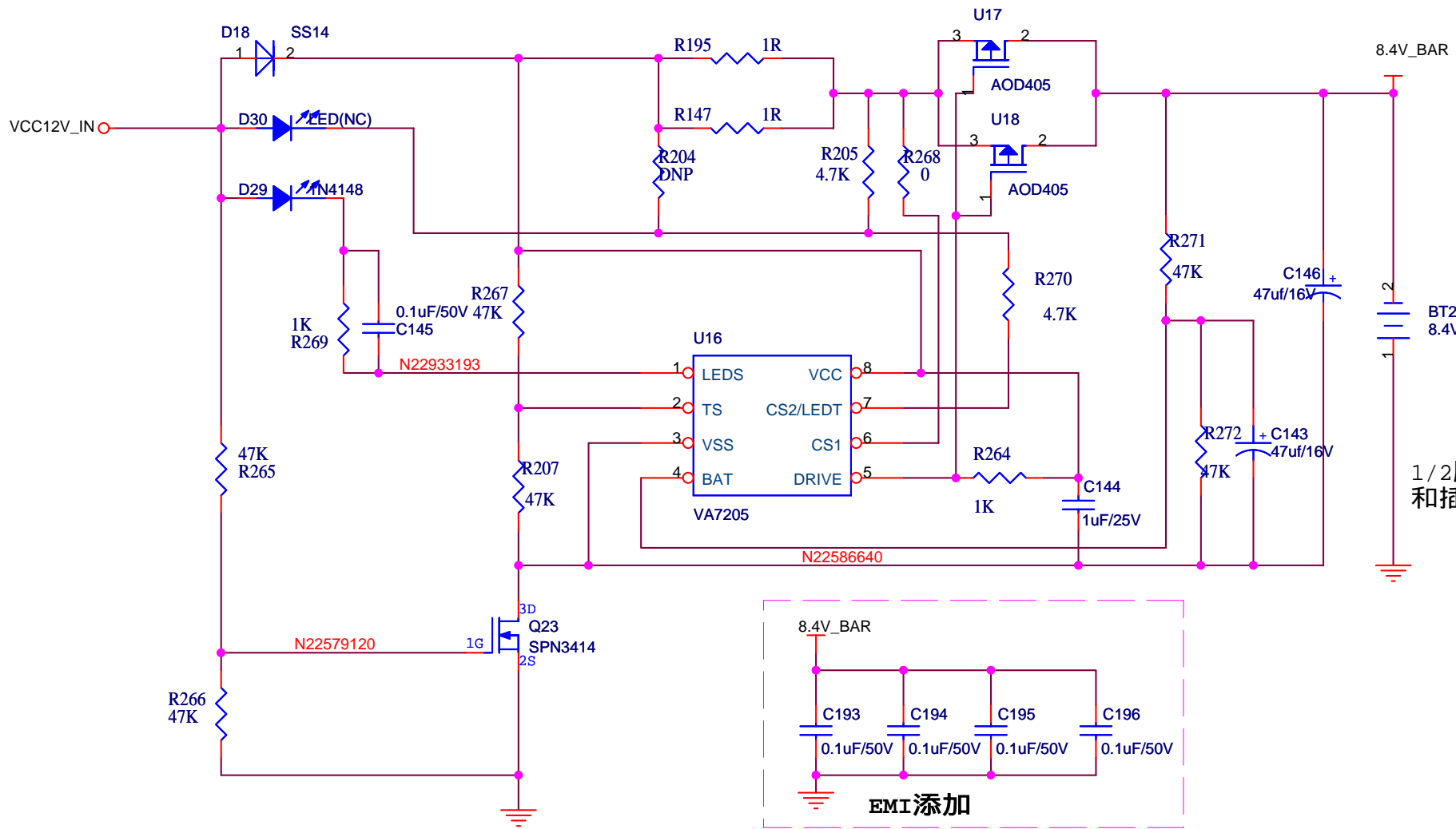
U26/L11需要大面积铺铜及打孔



增加背光LED板12V稳压电路
 减少PVCC12V至11V，稳定、延长锂电供电时间。

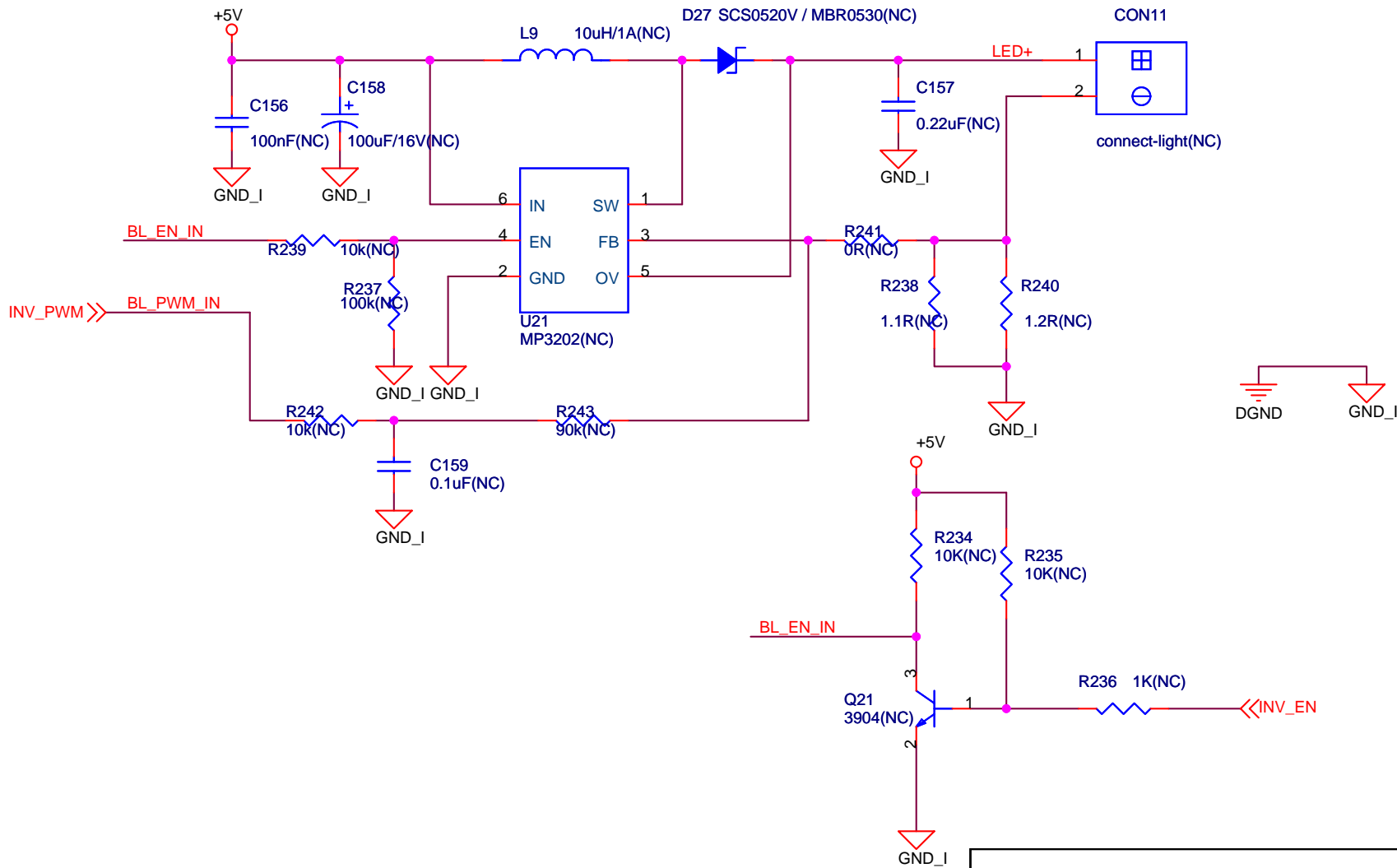


Title		
DPF AML7216		
Size	Document Number	Rev
A	ALCD_INV	2.0
Date:	Friday, January 11, 2008	Sheet 12 of 16



Title		
DPF4		
Size	Document Number	Rev
A	锂电池管理模块	2.0
Date:	Thursday, January 24, 2008	Sheet 13 of 15

使用AUO10寸屏(CCFL), 这页电路NC。



Title		
DPF4		
Size	Document Number	Rev
A	8寸背光接口	3.0
Date:	Thursday, January 24, 2008	Sheet 14 of 15