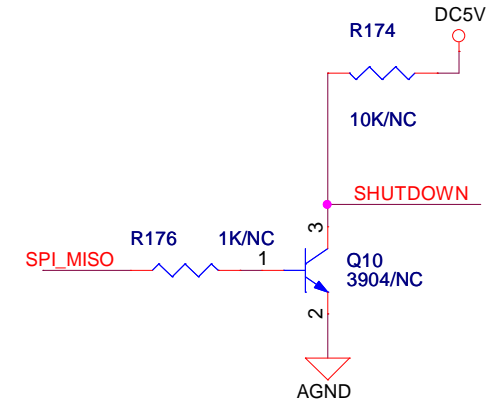
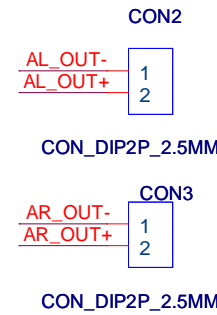
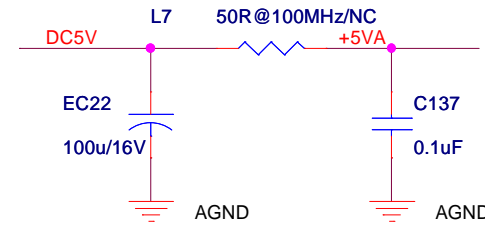
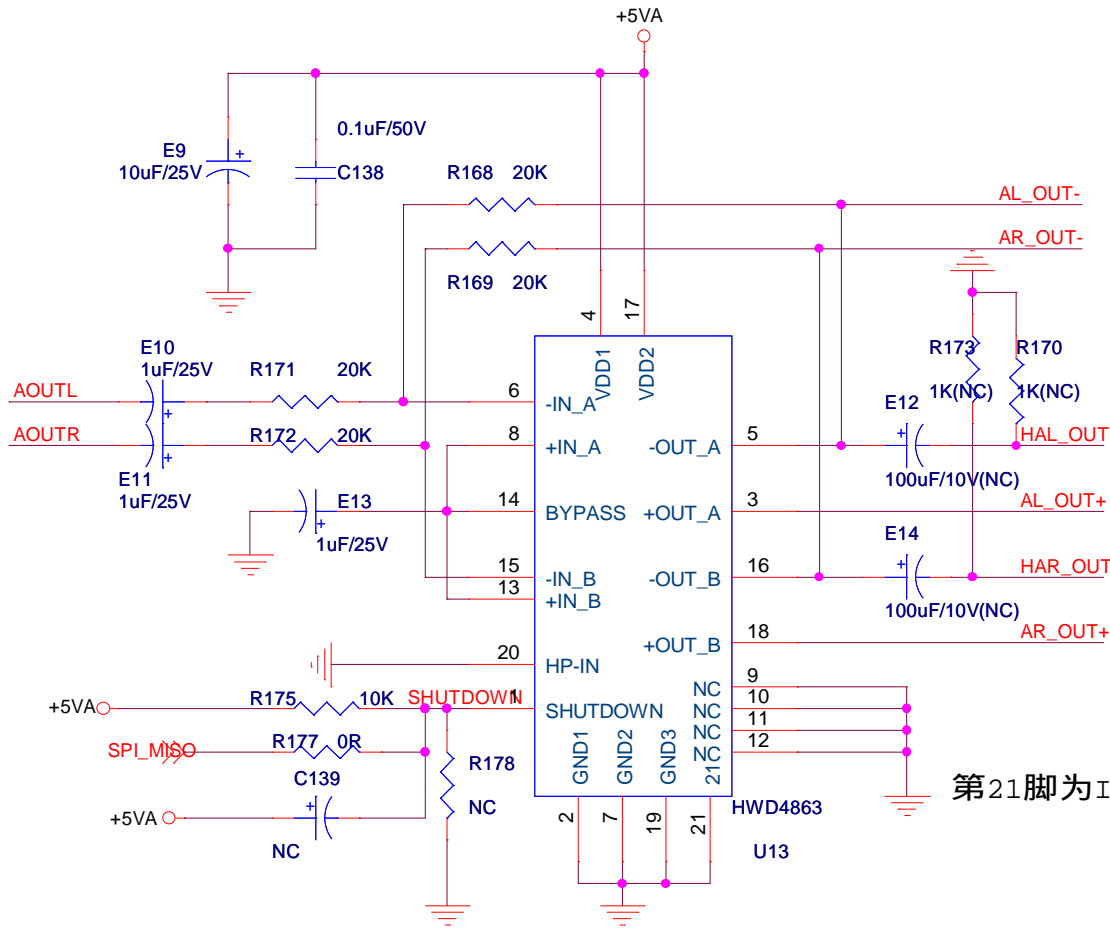


AUDIO MUTE CIRCUIT

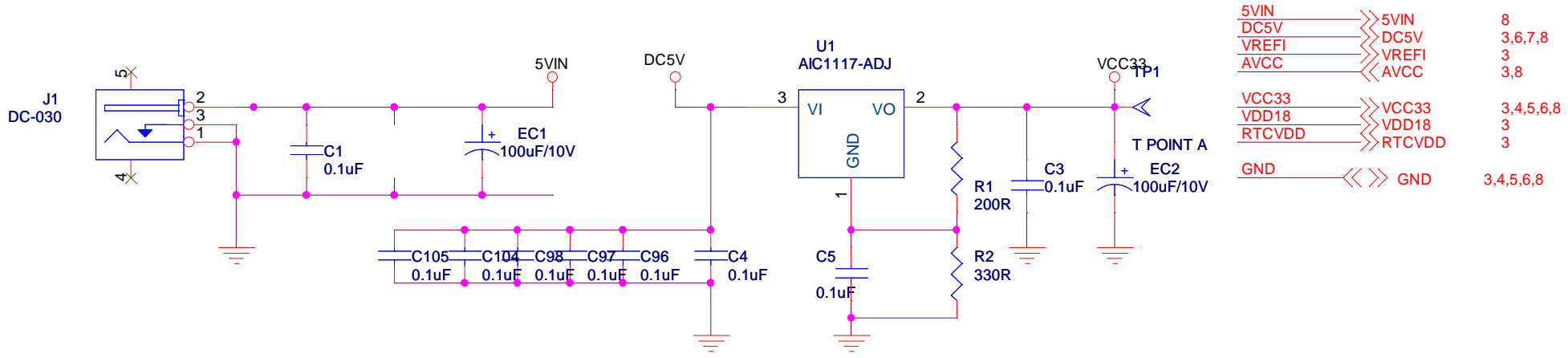


第21脚为IC底部散热焊盘

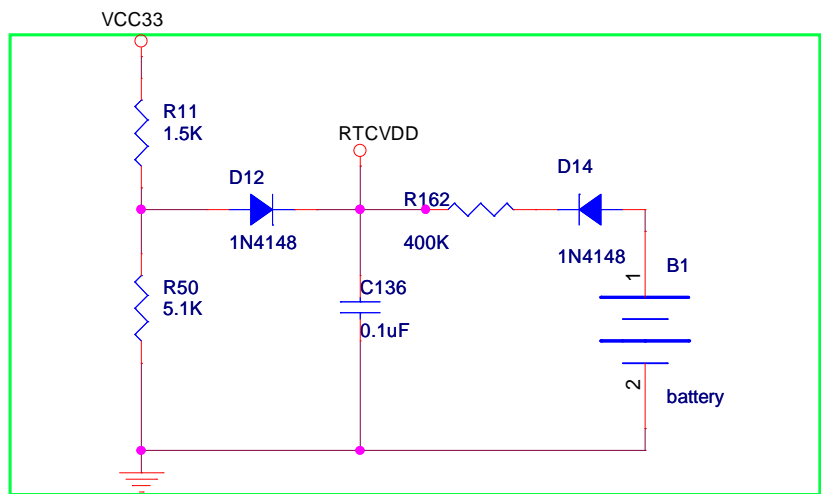
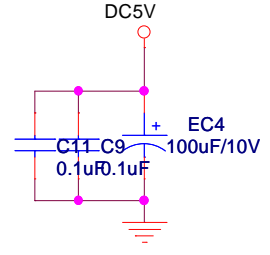
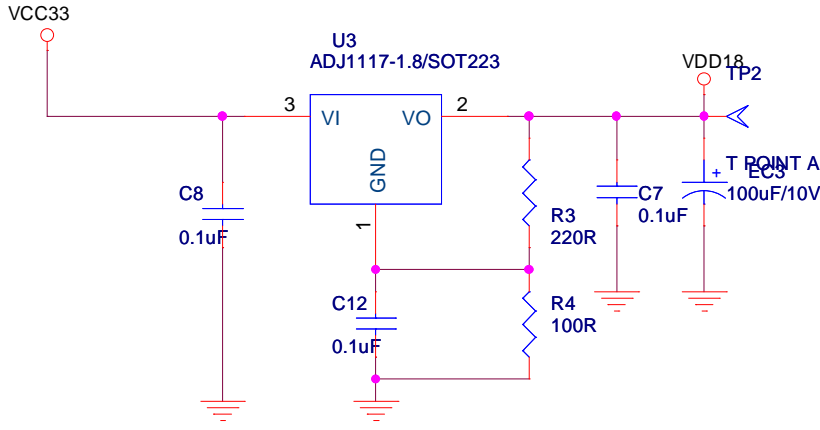
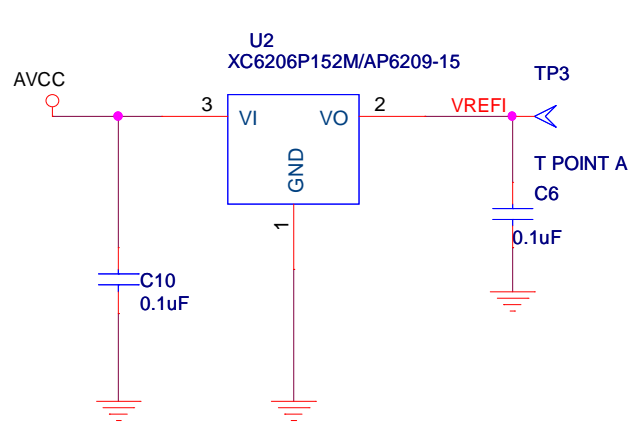
初始化时NF_CS2为L，进入MUSIC后为H

AOUTL	AOUTL	3
AOUTR	AOUTR	3
SPL_MISO	SPL_MISO	3,4
AGND	GND	2,3,4,5,6,8
VCC33	VCC33	2,3,4,5,6,8
DC5V	DC5V	2,3,6,8

Title		
AUDIO		
Size	Document Number	Rev
A	<Doc>	<RevCode>
Date:	Tuesday, March 17, 2009	Sheet 1 of 8

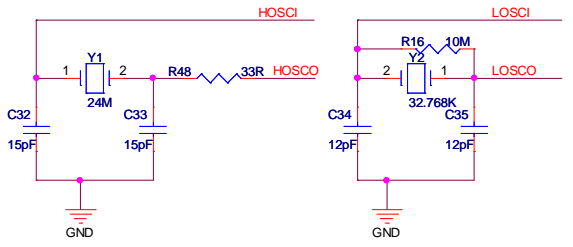


5VIN	5VIN	8
DC5V	DC5V	3,6,7,8
VREFI	VREFI	3
AVCC	AVCC	3,8
VCC33	VCC33	3,4,5,6,8
VDD18	VDD18	3
RTCVDD	RTCVDD	3
GND	GND	3,4,5,6,8

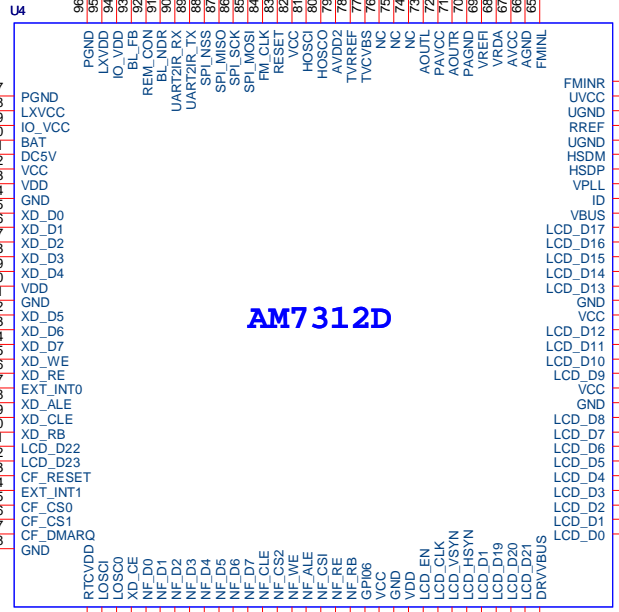


Title		
<Title>		
Size	Document Number	Rev
A	<Doc>	<RevCode>
Date:	Tuesday, March 17, 2009	Sheet 2 of 8

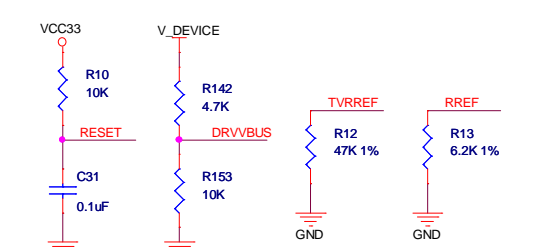
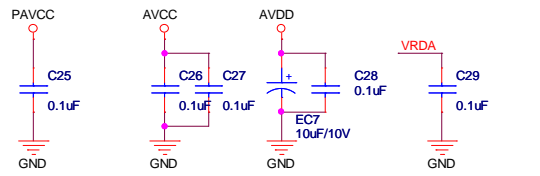
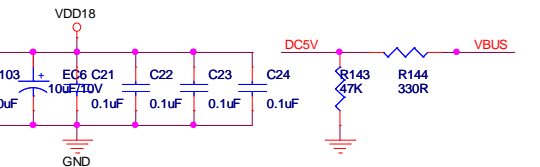
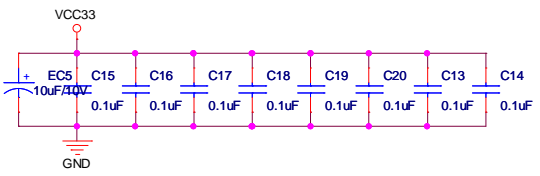
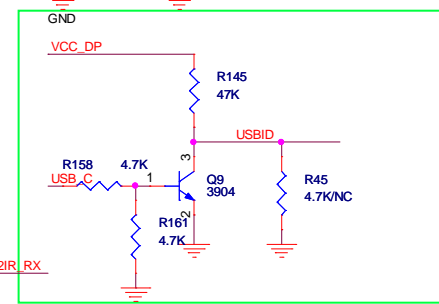
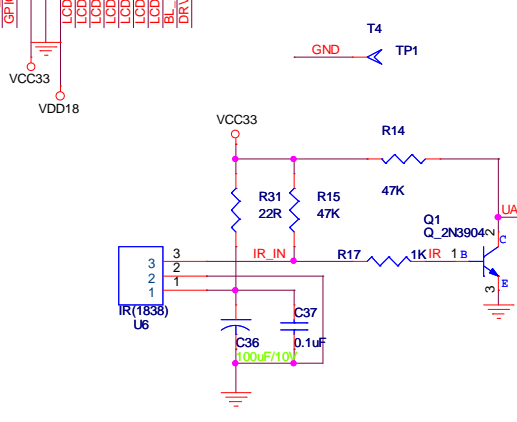
Z228 CLOCK



AM7312D



QFP128



DCSV	>>> DCSV	2,6,7,8
VREF1	>>> VREF1	2
AVCC	>>> AVCC	2,8
VCC_DP	>>> VCC_DP	2,3,7,8
VCC33	>>> VCC33	2,4,5,6,8
VDD18	>>> VDD18	2
RTCVDD	>>> RTCVDD	2
GND	<<< GND	2,4,5,6,8

NF_D[7:0]	>>> NF_D[7:0]	4,5
NF_RB	>>> NF_RB	4
NF_WE	>>> NF_WE	4,5
NF_RE	>>> NF_RE	4
NF_CS1	>>> NF_CS1	4
NF_CS2	>>> NF_CS2	4,7
NF_CLE	>>> NF_CLE	4,5
NF_ALE	>>> NF_ALE	4,5
SPI_SCK	>>> SPI_SCK	4,6
SPI_MOSI	>>> SPI_MOSI	4
SPI_NSS	>>> SPI_NSS	4
SPI_MISO	>>> SPI_MISO	4

SDP_C	>>> SDP_C	
XD_D[0..7]	>>> XD_D[0..7]	5
NF_D[0..7]	>>> NF_D[0..7]	4,5
CF_CS0	>>> CF_CS0	5
NF_WE	>>> NF_WE	4,5
NF_CLE	>>> NF_CLE	4,5
NF_ALE	>>> NF_ALE	4,5

EXT_INT1	>>> EXT_INT1	5
BL_PWM	>>> BL_PWM	5
CF_DMARQ	>>> CF_DMARQ	5

XD_WE	>>> XD_WE	5
XD_RE	>>> XD_RE	5
EXT_INT0	>>> EXT_INT0	5
XD_RB	>>> XD_RB	5
XD_CE	>>> XD_CE	5
XD_CLE	>>> XD_CLE	5
XD_ALE	>>> XD_ALE	5
SPI_SCK	>>> SPI_SCK	4,6

4IN1 CARD

AOUTL	>>> AOUTL	7
AOUTR	>>> AOUTR	7
NF_CS2	>>> NF_CS2	4,7
GND	>>> GND	2,4,5,6,8

AUDIO

AVCC	>>> AVCC	2,8
REM_CON	>>> REM_CON	8
V_DEVICE	>>> V_DEVICE	8
D+	>>> D+	8
D-	>>> D-	8
VBUS	>>> VBUS	8
GPIO6	>>> GPIO6	8

USB

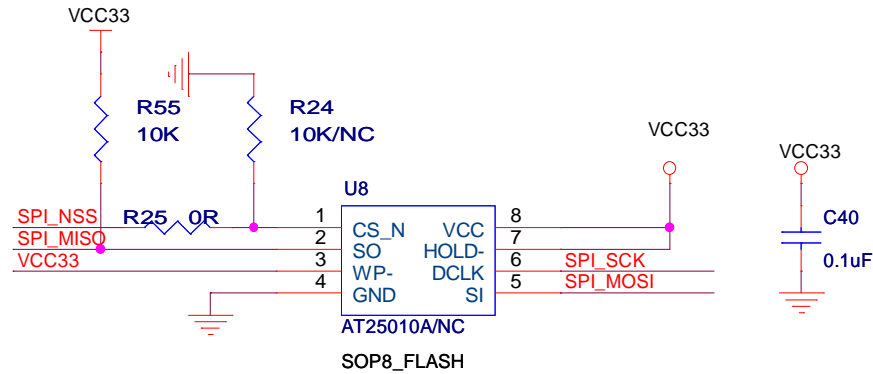
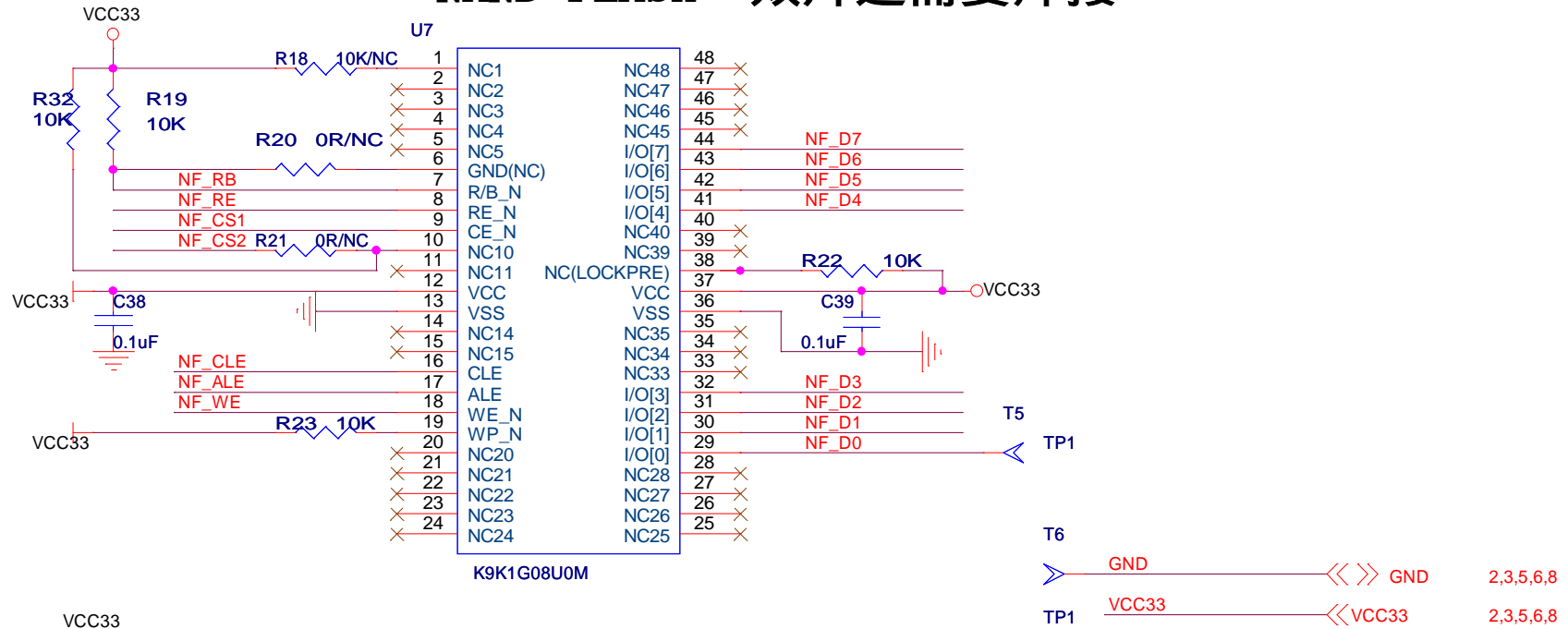
CF_CS1	>>> CF_CS1	6
LCD_D[17:0]	>>> LCD_D[17:0]	6
BL_NDR	>>> BL_NDR	6
BL_FB	>>> BL_FB	6
LCD_DE	>>> LCD_DE	4,6
LCD_HSYNC	>>> LCD_HSYNC	6
LCD_D18	>>> LCD_D18	6
LCD_D19	>>> LCD_D19	6

LCD_CLK	>>> LCD_CLK	6
LCD_VSYNC	>>> LCD_VSYNC	6
LCD_D20	>>> LCD_D20	6
TOON_GPO7	>>> TOON_GPO7	5

LCD

Title	<Title>	
Size	Document Number	Rev
B	<Doc>	<RevCode>
Date:	Tuesday, March 17, 2009	Sheet 3 of 8

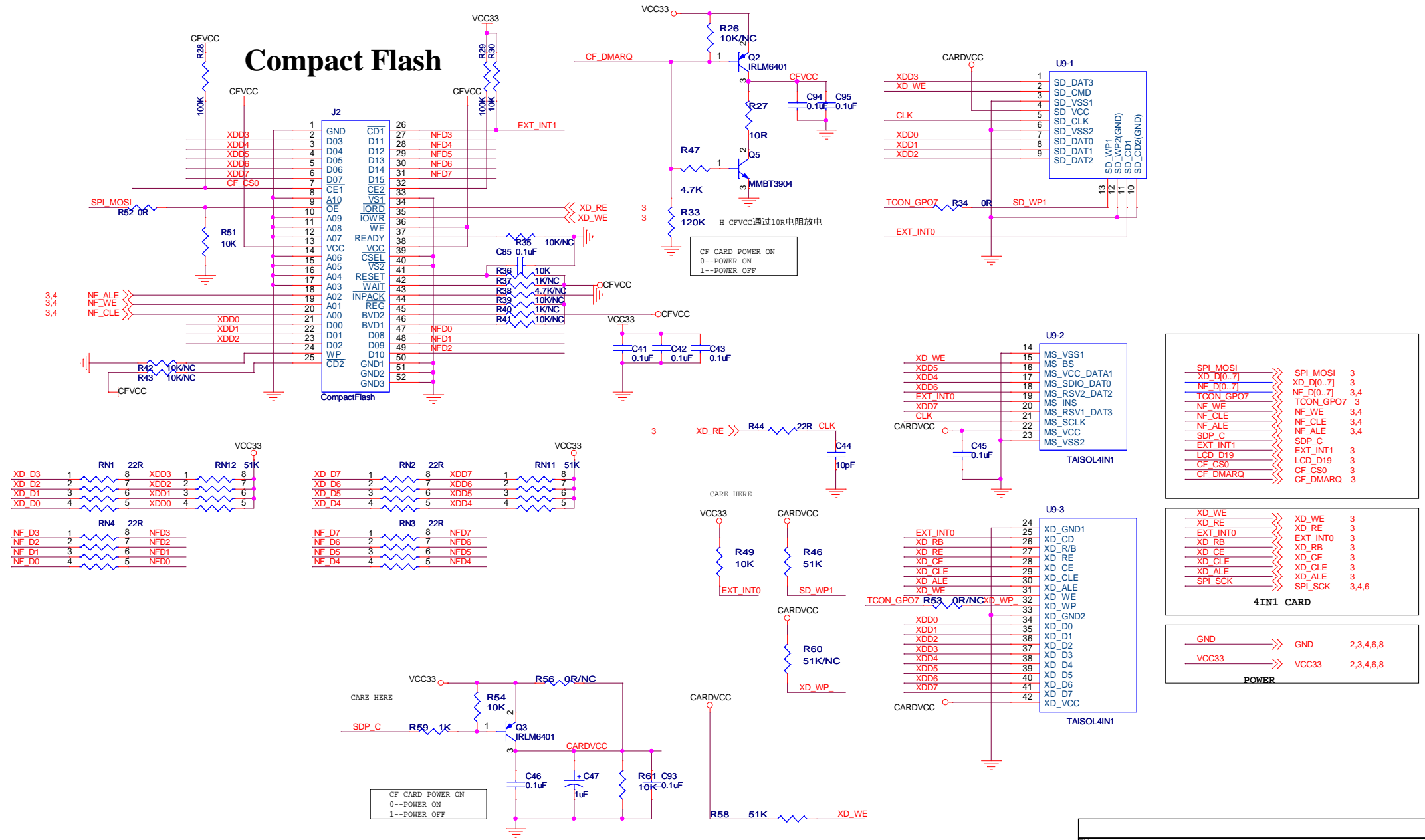
NAND FLASH 双片选需要焊接



NF_D[7:0]	NF_D[7:0]	3,5
NF_WE	NF_WE	3,5
NF_RE	NF_RE	3
NF_CS1	NF_CS1	3
NF_CS2	NF_CS2	3,7
NF_CLE	NF_CLE	3,5
NF_ALE	NF_ALE	3,5
SPI_SCK	SPI_SCK	3,6
SPI_MOSI	SPI_MOSI	3
SPI_NSS	SPI_NSS	3
SPI_MISO	SPI_MISO	3
NF_RB	NF_RB	3

Title		
FLASH		
Size	Document Number	Rev
A	<Doc>	<RevCode>
Date:	Tuesday, March 17, 2009	Sheet 4 of 8

Compact Flash



CF CARD POWER ON
 0--POWER ON
 1--POWER OFF

CARE HERE

CF CARD POWER ON
 0--POWER ON
 1--POWER OFF

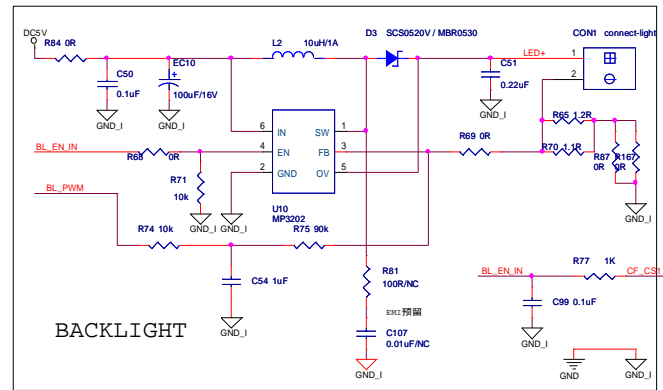
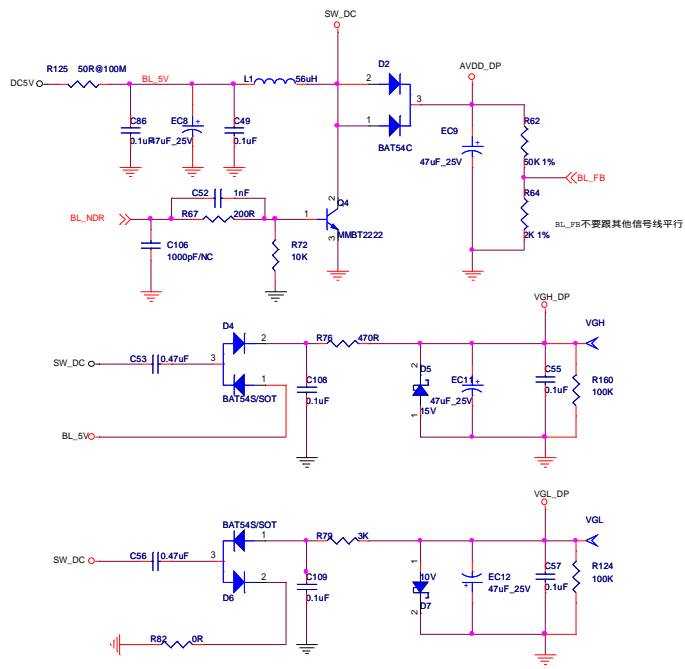
SD_DAT3	1
SD_CMD	2
SD_VSS1	3
SD_VCC	4
SD_CLK	5
SD_VSS2	6
SD_DAT0	7
SD_DAT1	8
SD_DAT2	9
SD_WP1	13
SD_WP2(GND)	12
SD_CD1	11
SD_CD2(GND)	10

MS_VSS1	14
MS_BS	15
MS_VCC_DATA1	16
MS_SDIO_DAT0	17
MS_RSVD2_DAT2	18
MS_INS	19
MS_RSVD1_DAT3	20
MS_SCLK	21
MS_VSS2	22
MS_VSS2	23

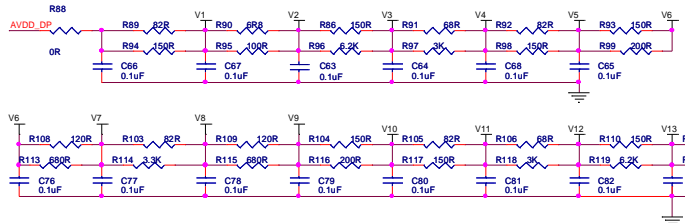
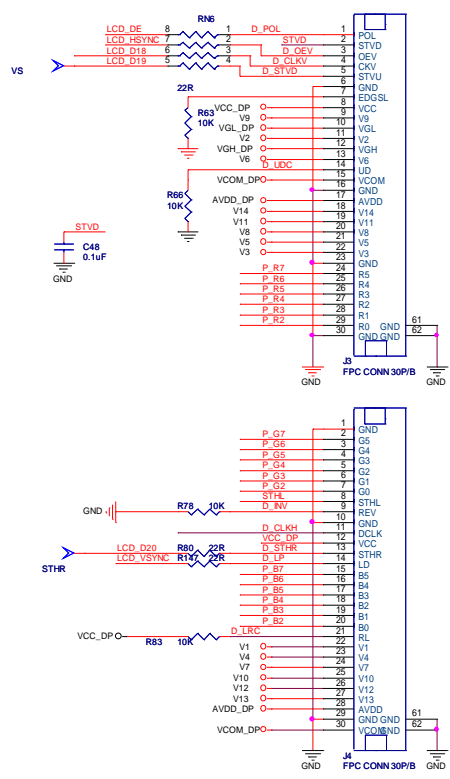
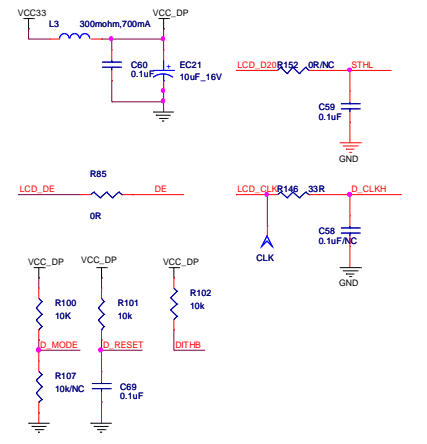
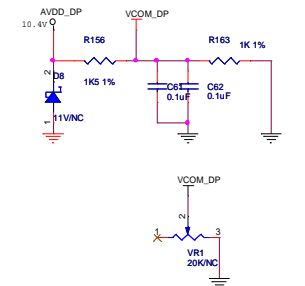
SPI_MOSI	3
XD_D[0..7]	3
NF_D[0..7]	3,4
MS_RSVD2_DAT2	3,4
TCON_GPO7	3
NF_WE	3,4
NF_CLE	3,4
NF_ALE	3,4
SDP_C	3
EXT_INT1	3
LCD_D19	3
CF_CS0	3
CF_DMARQ	3

GND	2,3,4,6,8
VCC33	2,3,4,6,8

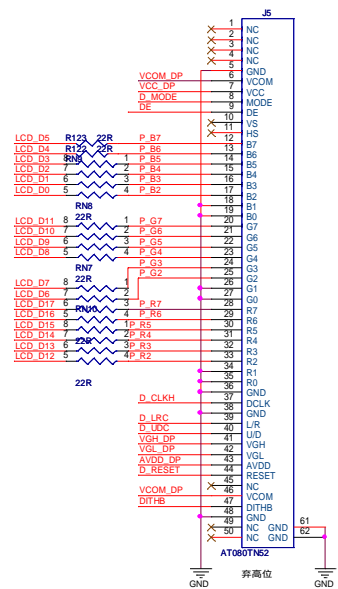
Title	<Title>	
Size	Document Number	Rev
B	<Doc>	<RevCode>
Date:	Tuesday, March 17, 2009	Sheet 5 of 8



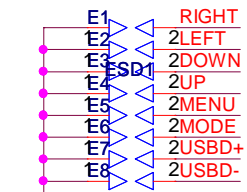
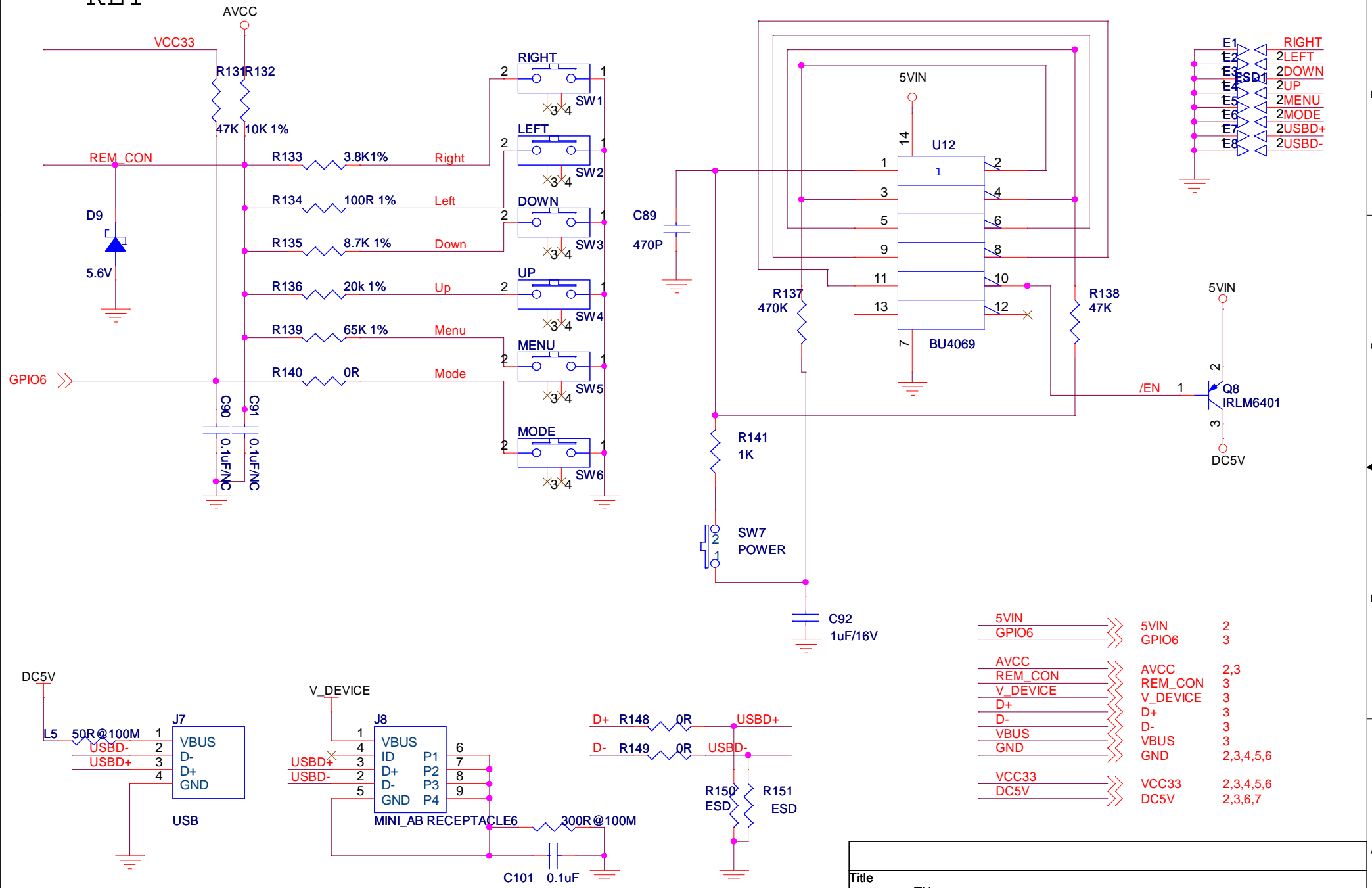
BACKLIGHT



CF_CS1	<< CF_CS1	3
LCD_D17[0]	>> LCD_D17[0]	3
BL_NDR	>> BL_NDR	3
BL_FB	>> BL_FB	3
LCD_DE	>> LCD_DE	3,4
LCD_HS/VNC	>> LCD_HS/VNC	3
LCD_D18	>> LCD_D18	3
BL_PWM	>> BL_PWM	3
LCD_CLK	>> LCD_CLK	3
LCD_VSYNC	>> LCD_VSYNC	3
LCD_VS1	>> LCD_D20	3
LCD_D19	>> LCD_D19	3
GND	>> GND	2,3,4,5,8
VCC33	>> VCC33	2,3,4,5,8
DC5V	>> DC5V	2,3,7,8
VCC_DP	>> VCC_DP	2,3,7,8



KEY



5VIN	5VIN	2
GPIO6	GPIO6	3
AVCC	AVCC	2,3
REM_CON	REM_CON	3
V_DEVICE	V_DEVICE	3
D+	D+	3
D-	D-	3
VBUS	VBUS	3
GND	GND	2,3,4,5,6
VCC33	VCC33	2,3,4,5,6
DC5V	DC5V	2,3,6,7

不使用USB OTG

Title <Title>		
Size A	Document Number <Doc>	Rev <RevCode>
Date:	Tuesday, March 17, 2009	Sheet 8 of 8