

**RF Technologies**  
**PURCHASE SPECIFICATION**

Purchase Spec.doc

RFT PART NUMBER <b>0330-0044</b>
-------------------------------------

REV <b>A</b>	SPEC DATE <b>3/22/07</b>	PAGE <b>1 of 5</b>
-----------------	-----------------------------	-----------------------

PURCHASING SECTION			
<u>DESCRIPTION</u> Antenna, Reverse SMA, Dipole Whip, 2.4 GHz	REVISION LEVEL CONTROL		
	<u>CHG/REL DOC</u>	<u>REV</u>	<u>DATE</u>
ENG DOC:			
PURCHASING APPROVAL:			
REVIEWED BY:			
ENG APPROVAL:			

**APPROVED SUPPLIER (S): (Listed by order of preference)**

- (1) HyperLink MPN: HG2402RD-RSF**
- (2) Antenna Factor MPN: ANT-2.4-CW-RCT
- (3) Antenna Factor MPN: ANT-2.4-CW-RCL
- (4) DPAC Technologies MPN: ACH2-AT-DP002

\*All alternate suppliers subject to review.

**SUPPLIER PACKAGING:** Components shall be individually packaged to prevent any damage or alteration to the components during shipping and handling.

**COMPONENT / MATERIAL IDENTIFICATION:** The supplier name and P/N and date code must be identified on the component/material or on/in the packaging.

**AGE OF COMPONENT / MATERIAL:** 2 year Max.

**AGENCY REQUIREMENT(S):** FCC

- |  |  |   |
|--|--|---|
| DOES RFT CUSTOMER REQUIRE NOTIFICATION OF CHANGE?  | NO <input checked="" type="checkbox"/> | YES <input type="checkbox"/>            |
| IS AGENCY CLASSIFICATION OF THIS COMPONENT REQUIRED?<br>(IF YES, LIST CLASSIFICATIONS IN AGENCY SECTION ABOVE)         | NO <input type="checkbox"/>            | YES <input checked="" type="checkbox"/> |
| IS COMPONENT LISTED ON AN AGENCY REPORT OF A RFT PRODUCT?<br>(IF YES, SUPPLIER AND P/N CHANGES REQUIRE REPORT CHANGES) | NO <input type="checkbox"/>            | YES <input checked="" type="checkbox"/> |

**RF Technologies**  
**PURCHASE SPECIFICATION**

Purchase Spec.doc

RFT PART NUMBER		
<b>0330-0044</b>		
REV	SPEC DATE	PAGE
A	3/22/07	2 of 5

**COMPONENT / MATERIAL SECTION**

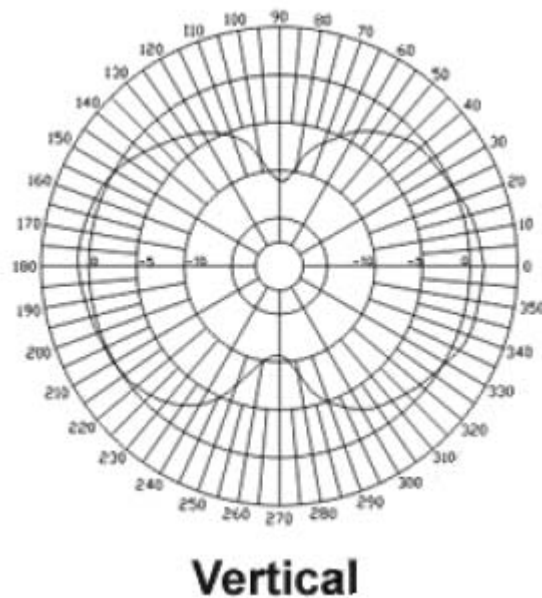
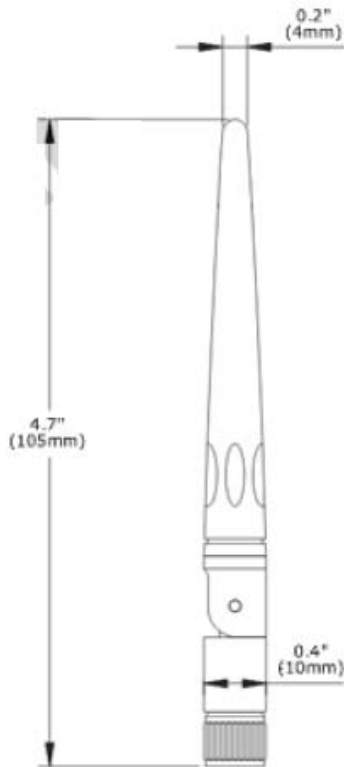
**(1) HyperLink MPN: HG2402RD-RSF**

**Electrical Specifications**

<b>Frequency</b>	2400-2500 MHz
<b>Gain</b>	2.2 dBi
<b>Impedance</b>	50 Ohm
<b>VSWR</b>	< 2.0

**Mechanical Specifications**

<b>Weight</b>	0.52 oz. (15 g)
<b>Length</b>	4.7" (105 mm)
<b>Diameter</b>	0.4" (10 mm)
<b>Finish</b>	Matte Black
<b>Connector</b>	Reverse Polarity SMA Plug
<b>Operating Temperature</b>	-40° C to to 85° C (-40° F to 185° F)
<b>Polarization</b>	Vertical
<b>RoHS Compliant</b>	Yes



**(2) Antenna Factor MPN: ANT-2.4-CW-RCT**

8/27/02

Form # 0920-0017

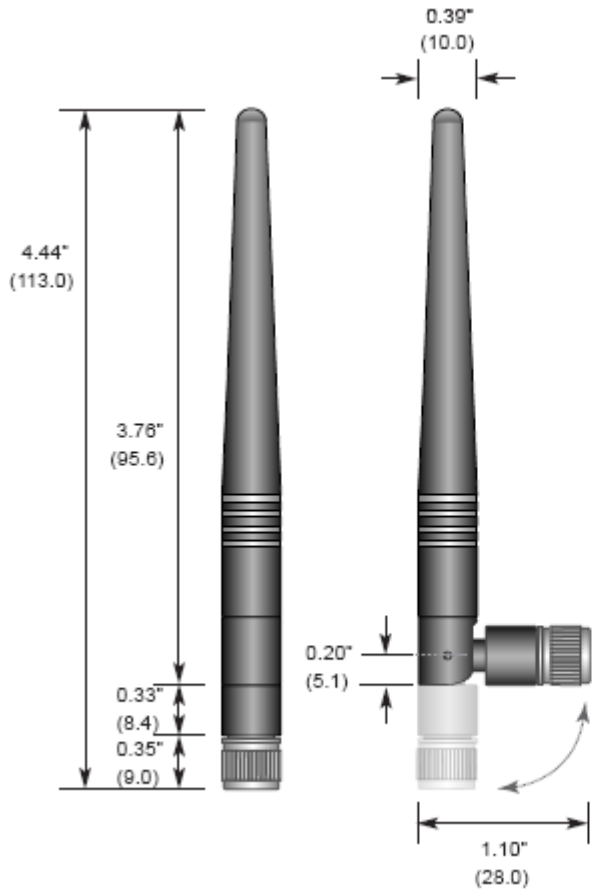
REV. A

# RF Technologies PURCHASE SPECIFICATION

Purchase Spec.doc

RFT PART NUMBER	
<b>0330-0044</b>	

REV <b>A</b>	SPEC DATE <b>3/22/07</b>	PAGE <b>3 of 5</b>
-----------------	-----------------------------	-----------------------



### Features

- Tilts and rotates
- Very low VSWR
- Excellent performance
- Omni-directional pattern
- Fully weatherized
- Rugged and damage-resistant
- RP-SMA or SMA connector

### Electrical Specifications

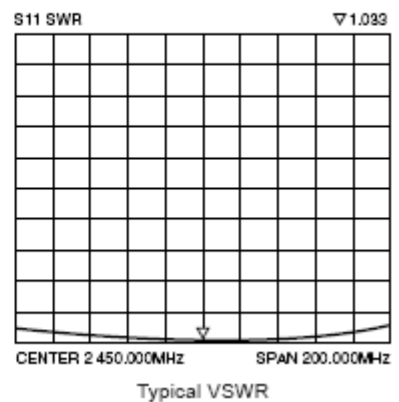
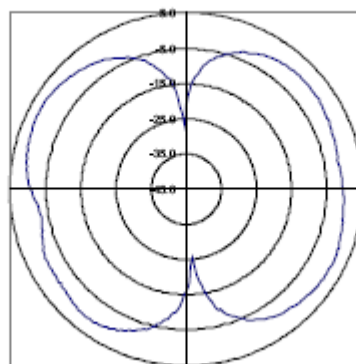
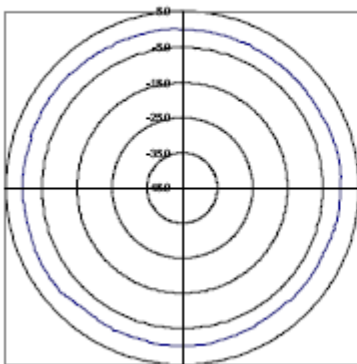
- Center Freq. 2.45GHz
- Bandwidth 120MHz
- Wavelength 1/2-wave
- VSWR <1.9 typ. at center
- Impedance 50 ohms
- Gain 2.20dBi
- Connector RP-SMA or SMA

Electrical specifications and plots measured on 4.00" x 4.00" reference ground plane

### Ordering Information

- ANT-2.4-CW-RCT-RP (with RP-SMA connector)
- ANT-2.4-CW-RCT-SS (with SMA connector)

### Polar Plots and VSWR Graph



### **(3) Antenna Factor MPN: ANT-2.4-CW-RCL**

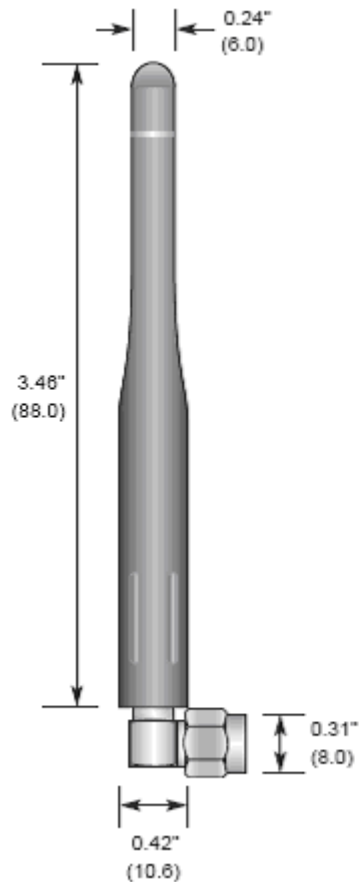
# RF Technologies PURCHASE SPECIFICATION

Purchase Spec.doc

RFT PART NUMBER

**0330-0044**

REV <b>A</b>	SPEC DATE <b>3/22/07</b>	PAGE <b>4 of 5</b>
-----------------	-----------------------------	-----------------------



### Features

- Right-angle mount
- Excellent performance
- Omni-directional pattern
- Fully weatherized
- Rugged & damage-resistant
- Part 15 compliant RP-SMA connector
- Available in black or custom colors
- Use with plastic or metal enclosures

### Electrical Specifications

- Center Freq. 2.45GHz
- Bandwidth 120MHz
- Wavelength 1/2-wave
- VSWR <1.7 typ. at center
- Impedance 50 ohms
- Gain 2.90dBi **\*\*\*MEASURED AT <2.20dBi**
- Connector RP-SMA

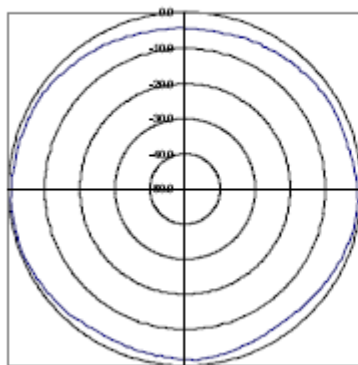
Electrical specifications and plots measured on 4.00" x 4.00" reference ground plane

### Ordering Information

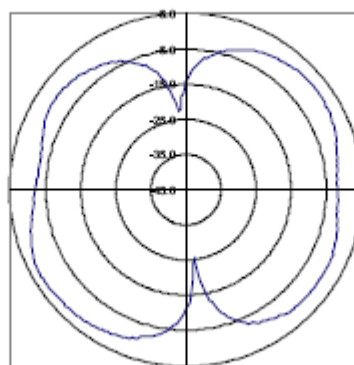
- ANT-2.4-CW-RCL

**\*\*\*3M Field Strength using this antenna was measured and compared against the three other antennas (advertised at 2.20dBi and less) with the same DUT. The measured field strength of this antenna was less than the RCT version (antenna #2), even though it is advertised with a higher gain.**

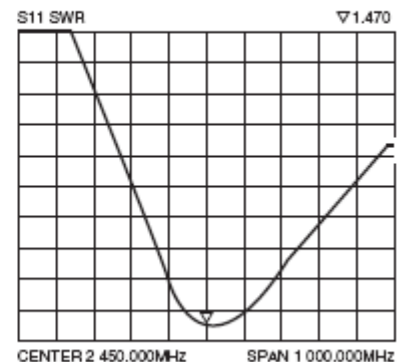
### Polar Plots and VSWR Graph



Azimuth



Elevation



Typical VSWR

**(4) DPAC Technologies MPN: ACH2-AT-DP002**

# RF Technologies PURCHASE SPECIFICATION

Purchase Spec.doc

RFT PART NUMBER	
<b>0330-0044</b>	

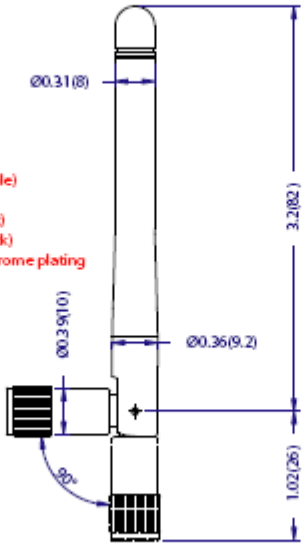
REV <b>A</b>	SPEC DATE <b>3/22/07</b>	PAGE <b>5 of 5</b>
-----------------	-----------------------------	-----------------------

**Electrical Properties:**

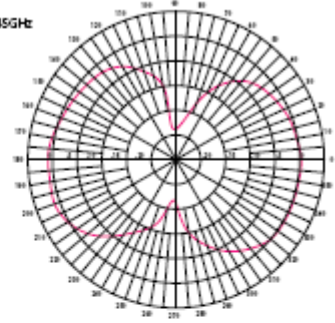
Frequency Range: 2.4~2.5 GHz  
 Impedance: 50Ω nominal  
 VSWR: <2.0:1  
 Gain: 2 dBi  
 Radiation: Omni  
 Polarization: Vertical  
 Wave: Half Wave Dipole

**Mechanical Properties:**

Connector: SMA R/P Plug(female)  
 Material: Polyurethane(Black)  
 Whip: Polycarbonate(Black)  
 Swivel Mechanism: Brass with black chrome plating  
 Connector: Brass with black chrome plating  
 Operation Temp.: -20°C to +65°C  
 Storage Temp.: -30°C to +75°C



E-Plane Pattern @ 2.45GHz



H-Plane Pattern @ 2.45GHz

