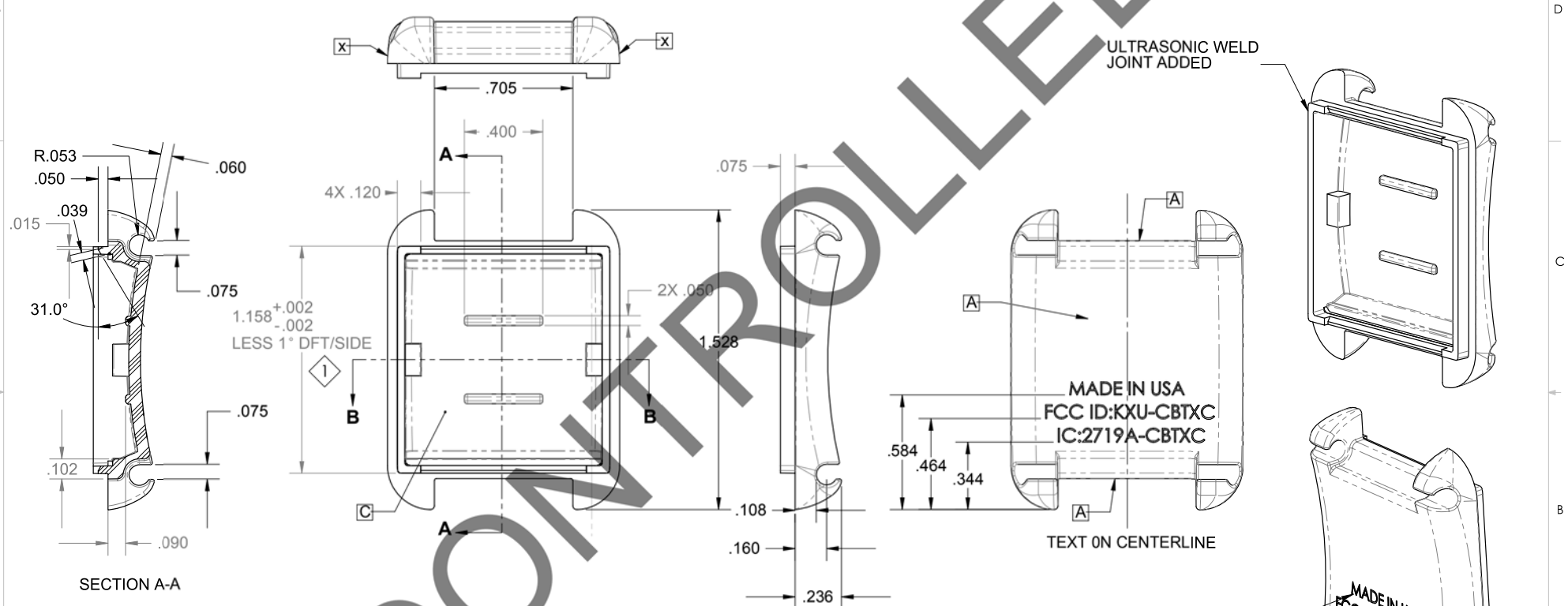
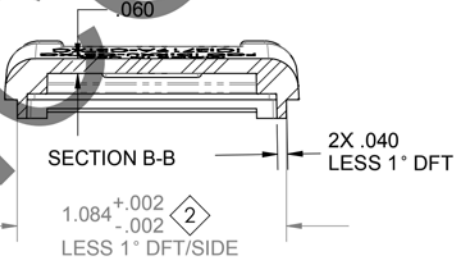


THE INFORMATION CONTAINED IN THIS DRAWING IS THE SOLE PROPERTY OF RF TECHNOLOGIES, INC. ANY REPRODUCTION IN PART OR WHOLE WITHOUT THE WRITTEN PERMISSION OF RF TECHNOLOGIES IS PROHIBITED.

REVISIONS			CHANGE DESCRIPTION	INITIALS
DATE	REV	ECO	Release	E.S.
04/30/18	A	6247-18		



- NOTES:
1. MATERIAL: EASTAR COPOLYESTER DN004
 2. COLOR: PMS 107 YELLOW, YES-1696-A
 3. NOMINAL WALL: .060
 4. TEXTURE: MT11000 ALL VISIBLE SURFACES UNLESS OTHERWISE SPECIFIED.
 5. MIN RADII: .010
 6. DRAFT: 1° UNLESS OTHERWISE SPECIFIED
 7. PART VOLUME: 0.1332 cu. in.
 8. FOR APPEARANCE STANDARDS REFERENCE RFT DOCUMENT: 0630-0001



RF TECHNOLOGIES, INC. 3125 NORTH 126TH STREET BROOKFIELD, WI 53005		Enclosure, Infant Band Off Tx - Bottom, Yellow, 66 KHz	
UNLESS OTHERWISE SPECIFIED DIMENSIONS ARE IN INCHES TOLERANCES ARE:		SIZE	DWG. NO.
DECIMALS ±0.005	ANGLES ±0.5	B	0220-0338
MAXIMUM ACCURACY REQUIRED DO NOT SCALE DRAWING		CAD GENERATED DRAWING. DO NOT UPDATE MANUALLY.	REV: A
MATERIAL	SEE NOTES	DRAWN BY: ES	DATE: 02/13/2018
FINISH	SEE NOTES	CHECKED BY:	SCALE: 1:1
			CAD FILE: 01
			SHEET 1 OF 1