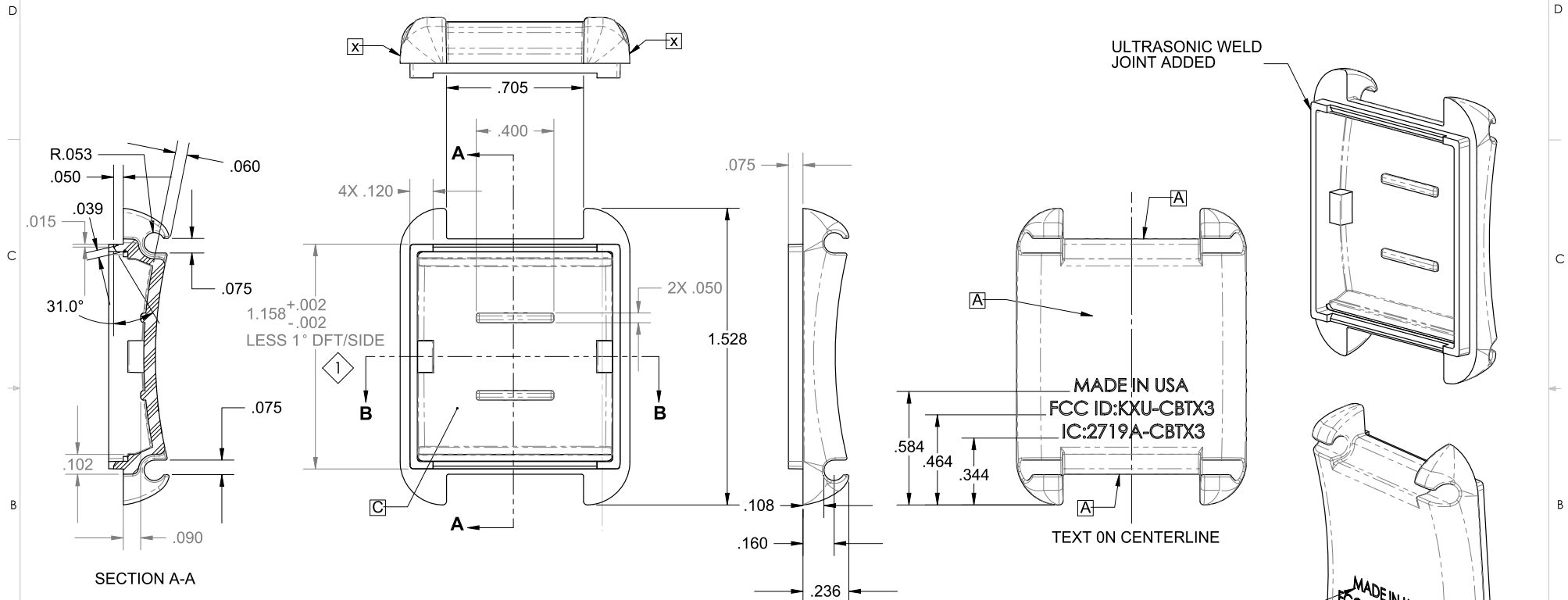
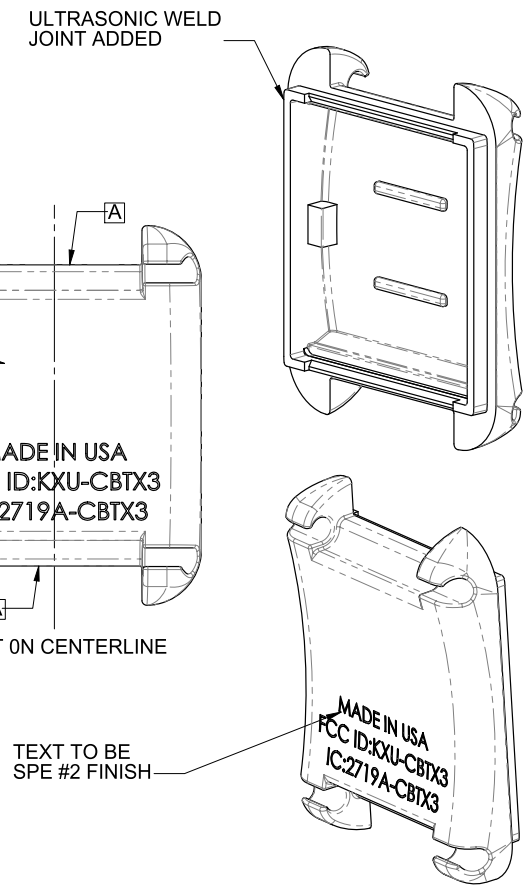
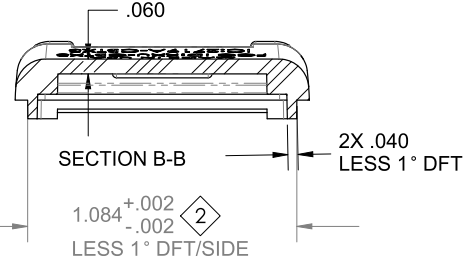


THE INFORMATION CONTAINED IN THIS DRAWING IS THE SOLE PROPERTY OF RF TECHNOLOGIES, INC. ANY REPRODUCTION IN PART OR WHOLE WITHOUT THE WRITTEN PERMISSION OF RF TECHNOLOGIES IS PROHIBITED.

REVISIONS			CHANGE DESCRIPTION	INITIALS
DATE	REV	ECO		
02/13/18	A	6184-18	Release	E.S.



- NOTES:
1. MATERIAL: EASTAR COPOLYESTER DN004
  2. COLOR: PMS 107 YELLOW, YES-1696-A
  3. NOMINAL WALL: .060
  4. TEXTURE: MT11000 ALL VISIBLE SURFACES UNLESS OTHERWISE SPECIFIED.
  5. MIN RADII: .010
  6. DRAFT: 1° UNLESS OTHERWISE SPECIFIED
  7. PART VOLUME: 0.1332 cu. in.
  8. FOR APPEARANCE STANDARDS REFERENCE RFT DOCUMENT: 0630-0001



RF TECHNOLOGIES, INC. 3125 NORTH 126TH STREET BROOKFIELD, WI 53005		CAD GENERATED DRAWING. DO NOT UPDATE MANUALLY.	
UNLESS OTHERWISE SPECIFIED DIMENSIONS ARE IN INCHES TOLERANCES ARE:		SIZE	REV
DECIMALS ±0.005	ANGLES ±0.5	DWG. NO.	A
MAXIMUM ACCURACY REQUIRED DO NOT SCALE DRAWING		0220-0336	
MATERIAL	SEE NOTES	SCALE: 1:1	CAD FILE: 01
FINISH	SEE NOTES		
DRAWN BY: ES	DATE: 02/13/2018		
CHECKED BY:			