

RF Technologies, Inc.

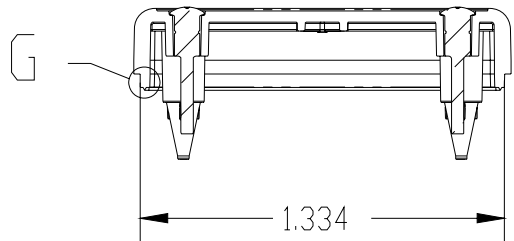
[www.rft.com](http://www.rft.com)

Model: TAG-80211B

FCC ID: KXU-80211B

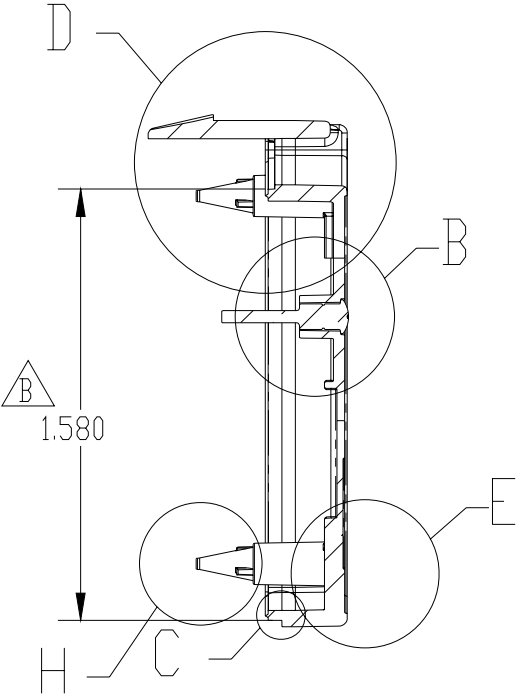
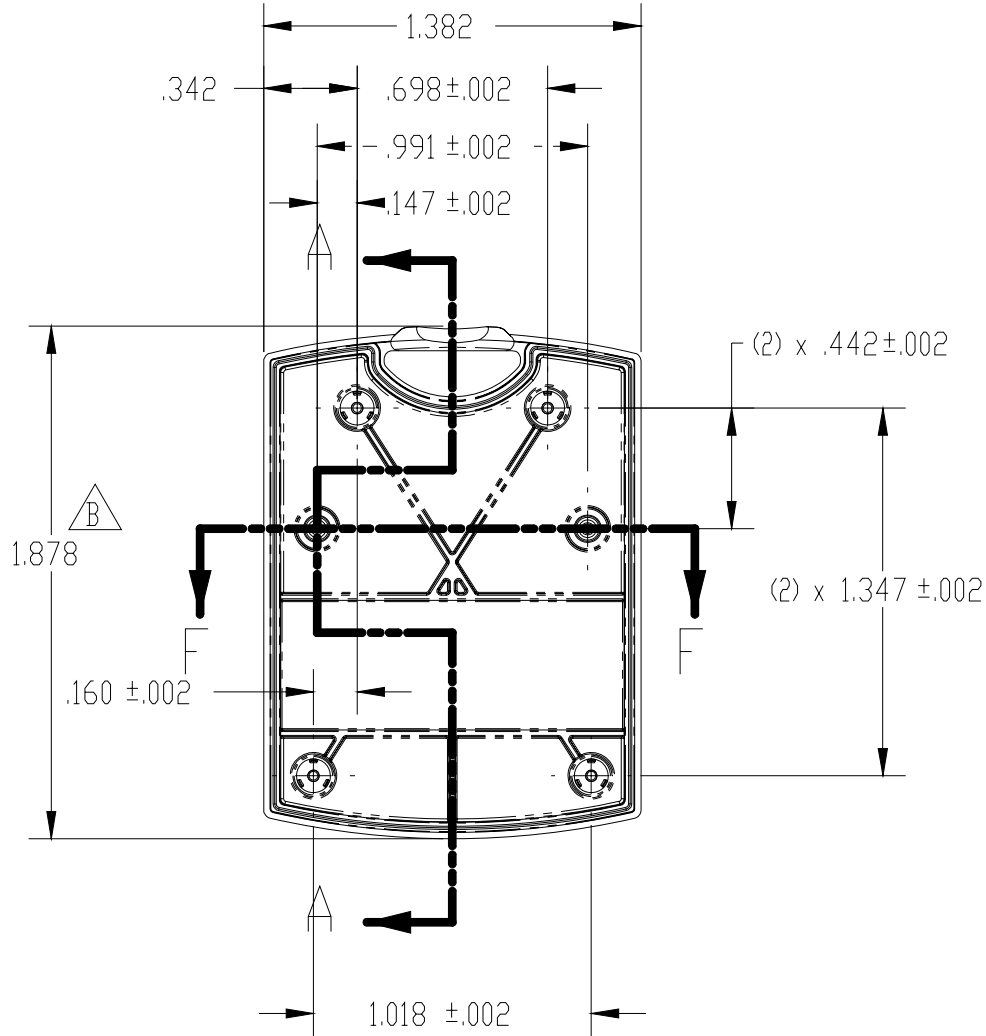
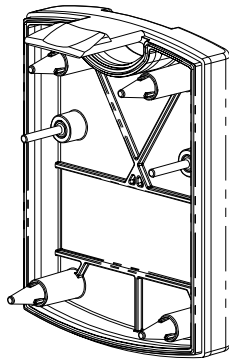
IC: 2719A-80211B

DATE	REV.	ECD	CHANGE DESCRIPTION	INIT
12/9/2005	A	2800-05	RELEASED - PART NUMBER & BILL OF MATERIAL CHANGED 0300-0120 WAS 5701-12235-001 0220-0164 WAS 0300-13702-001	WD-IES
05/03/2006	B	2933-06	INCREASE ENCLOSURE HT.	LJG-IES

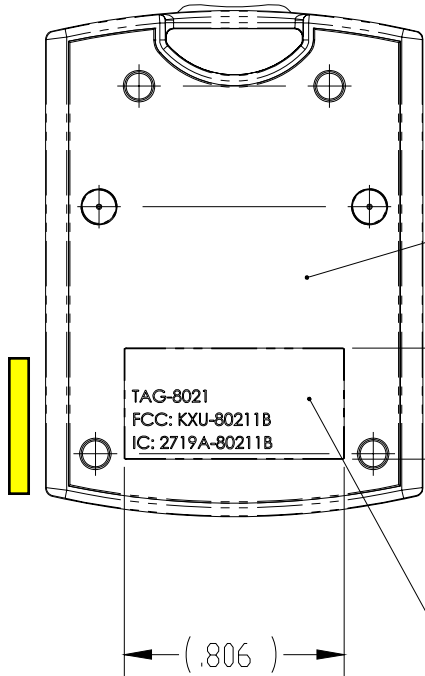


SECTION F-F

- NOTES:
1. DRAFT: 1° UNLESS OTHERWISE SPECIFIED.
  2. RADII: 0.010 UNLESS OTHERWISE SPECIFIED.
  3. NOMINAL WALL: 0.060 UNLESS OTHERWISE SPECIFIED.
  4. PART VOLUME: 0.236 CU. IN.
  5. CONTACT PINS (ITEM 2) TO BE INSERT MOLDED IN CASE BOTTOM



SECTION A-A



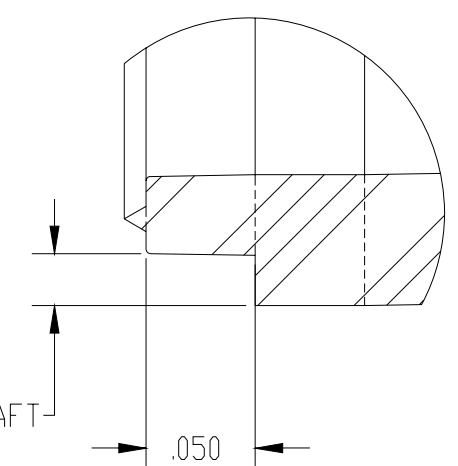
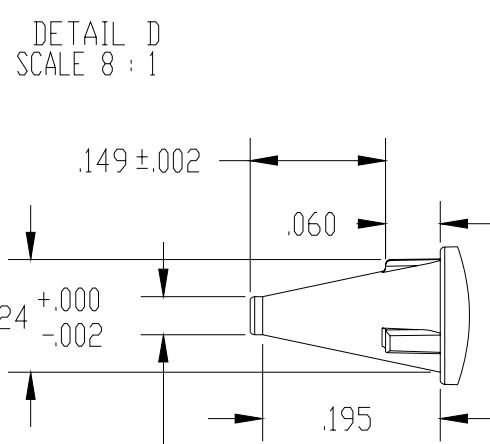
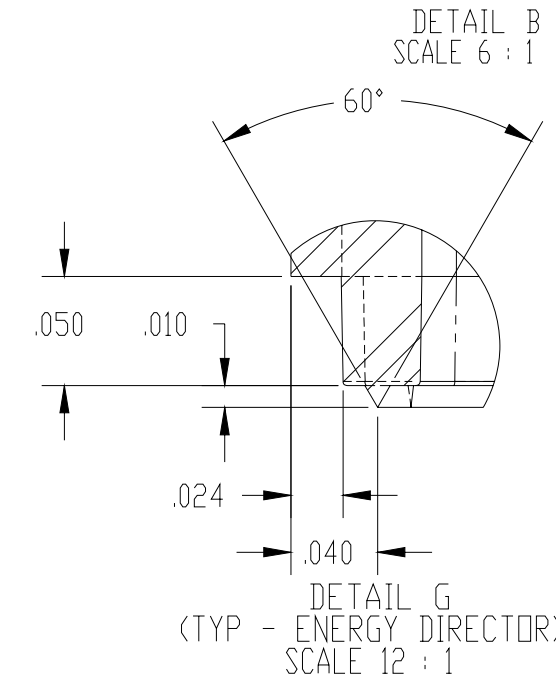
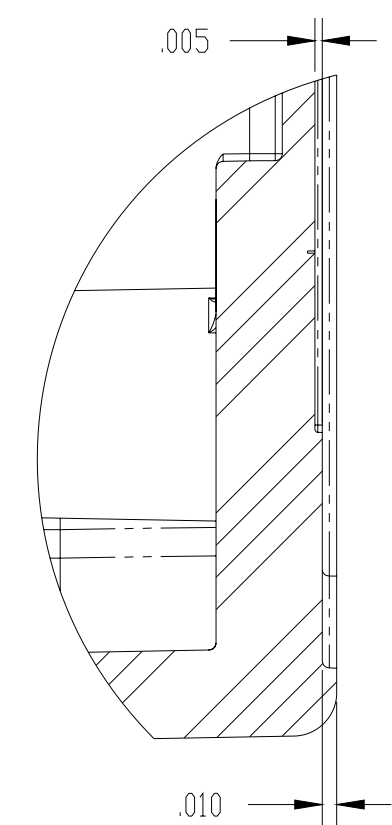
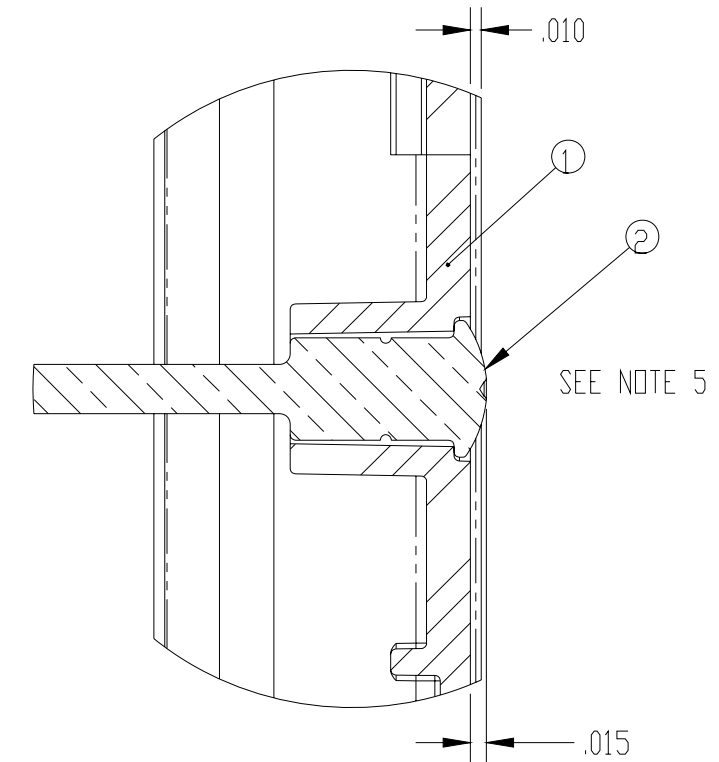
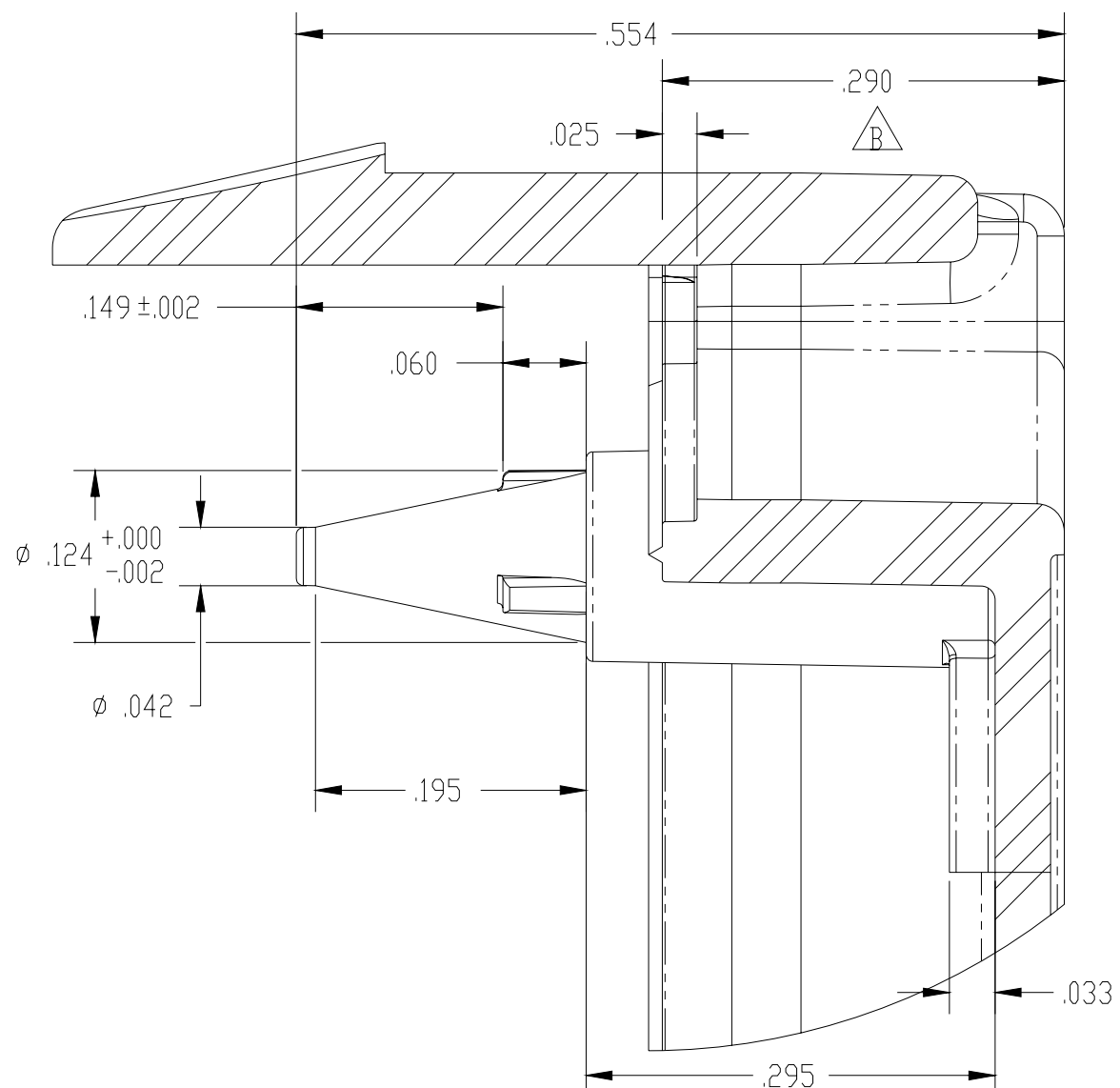
NO TEXTURE HERE

(.406)

(.806)

0.005" RECESSED AREA. THIS AREA TO BE AN INSERT IN TOOLING. TEXT TO BE SPE #2 FINISH.

UNLESS OTHERWISE SPECIFIED DIMENSIONS ARE IN INCHES. TOLERANCES ARE:	RF Technologies, Inc.		DRAWING NUMBER: 0220-0164		REV B
	FRACTIONS +/- 1/16	DECIMALS +/- .XX+ .XX +/- .XXX+.XXX	ANGLES +/- 1	DRAWN WD-IES	DATE 12/9/2005
MATERIAL VALOX 357U	PROPRIETARY AND CONFIDENTIAL THE INFORMATION CONTAINED IN THIS DRAWING IS THE SOLE PROPERTY OF RF TECHNOLOGIES, INC. ANY REPRODUCTION IN PART OR AS A WHOLE WITHOUT THE WRITTEN PERMISSION OF RF TECHNOLOGIES, INC. IS PROHIBITED.			PART DRAWING Page 1 of 2	
COLOR WARM WHITE	FINISH TEXTURE: UT-7001		SCALE not to scale	PRINT DATE 9/1/2005	SIZE B



DETAIL D  
SCALE 8 : 1

DETAIL B  
SCALE 6 : 1

DETAIL E  
SCALE 8 : 1

DETAIL G  
(TYP - ENERGY DIRECTOR)  
SCALE 12 : 1

DETAIL H  
SCALE 5 : 1

DETAIL C  
SCALE 12 : 1

UNLESS OTHERWISE SPECIFIED DIMENSIONS ARE IN INCHES. TOLERANCES ARE:	RF Technologies, Inc.		DRAWING NUMBER: 0220-0164	REV B
	FRACTIONS +/- 1/16	DECIMALS +/- .XX+ .XX +/- .XXX+ .XXX	ANGLES +/- 1	
MATERIAL VALOX 357U	PROPRIETARY AND CONFIDENTIAL THE INFORMATION CONTAINED IN THIS DRAWING IS THE SOLE PROPERTY OF RF TECHNOLOGIES, INC. ANY REPRODUCTION IN PART OR AS A WHOLE WITHOUT THE WRITTEN PERMISSION OF RF TECHNOLOGIES, INC. IS PROHIBITED.		PART DRAWING Page 2 of 2	
COLOR WARM WHITE			SCALE not to scale	PRINT DATE 9/1/2005
FINISH TEXTURE: UT-7001				SIZE B