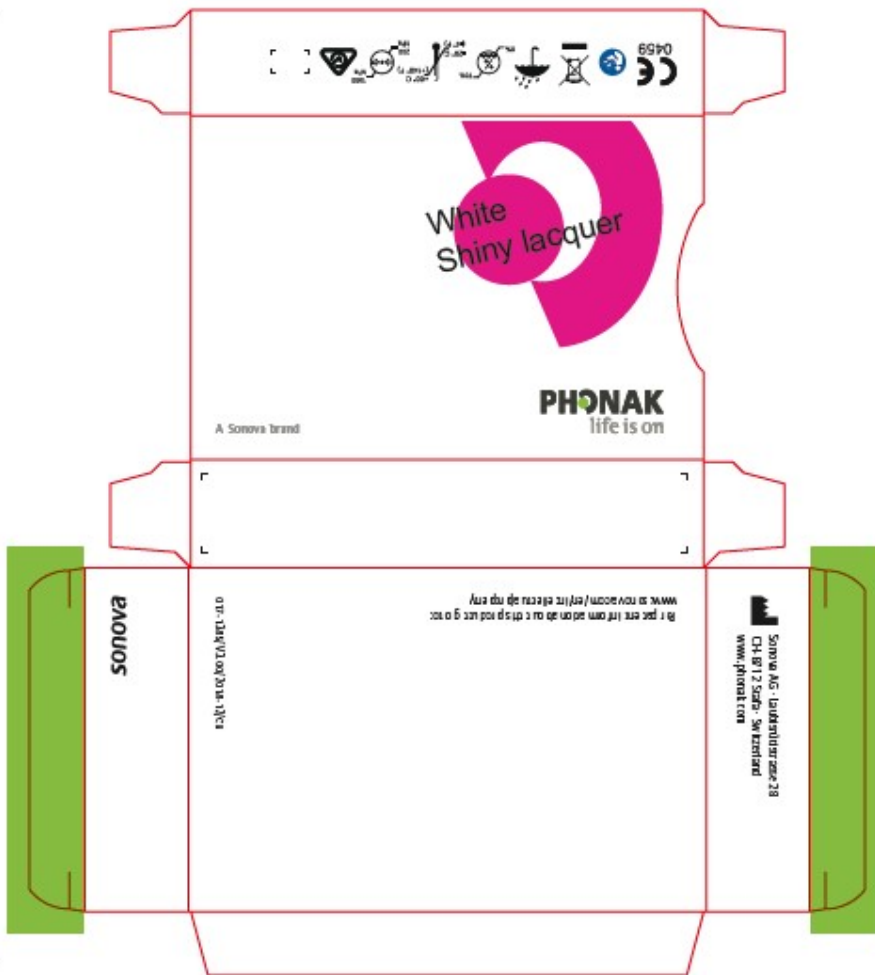


Labelling & Packaging Information

Labelling on the Packaging

Cardboard box overview (017-1385):



Name and address of the “legal manufacturer” in the sense of the MDD 93/42/EEC completed with the address of the manufacturer, and the corresponding pictogram.



Sonova AG · Laubisrütistrasse 28
 CH-8712 Stäfa · Switzerland
 www.phonak.com

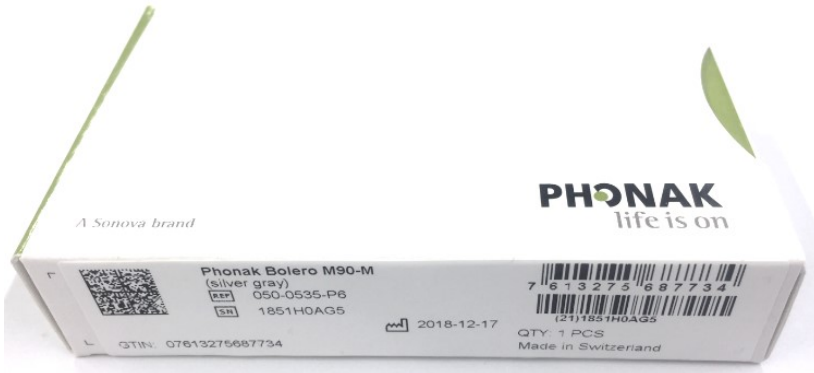
The products are manufactured, packed and shipped individually in labelled cardboard cartons, refer to photos below. The same cardboard box model is used for all hearing aid products. However the labelling sticker on the box is unique for the products. The labelling stickers with complete product model name, colour, article number, serial number and bar code can be seen in the pictures below.

Labelling & Packaging Information

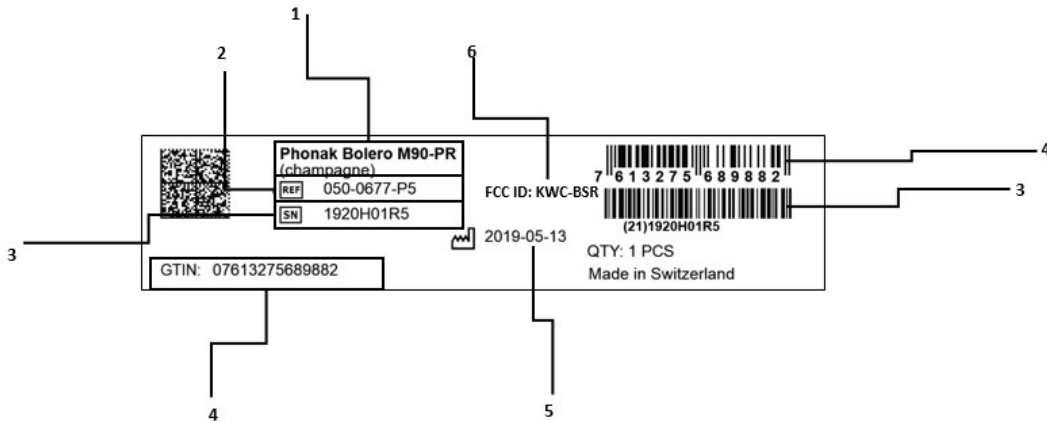
Labelling Stickers:

Below pictures are given for representative purposes. The formats of the labels are always the same with only some of the label items having a difference from model to model.

Front view:



Bolero M-PR

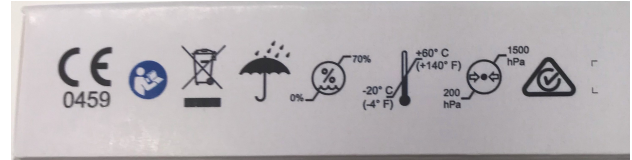


Label Constituents:

- 1: Model type designation (with color)
- 2: Article number
- 3: Serial numbers
- 4: Global trade item number
- 5: Manufacturing date
- 6: FCC ID

Labelling & Packaging Information

Rear view:



Side views:



Bottom view:

