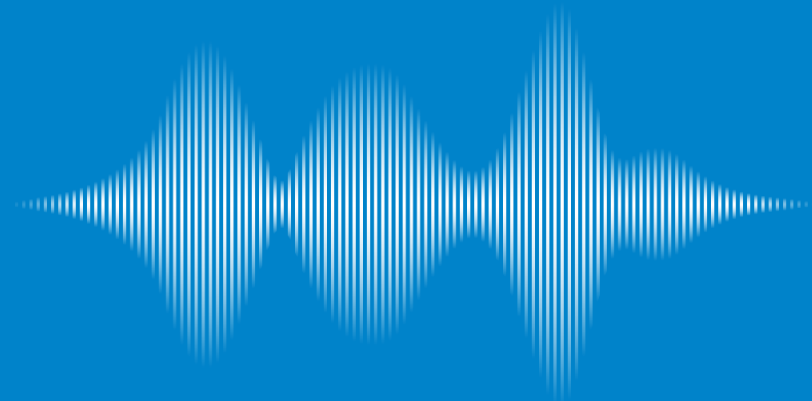
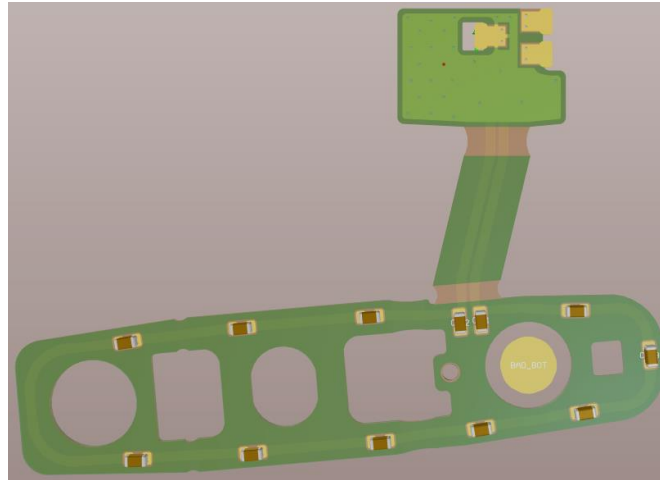
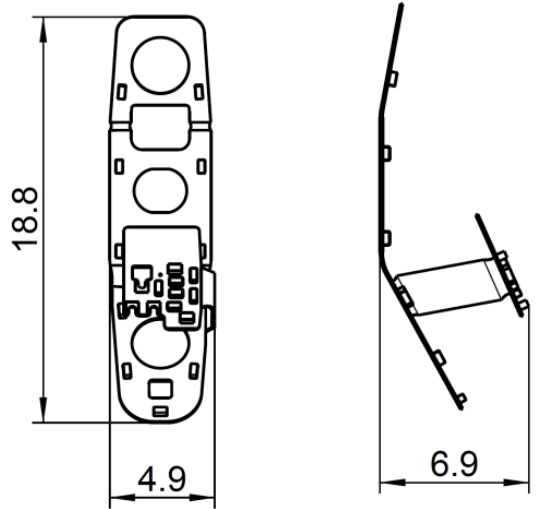


Naida SP Antenna



Naida SP Antenna

1- Antenna Structure



Model name and manufacturer of the antenna: BE 09 BT-ANT, 045-0736

Manufacturer: Sonova AG

Technical key information:

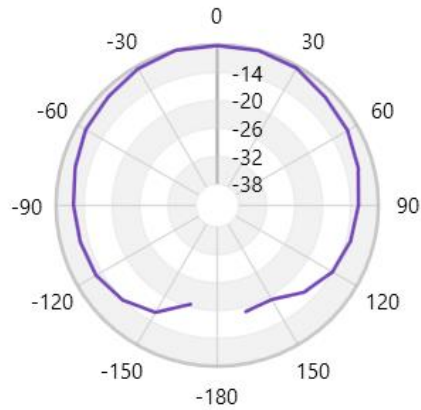
Antenna Type: Small magnetic loop antenna

Antenna Gain: **Peak gain** -6.5 dBi (built in final HI) , **Avg Gain** : -10.5dBi

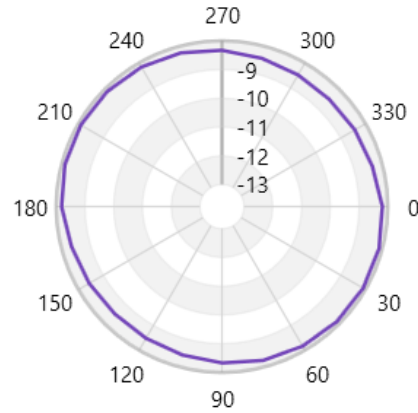
Connector Type: Soldered pad connection on flexible PCB, via a transmission line

Naida SP Antenna

2- 3D Radiation Pattern at 2.44GHz



Elevations (°)



Azimuths (°)

