

8

7

6

5

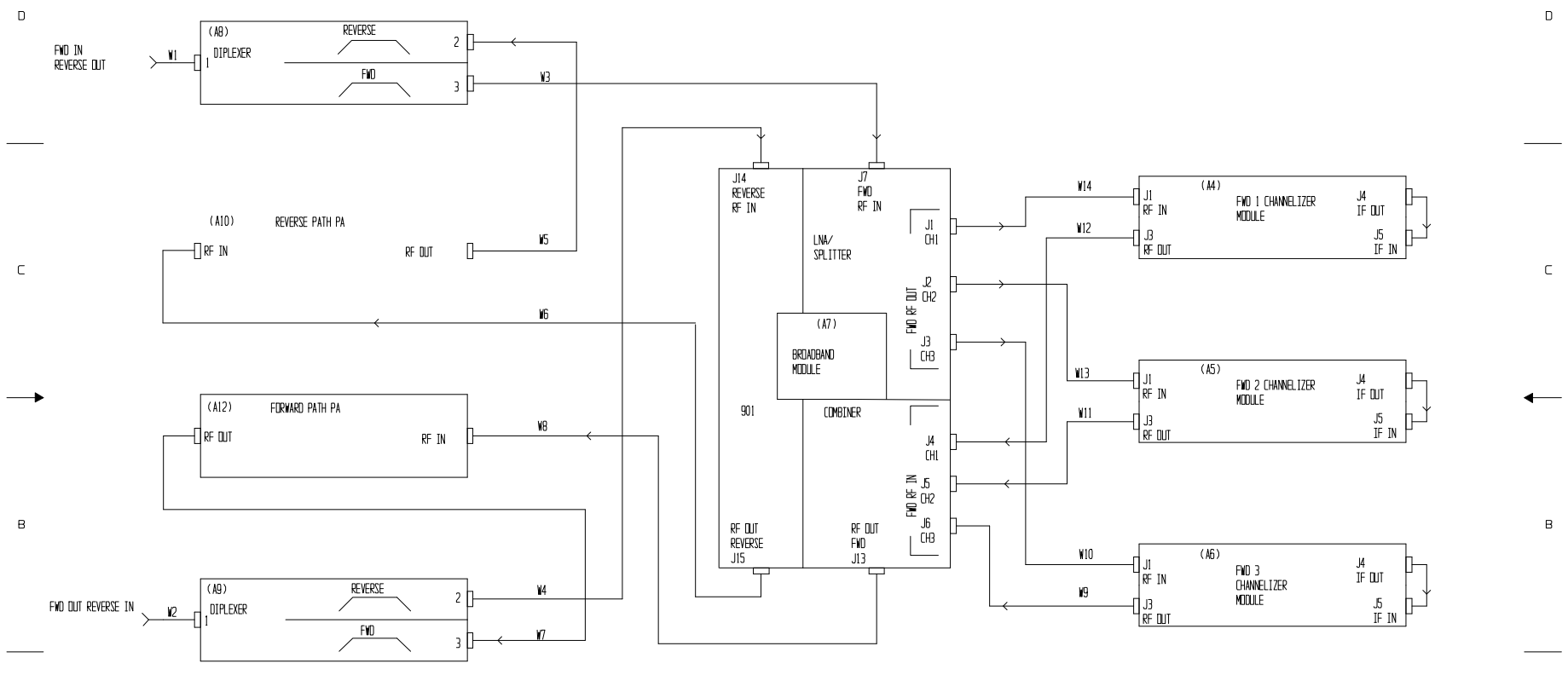
4

3

1

DWG NO. AEO2S-D3549 SH 1  
REVISION HISTORY

Sheet Number	New Rev	ECN NO	Incorporate	Prepared	Checked	Approved



A

8

7

6

5

4

3

2

1

UNLESS OTHERWISE SPECIFIED:  
 DIMENSIONS ARE IN INCHES  
 TOLERANCES UNLESS OTHERWISE SPECIFIED:  
 FRACTIONS DECIMALS  
 .0005 .0005  
 .001 .001  
 .005 .005  
 .010 .010  
 .030 .030  
 .060 .060  
 .125 .125  
 .250 .250  
 .500 .500  
 1.000 1.000  
 2.000 2.000  
 5.000 5.000  
 10.000 10.000  
 20.000 20.000  
 50.000 50.000  
 100.000 100.000  
 200.000 200.000  
 500.000 500.000  
 1000.000 1000.000  
 DO NOT SCALE DRAWING  
 THIRD ANGLE PROJECTION

CONTRACT: \_\_\_\_\_  
 TITLE: \_\_\_\_\_  
 DWN. R. DWYER 30APR08  
 CKD \_\_\_\_\_  
 ENGR \_\_\_\_\_  
 PWD \_\_\_\_\_  
 SKA \_\_\_\_\_  
 TRPG \_\_\_\_\_  
 WEL \_\_\_\_\_

COMMUNICATIONS SYSTEMS GROUP A  
 2601 Telegen Parkway  
 Richardson, Texas 75082

RF BLOCK DIAGRAM  
 NBPCS-900-3

1K815 AEO2S-D3549 -  
 SCALE NINE 2S35491- SHEET 1 OF 1

NOTICE: These drawings and specifications are the property of ANDREW CORPORATION. All information contained herein is UNCLASSIFIED, unless otherwise indicated. In the field of ANDREW shall be confidential except to the extent to which it is established to have been known previously from sources other than ANDREW. These drawings and specifications may not be reproduced, copied or used as the basis for the reproduction or sale of apparatus without written permission.