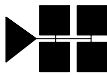


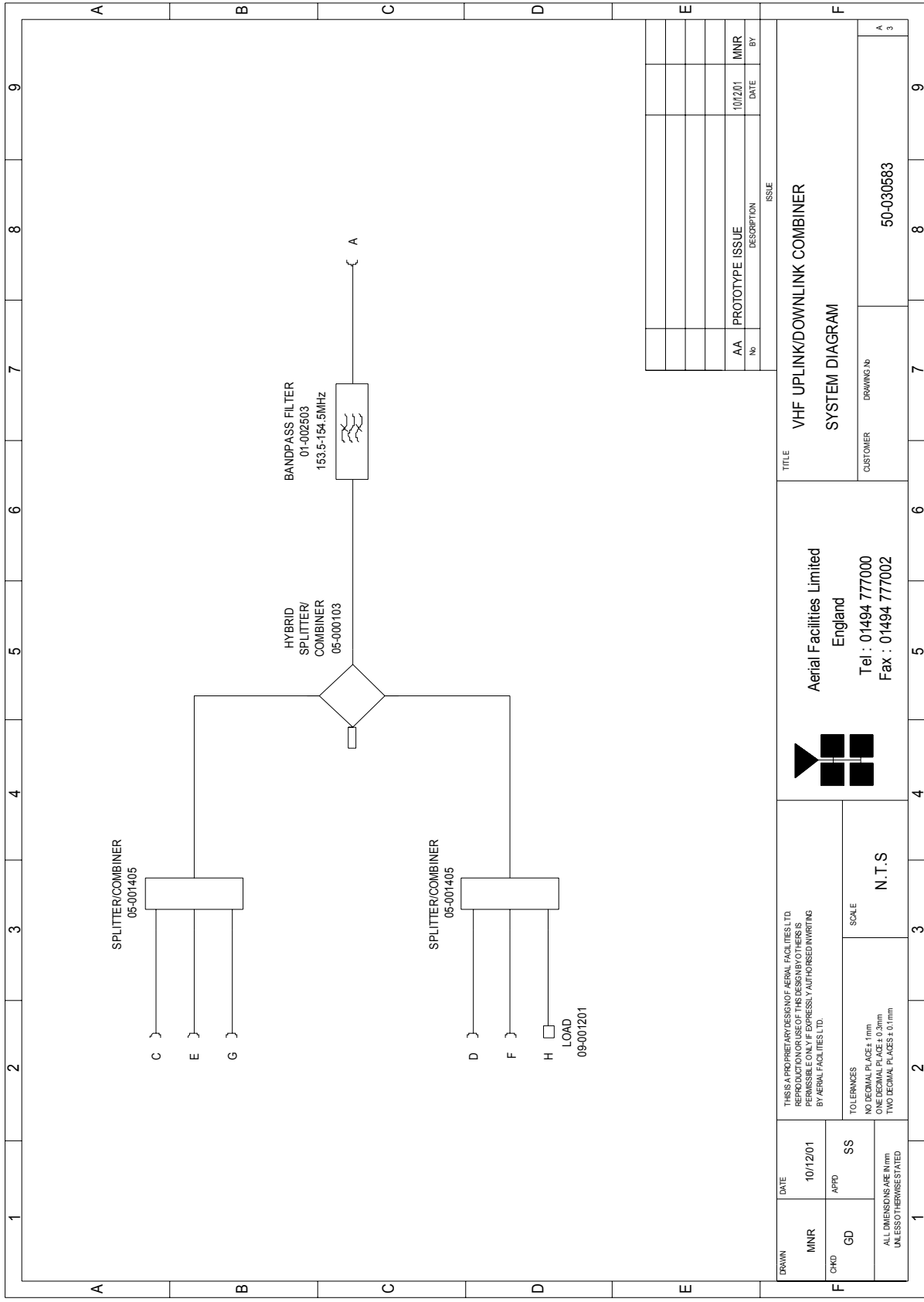
ISSUE	
NO	DESCRIPTION
BA	ECN2452
AA	PROTOTYPE ISSUE
MNR	06/02/02
MNR	10/12/01
DATE	
BY	

TITLE	
VHF DOWNLINK SPLITTER SYSTEM DIAGRAM	
CUSTOMER	DRAWING NO
Aerial Facilities Limited England Tel : 01494 777000 Fax : 01494 777002	50-030582

 Aerial Facilities Limited England Tel : 01494 777000 Fax : 01494 777002	
--	--

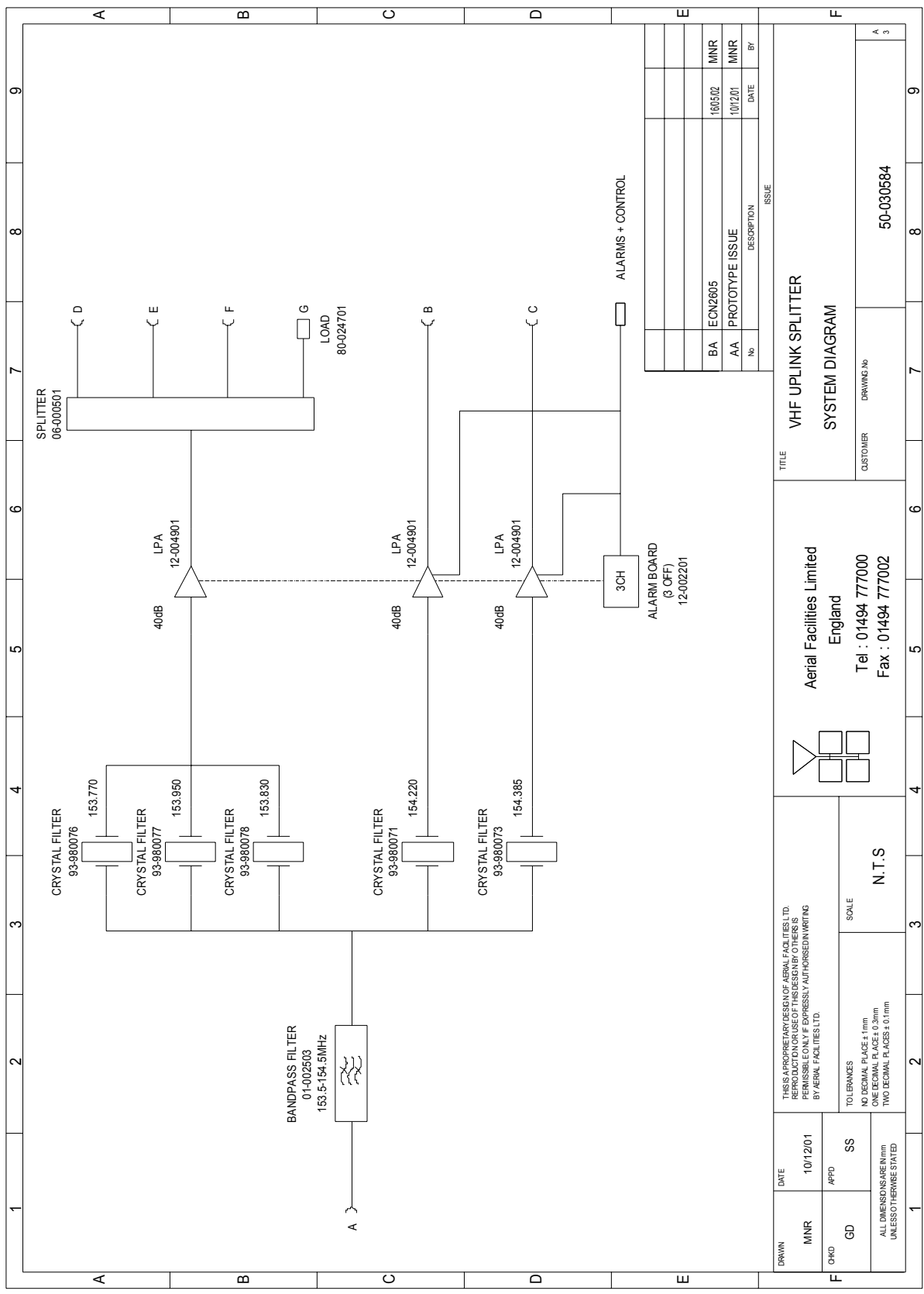
THIS IS A PROPRIETARY DESIGN OF AERIAL FACILITIES LTD. REPRODUCTION OR USE OF THIS DESIGN BY OTHERS IS PERMISSIBLE ONLY IF EXPRESSLY AUTHORISED IN WRITING BY AERIAL FACILITIES LTD.	
DATE	10/12/01
APPD	SS
SCALE	N.T.S.
TOLERANCES	NO DECIMAL PLACES ± 1mm ONE DECIMAL PLACE ± 0.2mm TWO DECIMAL PLACES ± 0.1mm
GD	SS
ALL DIMENSIONS ARE IN mm UNLESS OTHERWISE STATED	

DRAWN	MNR
DATE	10/12/01
APPD	SS
ALL DIMENSIONS ARE IN mm UNLESS OTHERWISE STATED	



AA No	DESCRIPTION	DATE	BY
AA	PROTOTYPE ISSUE	10/201	MNR

ISSUE AA No: AA DESCRIPTION: PROTOTYPE ISSUE DATE: 10/201 BY: MNR	
TITLE VHF UPLINK/DOWNLINK COMBINER SYSTEM DIAGRAM	
CUSTOMER Aerial Facilities Limited England Tel : 01494 777000 Fax : 01494 777002	
DRAWING No 50-030583	
SCALE N.T.S	
TOLERANCES NO DECIMAL PLACES ± 1mm TWO DECIMAL PLACES ± 0.2mm FIVE DECIMAL PLACES ± 0.1mm UNLESS OTHERWISE STATED	
DATE 10/12/01	APPD SS
THIS IS A PROPRIETARY DESIGN OF AERIAL FACILITIES LTD. REPRODUCTION OR USE OF THIS DESIGN BY OTHERS IS PERMISSIBLE ONLY IF EXPRESSLY AUTHORISED IN WRITING BY AERIAL FACILITIES LTD.	



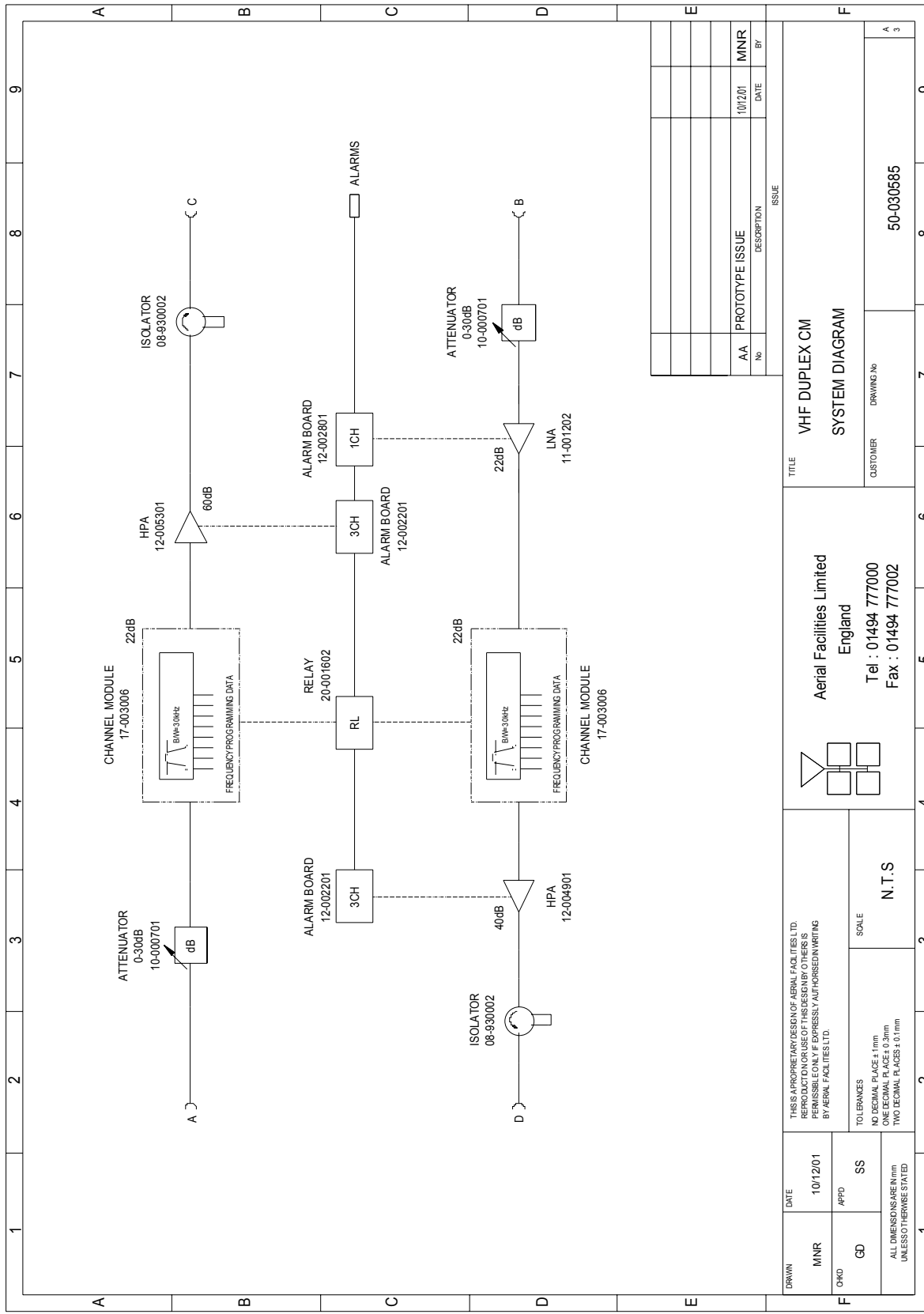
No	DESCRIPTION	DATE	BY
BA	ECN2805	16/05/02	MNR
AA	PROTOTYPE ISSUE	10/12/01	MNR

DRAWN MNR		DATE 10/12/01	TITLE VHF UPLINK SPLITTER	
CHKD GD	APPD SS	SCALE N.T.S	CUSTOMER Aerial Facilities Limited England Tel : 01494 77000 Fax : 01494 77002	
ALL DIMENSIONS ARE IN mm UNLESS OTHERWISE STATED		DRAWING No 50-030584		

THIS IS A PROPRIETARY DESIGN OF AERIAL FACILITIES LTD.
REPRODUCTION OR USE OF THIS DESIGN OR THESE IS
PERMISSIBLE ONLY IF EXPRESSLY AUTHORISED IN WRITING
BY AERIAL FACILITIES LTD.

TOLERANCES
NO DECIMAL PLACE ± 1mm
ONE DECIMAL PLACE ± 0.3mm
TWO DECIMAL PLACES ± 0.1mm

ISSUE

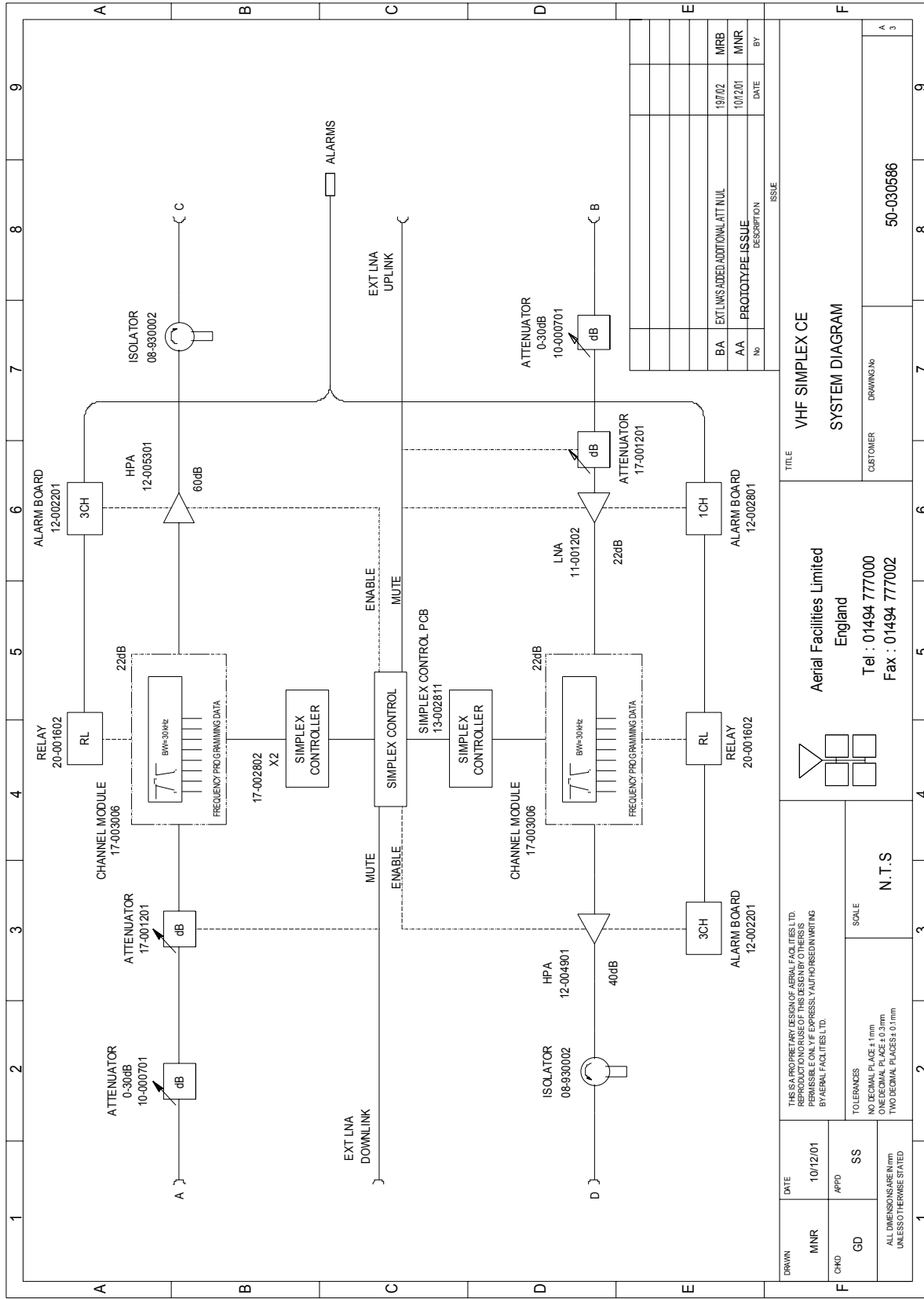


ISSUE	
AA No	DESCRIPTION
101201	MNR

DRAWN MNR 10/1201		DATE 10/1201	
CHKD GD		APPD SS	
ALL DIMENSIONS ARE IN mm UNLESS OTHERWISE STATED		SCALE N.T.S	
TOLERANCES NO DECIMAL PLACES, 1 mm ONE DECIMAL PLACES, 0.3 mm TWO DECIMAL PLACES, 0.1 mm		TOLERANCES N.T.S	
THIS IS A PROPRIETARY DESIGN OF AERIAL FACILITIES LTD. REPRODUCTION OR USE OF THIS DESIGN BY OTHERS IS PERMITTED ONLY IF EXPRESSLY AUTHORISED IN WRITING BY AERIAL FACILITIES LTD.		TITILE VHF DUPLEX CM	
Aerial Facilities Limited England Tel : 01494 777000 Fax : 01494 777002		SYSTEM DIAGRAM	
CUSTOMER		DRAWING No	
		50-030585	

A
3

9



No	DESCRIPTION	DATE	BY
BA	EXT LNAS ADDED, ADDITIONAL ATT NULL	19/02	MIRB
AA	PROTOTYPE ISSUE	10/12/01	MNR

TITLE		VHF SIMPLEX CE
CUSTOMER		50-030586
DRAWING No		50-030586
ISSUE		

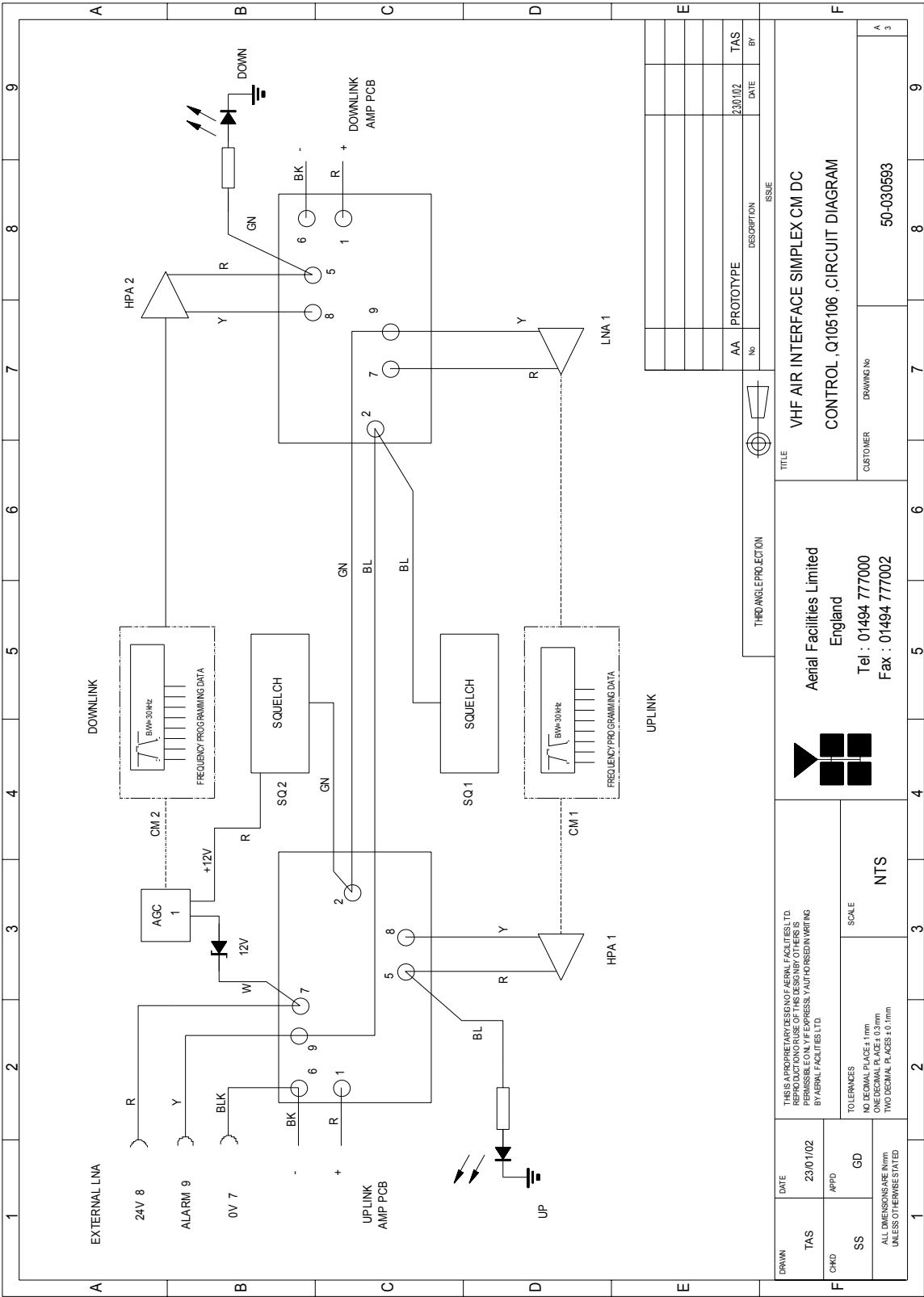
Aerial Facilities Limited
 England
 Tel : 01494 777000
 Fax : 01494 777002

THIS IS A PROPRIETARY DESIGN OF AERIAL FACILITIES LTD.
 REPRODUCTION OR USE OF THIS DESIGN BY OTHERS IS
 PERMISSIBLE ONLY IF EXPRESSLY AUTHORISED IN WRITING
 BY AERIAL FACILITIES LTD.

TOLERANCES
 NO DECIMAL PLACES ± 1.0mm
 ONE DECIMAL PLACE ± 0.3mm
 TWO DECIMAL PLACES ± 0.1mm

SCALE
 N.T.S

DRWN	DATE	10/12/01
MNR	APPD	SS
GD	ALL DIMENSIONS ARE IN mm UNLESS OTHERWISE STATED	



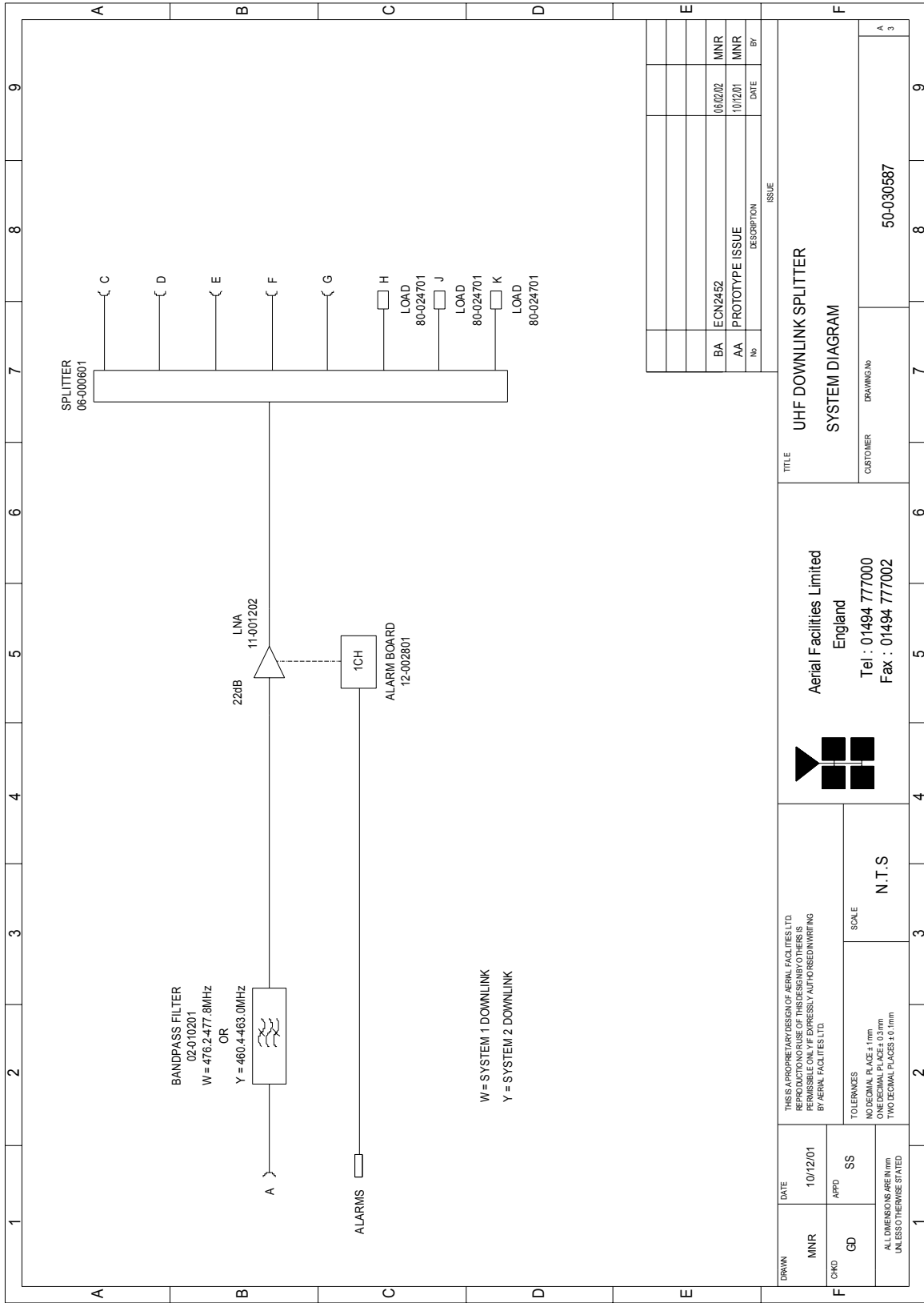
AA	PROTOTYPE	DESCRIPTION	ISSUE
TAS	23/01/02		
TAS			
TAS			

THRU ANGLE PROJECTION

Aerial Facilities Limited
 England
 Tel : 01494 777000
 Fax : 01494 777002

VHF AIR INTERFACE SIMPLEX CM DC CONTROL_Q105106_CIRCUIT DIAGRAM

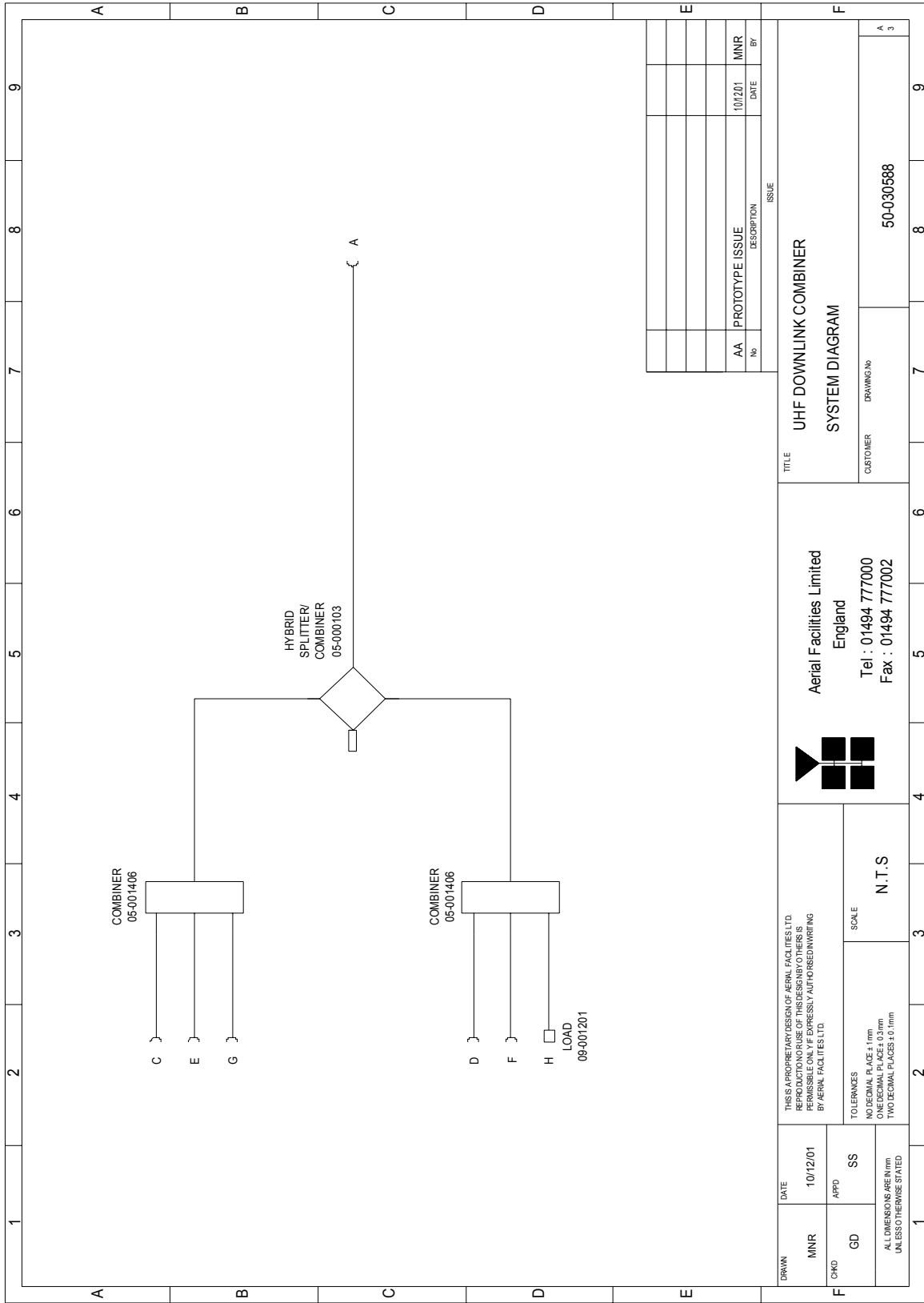
DATE	23/01/02	SCALE	NTS
APPD	GD		
SS	GD		
ALL DIMENSIONS ARE IN mm UNLESS OTHERWISE STATED			
TOLERANCES			
NO DECIMAL PLACES 1.0mm			
ONE DECIMAL PLACE 0.3mm			
TWO DECIMAL PLACES 0.1mm			
THIS IS A PROPRIETARY DESIGN OF AERIAL FACILITIES LTD. REPRODUCTION OR USE OF THIS DESIGN BY OTHERS IS PERMITTED ONLY BY EXPRESS AUTHORIZATION WRITING BY AERIAL FACILITIES LTD.			



W = SYSTEM 1 DOWNLINK
 Y = SYSTEM 2 DOWNLINK


No	DESCRIPTION	DATE	BY
BA	ECN2452	08/02/02	MNR
AA	PROTOTYPE ISSUE	10/12/01	MNR

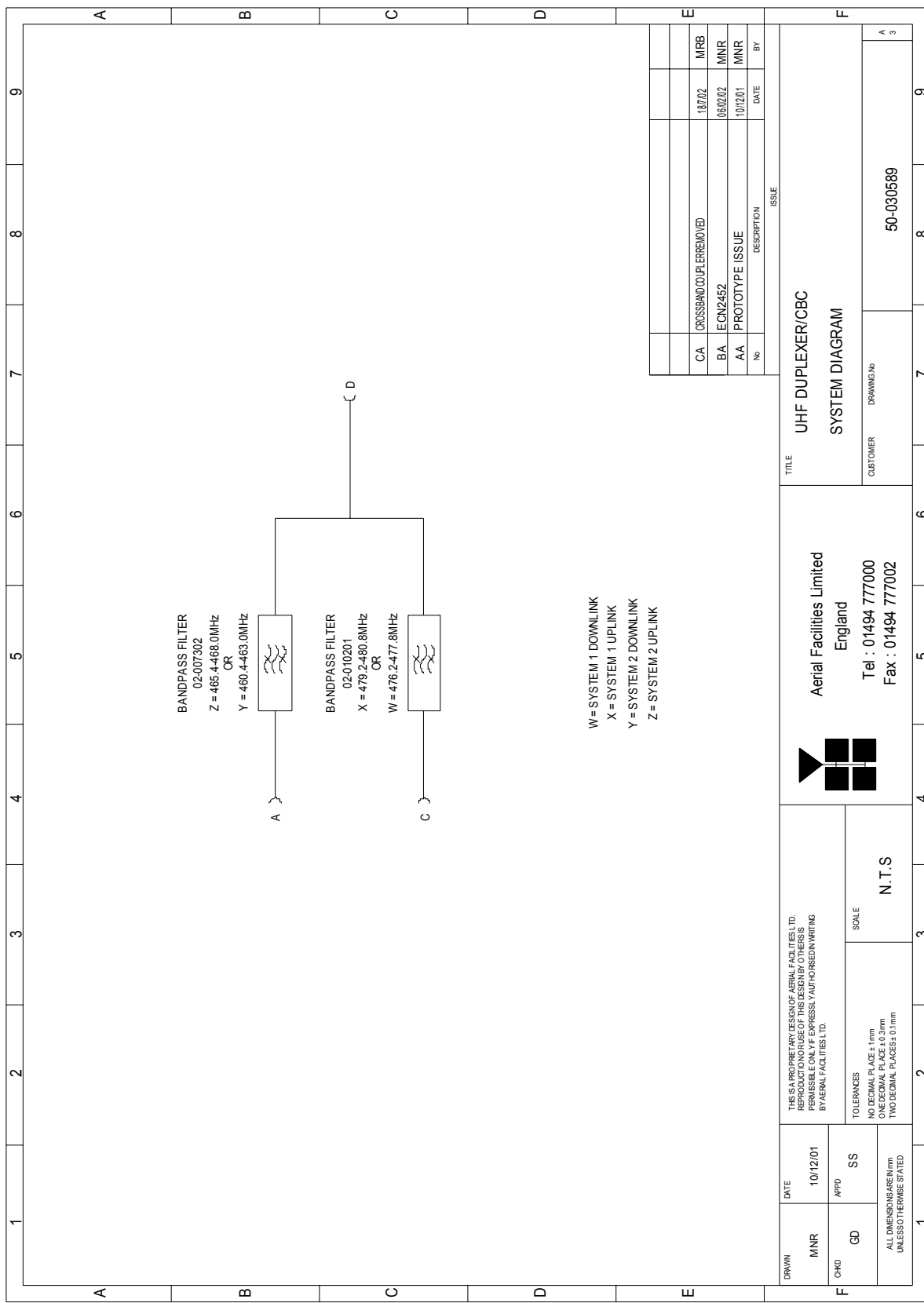
<p>THIS IS A PROPRIETARY DESIGN OF AERIAL FACILITIES LTD REPRODUCTION OR USE OF THIS DESIGN BY OTHERS IS PERMISSIBLE ONLY IF EXPRESSLY AUTHORIZED IN WRITING BY AERIAL FACILITIES LTD.</p>	<p>DATE: 10/12/01</p>	<p>TOLERANCES NO DECIMAL PLACES ± 1mm ONE DECIMAL PLACE ± 0.3mm TWO DECIMAL PLACES ± 0.1mm</p>
<p>SCALE: N.T.S</p>	<p>APRD: SS</p>	<p>AL DIMENSIONS ARE IN mm UNLESS OTHERWISE STATED</p>
<p>DRAWN: MNR</p>	<p>TITLE: UHF DOWNLINK SPLITTER SYSTEM DIAGRAM</p>	<p>CUSTOMER: DRAWING No</p>
<p>CHKD: GD</p>	<p>Aerial Facilities Limited England Tel : 01494 777000 Fax : 01494 777002</p>	<p>50-030587</p>
<p>ALL DIMENSIONS ARE IN mm UNLESS OTHERWISE STATED</p>	<p>ISSUE</p>	<p>3</p>



No.	DESCRIPTION	DATE	BY
AA	PROTOTYPE ISSUE	10/12/01	MNR

DRAWN MNR	DATE 10/12/01	THIS IS A PROPRIETARY DESIGN OF AERIAL FACILITIES LTD. REPRODUCTION OR USE OF THIS DESIGN BY OTHERS IS PERMITTED ONLY IF EXPRESSLY AUTHORIZED IN WRITING BY AERIAL FACILITIES LTD.	
CHKD GD	APPD SS	TOLERANCES NO DECIMAL PLACES ± 1mm ONE DECIMAL PLACE ± 0.3mm TWO DECIMAL PLACES ± 0.1mm	SCALE N.T.S
ALL DIMENSIONS ARE IN mm UNLESS OTHERWISE STATED		TITLE UHF DOWNLINK COMBINER SYSTEM DIAGRAM	
CUSTOMER		DRAWING No 50-030588	A 3


Aerial Facilities Limited
 England
 Tel : 01494 777000
 Fax : 01494 777002



No	DESCRIPTION	DATE	BY
CA	CROSSBAND OUTLET REMOVED	18/02	MNR
BA	ECN2452	06/02/02	MNR
AA	PROTOTYPE ISSUE	10/12/01	MNR

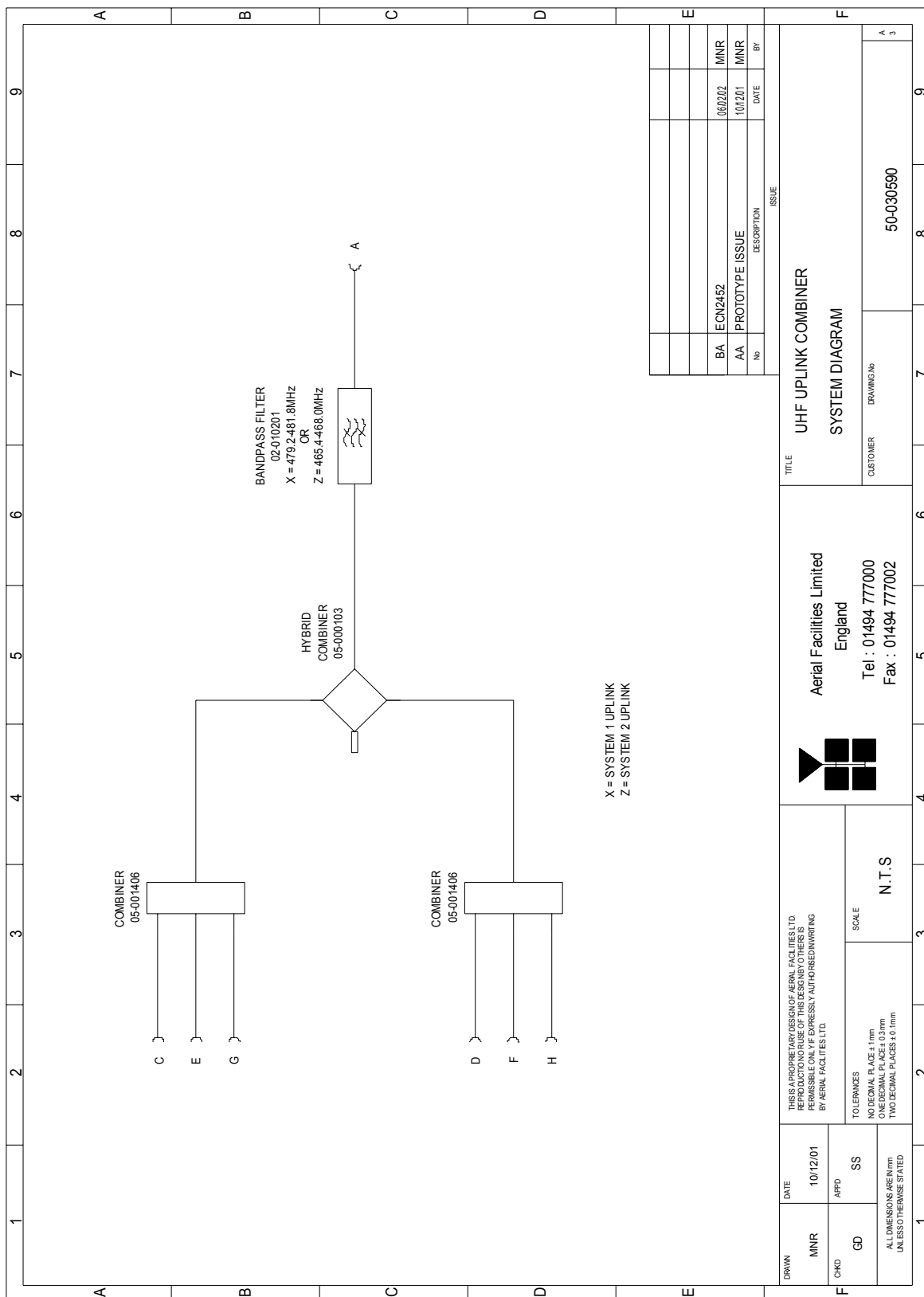
TITLE UHF DUPLEXER/CBC SYSTEM DIAGRAM	
CUSTOMER	DRAWING No
Aerial Facilities Limited England	50-030589

THIS IS A PROPRIETARY DESIGN OF AERIAL FACILITIES LTD.
 REPRODUCTION OR USE OF THIS DESIGN BY OTHERS IS
 PERMISSIBLE ONLY IF EXPRESSLY AUTHORISED IN WRITING
 BY AERIAL FACILITIES LTD.

Aerial Facilities Limited
 England
 Tel : 01494 777000
 Fax : 01494 777002

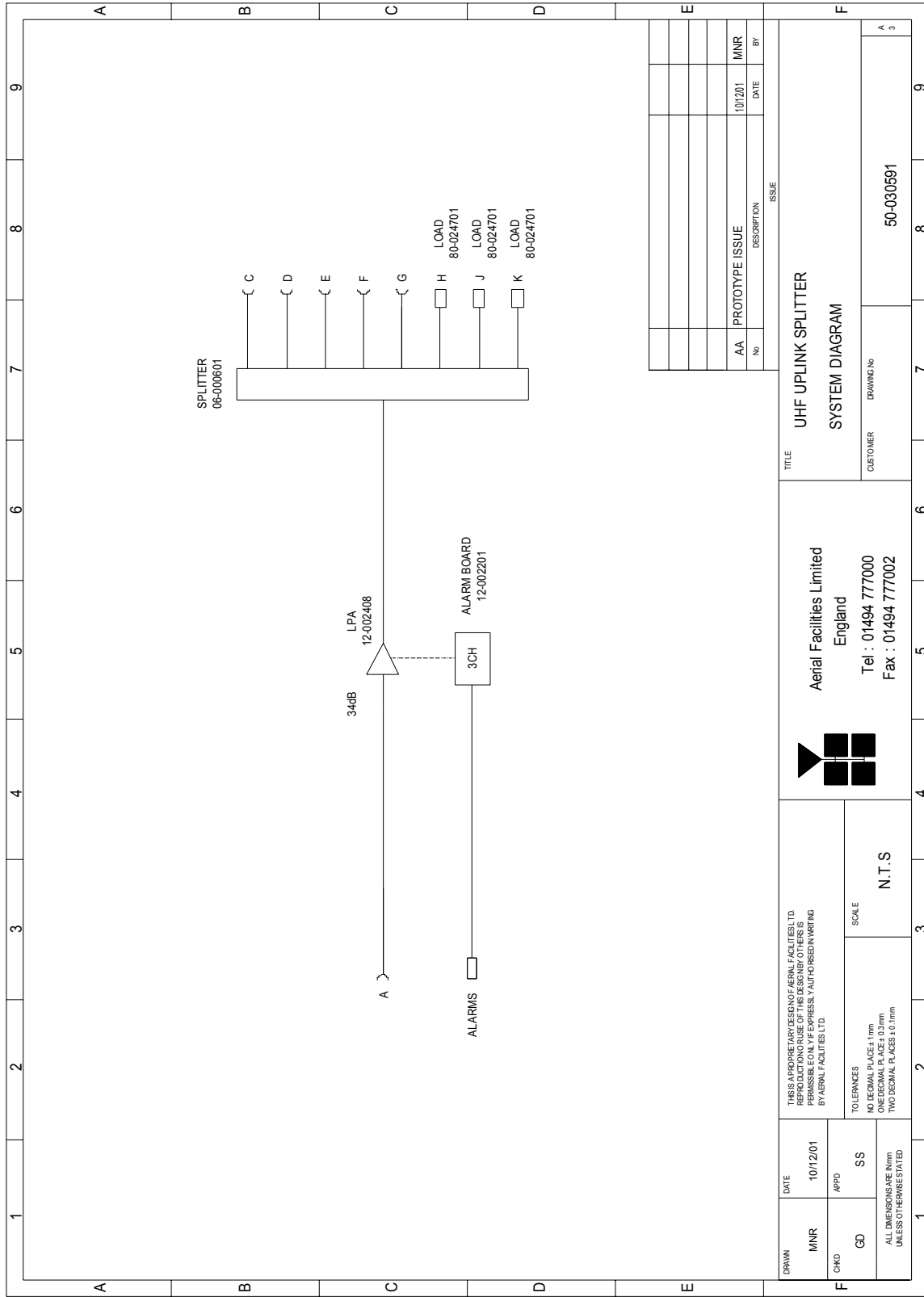
TO TOLERANCES NO DECIMAL PLACES ± 1mm ONE DECIMAL PLACE ± 0.3mm TWO DECIMAL PLACES ± 0.1mm	SCALE N.T.S
---	-----------------------

DRAWN MNR	DATE 10/12/01
C/KO GD	APPD SS
ALL DIMENSIONS ARE IN mm UNLESS OTHERWISE STATED	



No	DESCRIPTION	DATE	BY
BA	ECN2452	06/02/02	MNR
AA	PROTOTYPE ISSUE	10/12/01	MNR

DRAWN MNR DATE 10/12/01		TITLE UHF UPLINK COMBINER SYSTEM DIAGRAM	
CHD GD APD SS		CUSTOMER Aerial Facilities Limited England Tel : 01494 777000 Fax : 01494 777002	
ALL DIMENSIONS ARE IN mm UNLESS OTHERWISE STATED		DRAWING No 50-030590	
TOLERANCES NO DECIMAL PLACES 1.0mm ONE DECIMAL PLACE 0.3mm TWO DECIMAL PLACES 0.1mm		SCALE N.T.S	

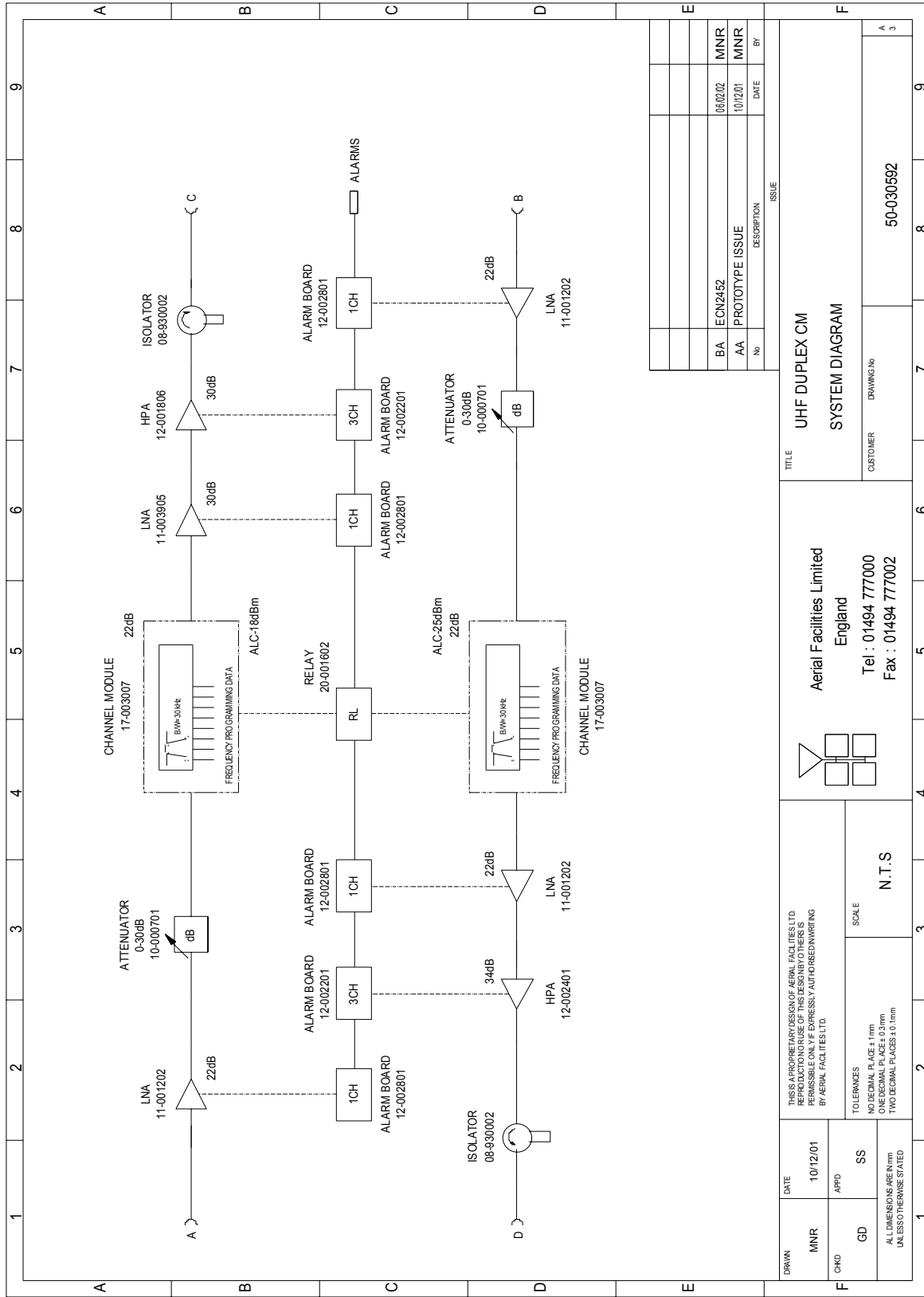


NO	DESCRIPTION	DATE	BY
AA	PROTOTYPE ISSUE	10/12/01	MNR

THIS IS A PROPRIETARY DESIGN OF AERIAL FACILITIES LTD. REPRODUCTION OR USE OF THIS DESIGN BY OTHERS IS PERMITTED ONLY BY EXPRESS AUTHORIZATION IN WRITING BY AERIAL FACILITIES LTD.		DATE 10/12/01	
TOLERANCES NO DECIMAL PLACES 1.0mm ONE DECIMAL PLACE 0.3mm TWO DECIMAL PLACES 0.1mm UNLESS OTHERWISE STATED		SCALE N.T.S	
ALL DIMENSIONS ARE IN mm UNLESS OTHERWISE STATED		DATE 10/12/01	
NO AA		DESCRIPTION PROTOTYPE ISSUE	
DATE 10/12/01		BY MNR	
TITLE UHF UPLINK SPLITTER SYSTEM DIAGRAM			
CUSTOMER Aerial Facilities Limited England Tel : 01494 777000 Fax : 01494 777002		DRAWING NO 50-030591	



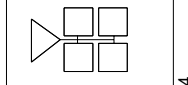
Aerial Facilities Limited
 England
 Tel : 01494 777000
 Fax : 01494 777002



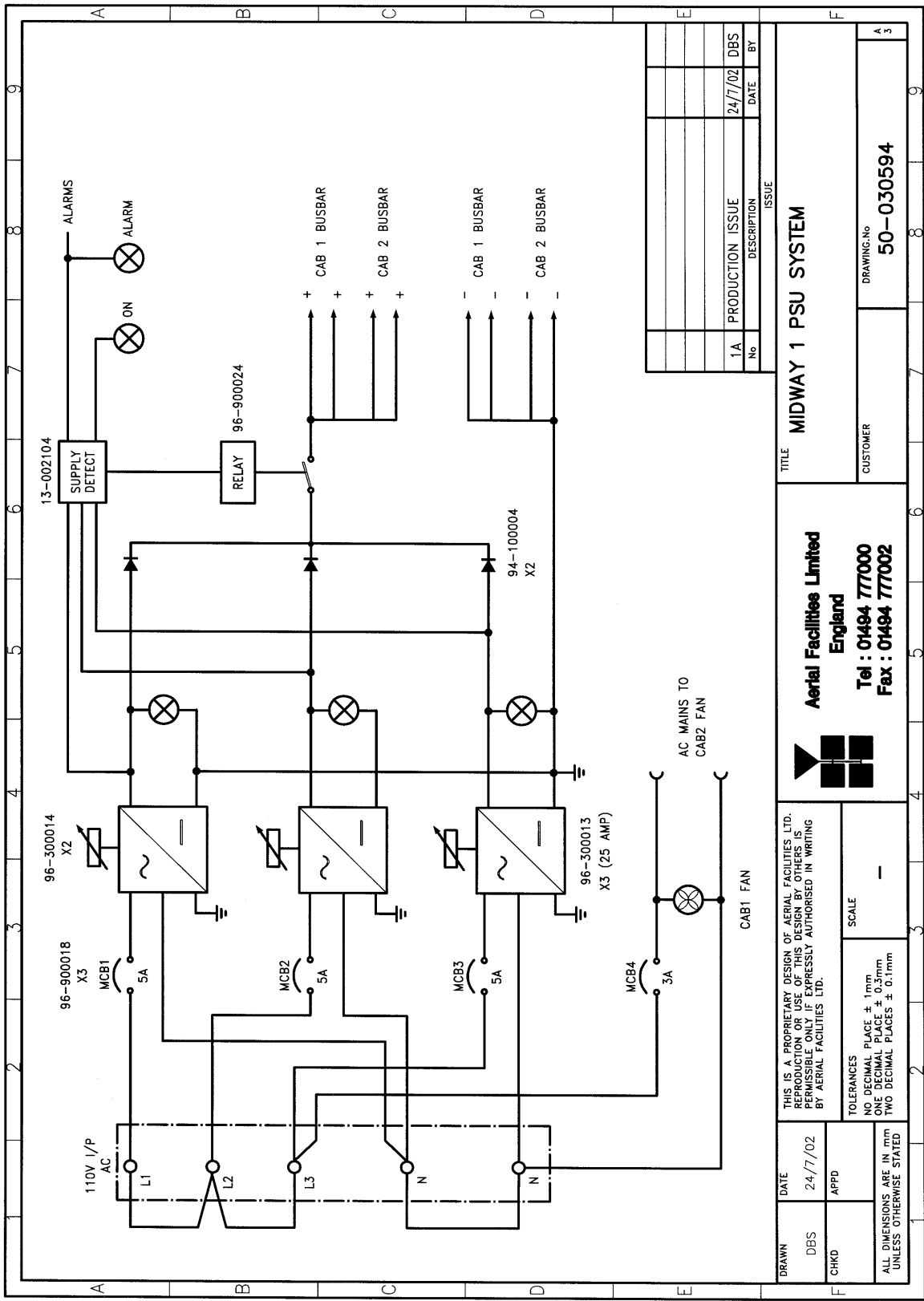
No	DESCRIPTION	DATE	BY
BA	ECN2452	06/02/02	MNR
AA	PROTOTYPE ISSUE	10/12/01	MNR

DRAWN		DATE	TITLE	
MNR	10/12/01	UHF DUPLEX CM SYSTEM DIAGRAM		
CHD	APD	CUSTOMER DRAWING No		
GD	SS	50-030592		
ALL DIMENSIONS ARE IN mm UNLESS OTHERWISE STATED		A 3		
TOLERANCES		SCALE		
NO DECIMAL PLACES 1.0mm		N.T.S		
ONE DECIMAL PLACE 0.3mm				
TWO DECIMAL PLACES 0.1mm				

Aerial Facilities Limited
 England
 Tel : 01494 777000
 Fax : 01494 777002



THIS IS A PROPRIETARY DESIGN OF AERIAL FACILITIES LTD.
 REPRODUCTION OR USE OF THIS DESIGN BY OTHERS IS
 PERMISSIBLE ONLY IF EXPRESSLY AUTHORIZED IN WRITING
 BY AERIAL FACILITIES LTD.



DRAWN DBS
 DATE 24/7/02
 APPD
 ALL DIMENSIONS ARE IN mm UNLESS OTHERWISE STATED

THIS IS A PROPRIETARY DESIGN OF AERIAL FACILITIES LTD. REPRODUCTION OR USE OF THIS DESIGN BY OTHERS IS PERMISSIBLE ONLY IF EXPRESSLY AUTHORISED IN WRITING BY AERIAL FACILITIES LTD.
 TOLERANCES
 NO DECIMAL PLACE ± 1mm
 ONE DECIMAL PLACE ± 0.3mm
 TWO DECIMAL PLACES ± 0.1mm
 SCALE -

Aerial Facilities Limited
England
Tel : 01494 777000
Fax : 01494 777002

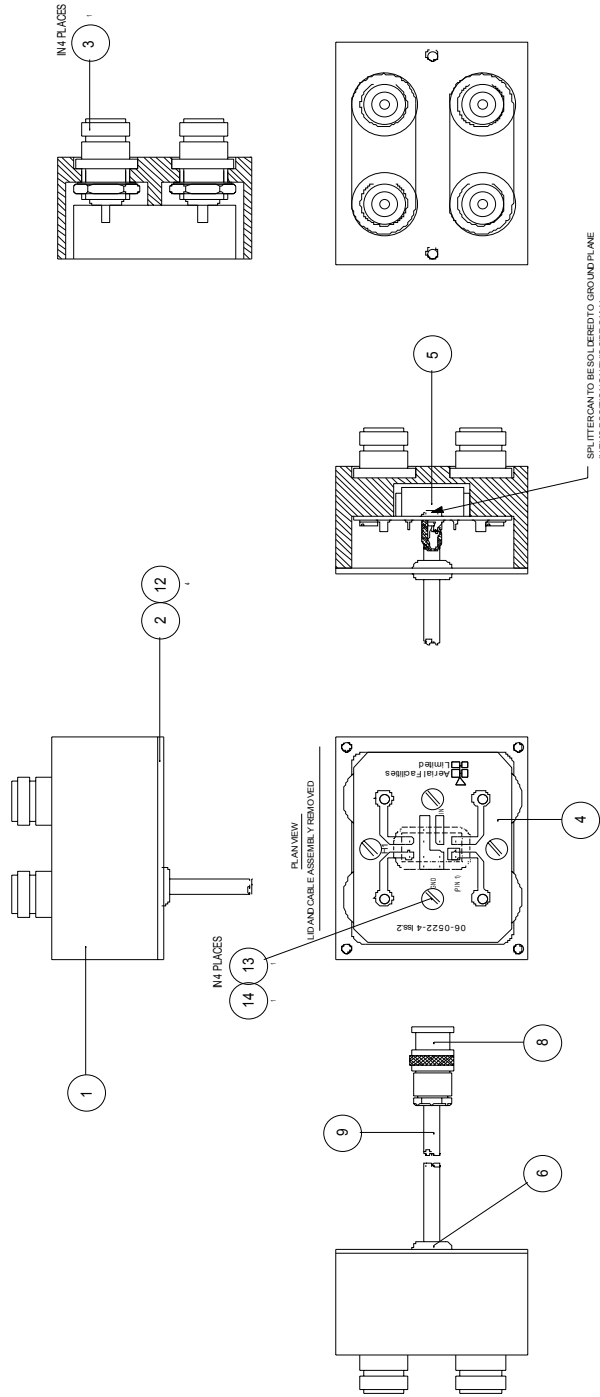
TITLE MIDWAY 1 PSU SYSTEM
 CUSTOMER
 DRAWING No 50-030594

ISSUE		
No	DESCRIPTION	DATE

USED ON

06-0501-D

THIRD ANGLE PROJECTION



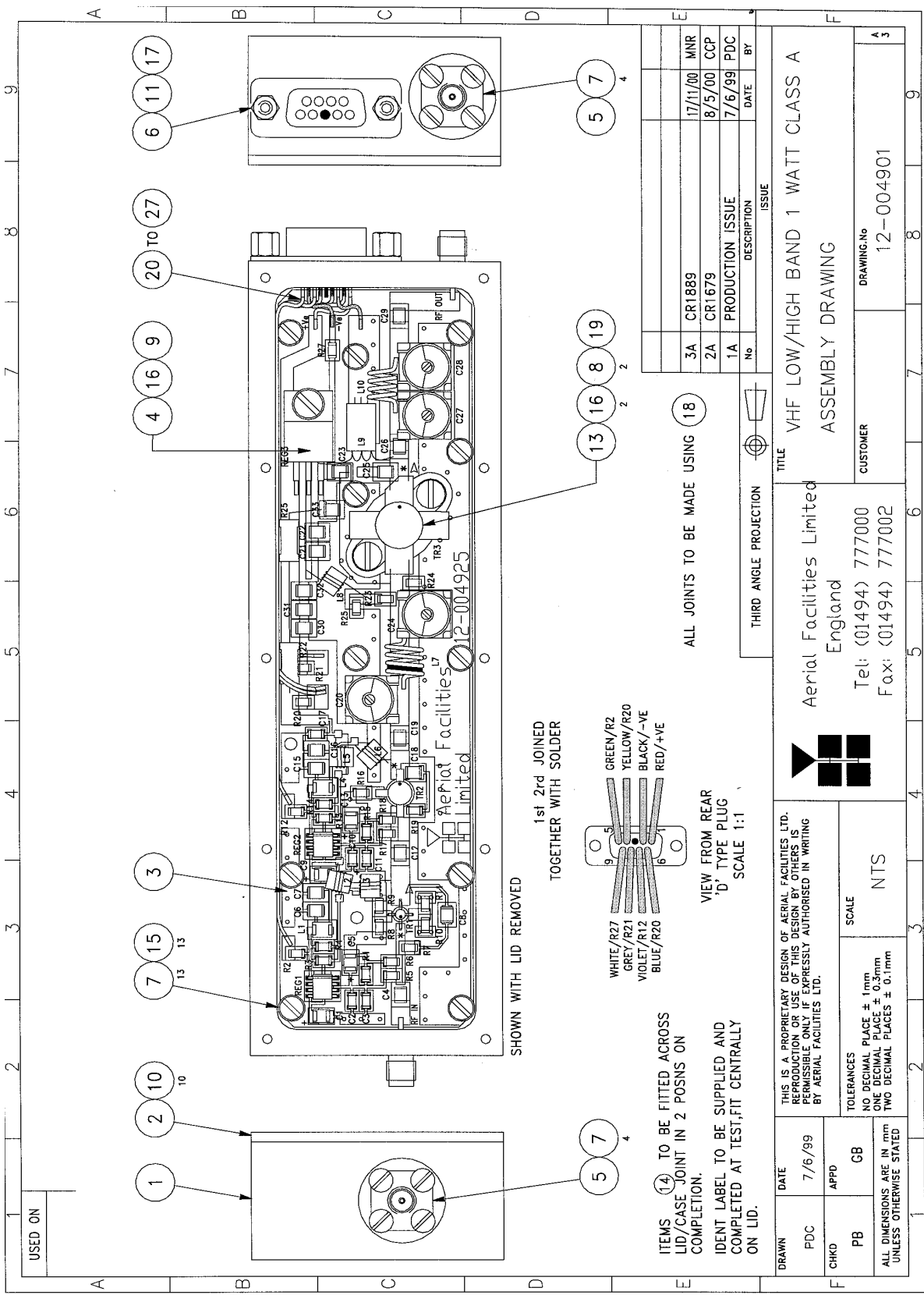
NOTES:

- 1/ ALL SOLDER CONNECTIONS TO BE MADE USING ITEM 7
- 2/ ITEM 9 TO BE CUT TO 70mm BEFORE TERMINATION

VIEW OR SLITTER PINS

ENSURE CORRECT ORIENTATION OF SPLITTER ON PCB

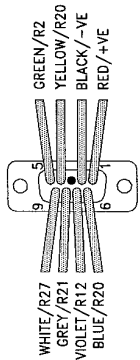
NO.	DESCRIPTION	DATE	MRB	DL	DATE	MRB	DL	DATE	MRB	DL	
2A	PRODUCTION ISSUE (CR0962)	10/06/92			01/06/92						
1	PRODUCTION ISSUE	05/02			01/06/92						
DESCRIPTION		DATE		DATE		DATE		DATE		DATE	
UNLESS OTHERWISE STATED											
SCALE 1:1											
TOLERANCES NO DECIMAL PLACES 1.1mm ONE DECIMAL PLACES 0.5mm TWO DECIMAL PLACES 0.25mm											
THIS IS A PROPRIETARY DESIGN OF AERIAL FACILITIES LTD REPRODUCTION OR USE OF THIS DESIGN BY OTHERS IS STRICTLY PROHIBITED WITHOUT THE WRITTEN AUTHORITY OF AERIAL FACILITIES LTD.											
Aerial Facilities Ltd England Little Chalfont (0494) 783636 Tele 0494 837786			TITLE 4 WAY RECEIVER HYBRID UNIT, ASSEMBLY								
CUSTOMER		ENG. NO.		06-000501		ISS		2A			



USED ON

SHOWN WITH LID REMOVED

1st 2rd JOINED TOGETHER WITH SOLDER



ITEMS 14 TO BE FITTED ACROSS LID/CASE JOINT IN 2 POSNS ON COMPLETION.

IDENT LABEL TO BE SUPPLIED AND COMPLETED AT TEST, FIT CENTRALLY ON LID.

ALL JOINTS TO BE MADE USING 18

THIRD ANGLE PROJECTION

ISSUE

No	DESCRIPTION	DATE	BY
3A	CR1889	17/11/00	MNR
2A	CR1679	8/5/00	CCP
1A	PRODUCTION ISSUE	7/6/99	PDC

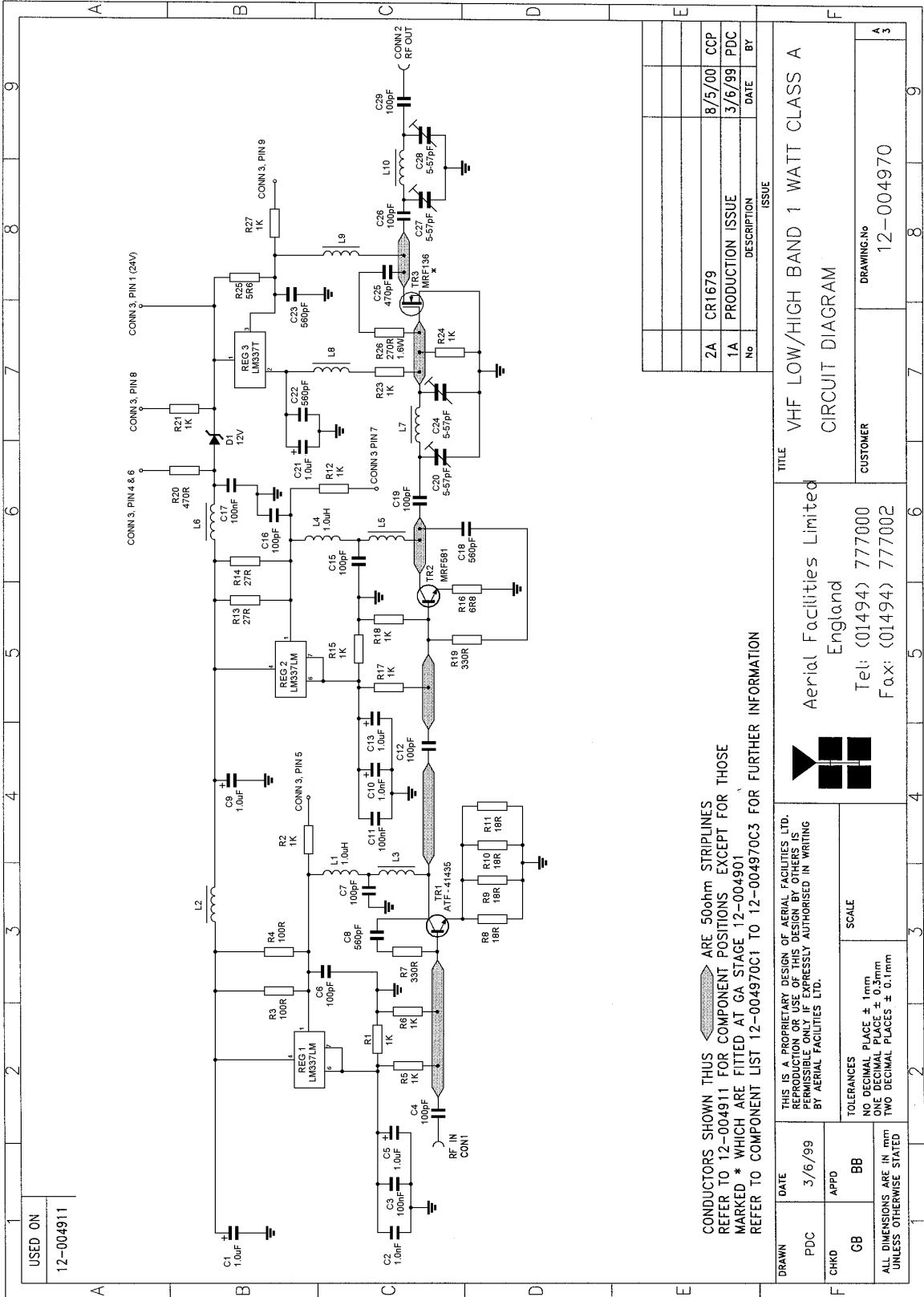
DRAWN PDC DATE 7/6/99
 CHKD APPD
 PB GB
 ALL DIMENSIONS ARE IN mm UNLESS OTHERWISE STATED

TOLERANCES
 NO DECIMAL PLACE ± 1mm
 ONE DECIMAL PLACE ± 0.5mm
 TWO DECIMAL PLACES ± 0.1mm

SCALE NTS

Aerial Facilities Limited
 England
 Tel: (01494) 777000
 Fax: (01494) 777002

TITLE VHF LOW/HIGH BAND 1 WATT CLASS A
 ASSEMBLY DRAWING
 CUSTOMER 12-004901
 DRAWING No 12-004901
 A 3

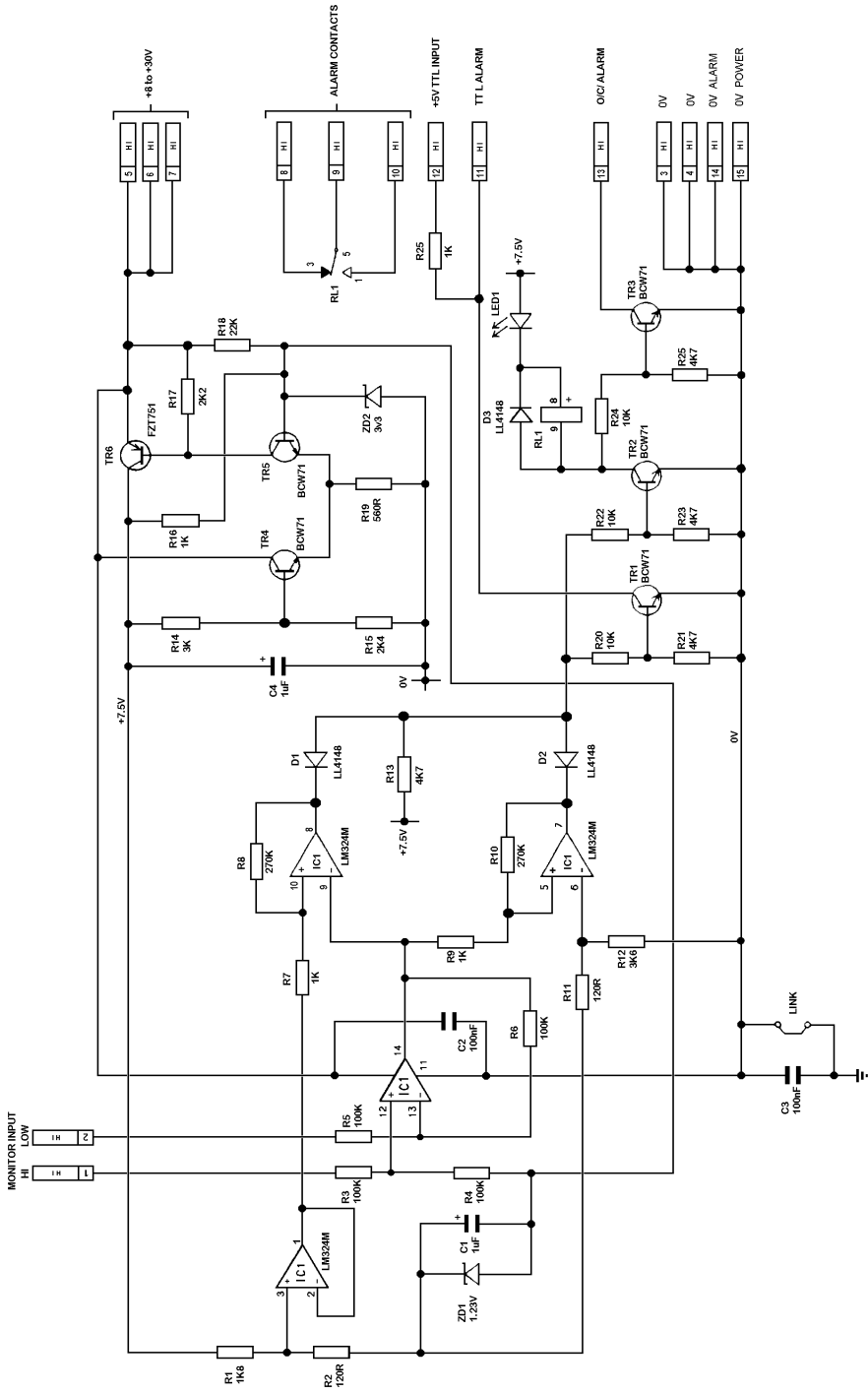


USED ON
12-004911

CONDUCTORS SHOWN THUS  ARE 50ohm STRIPLINES
REFER TO 12-004911 FOR COMPONENT POSITIONS EXCEPT FOR THOSE
MARKED * WHICH ARE FITTED AT GA STAGE 12-004901
REFER TO COMPONENT LIST 12-004970C1 TO 12-004970C3 FOR FURTHER INFORMATION

No	DESCRIPTION	DATE	BY
2A	CR1679	8/5/00	CCP
1A	PRODUCTION ISSUE	3/6/99	PDC

<table border="1"> <tr> <td>DATE</td> <td>3/6/99</td> </tr> <tr> <td>APPD</td> <td>BB</td> </tr> </table>	DATE	3/6/99	APPD	BB	<table border="1"> <tr> <td>DATE</td> <td>3/6/99</td> </tr> <tr> <td>BY</td> <td>PDC</td> </tr> </table>	DATE	3/6/99	BY	PDC		
DATE	3/6/99										
APPD	BB										
DATE	3/6/99										
BY	PDC										
<table border="1"> <tr> <td>CHKD</td> <td>GB</td> </tr> </table>	CHKD	GB	<table border="1"> <tr> <td>SCALE</td> <td></td> </tr> </table>	SCALE							
CHKD	GB										
SCALE											
<table border="1"> <tr> <td>ALL DIMENSIONS ARE IN mm UNLESS OTHERWISE STATED</td> <td></td> </tr> </table>	ALL DIMENSIONS ARE IN mm UNLESS OTHERWISE STATED		<table border="1"> <tr> <td>TOLERANCES</td> <td></td> </tr> <tr> <td>NO DECIMAL PLACE ± 1mm</td> <td></td> </tr> <tr> <td>ONE DECIMAL PLACE ± 0.3mm</td> <td></td> </tr> <tr> <td>TWO DECIMAL PLACES ± 0.1mm</td> <td></td> </tr> </table>	TOLERANCES		NO DECIMAL PLACE ± 1mm		ONE DECIMAL PLACE ± 0.3mm		TWO DECIMAL PLACES ± 0.1mm	
ALL DIMENSIONS ARE IN mm UNLESS OTHERWISE STATED											
TOLERANCES											
NO DECIMAL PLACE ± 1mm											
ONE DECIMAL PLACE ± 0.3mm											
TWO DECIMAL PLACES ± 0.1mm											
<table border="1"> <tr> <td>TITLE</td> <td>VHF LOW/HIGH BAND 1 WATT CLASS A</td> </tr> <tr> <td>CUSTOMER</td> <td>Aerial Facilities Limited England Tel: (01494) 777000 Fax: (01494) 777002</td> </tr> <tr> <td>DRAWING No</td> <td>12-004970</td> </tr> </table>		TITLE	VHF LOW/HIGH BAND 1 WATT CLASS A	CUSTOMER	Aerial Facilities Limited England Tel: (01494) 777000 Fax: (01494) 777002	DRAWING No	12-004970				
TITLE	VHF LOW/HIGH BAND 1 WATT CLASS A										
CUSTOMER	Aerial Facilities Limited England Tel: (01494) 777000 Fax: (01494) 777002										
DRAWING No	12-004970										



TITLE: SINGLE CHANNEL ALARM POB
CIRCUIT DIAGRAM

CUSTOMER: Aerial Facilities Ltd.
England
Tel: 01494 777000
Fax: 01494 777002

THIS IS A PRIORITY DESIGN OF AERIAL FACILITIES LTD
REPRODUCTION OR USE OF THIS DESIGN BY OTHERS IS
PROHIBITED WITHOUT THE WRITTEN PERMISSION OF
AERIAL FACILITIES LTD

DATE: 5/5/94
DRAWN: PRB
CHECKED: CHD
SCALE: 10.16MMES
NO. OF SHEETS: 2
NO. OF SHEETS USED: 2

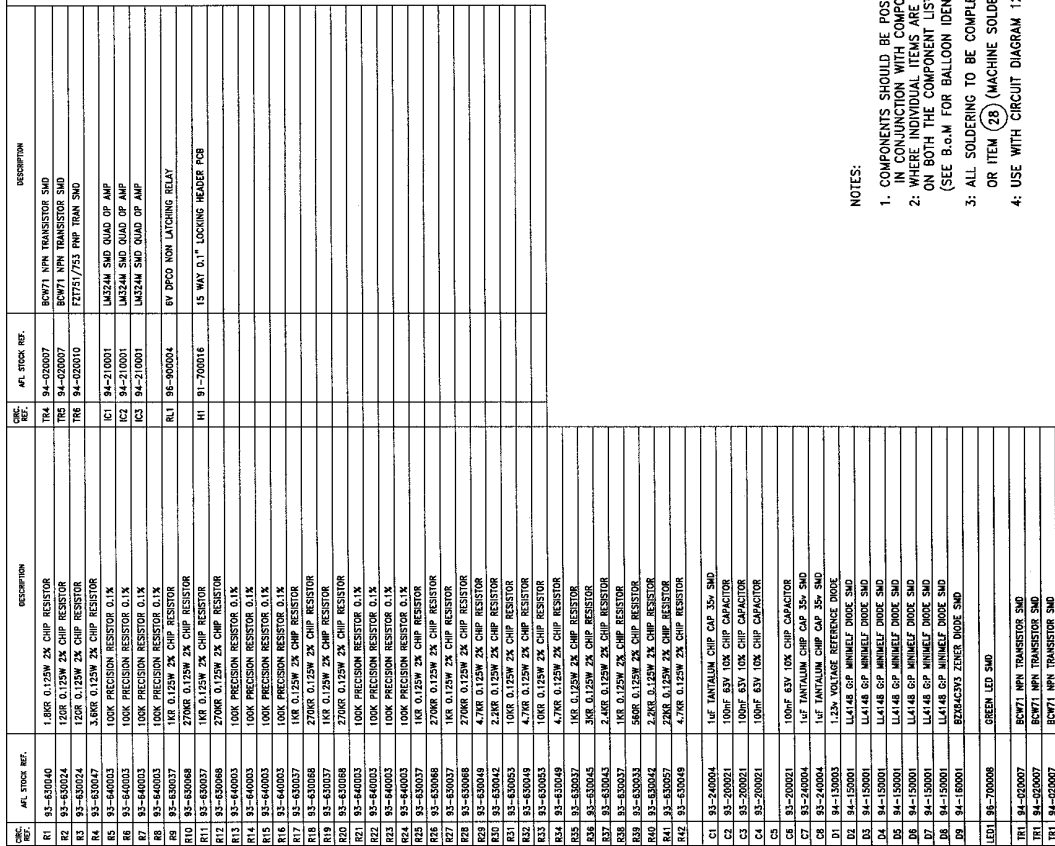
NO.	DESCRIPTION	DATE	BY
1	PRODUCTION ISSUE	5/5/94	PRB
2	REVISION	5/5/94	PRB

ALL DIMENSIONS ARE IN MM
UNLESS OTHERWISE STATED

DRG No. 12-002870
Iss. 2

USED ON

QTY	REF.	AL. STOCK NO.	DESCRIPTION	QTY	REF.	AL. STOCK NO.	DESCRIPTION
1	R1	95-63040	1.6K 0.125W 2% CHIP RESISTOR	TR4	94-02007	60W71 NPN TRANSISTOR SMD	
2	R2	95-63040	1.2K 0.125W 2% CHIP RESISTOR	TR5	94-02007	60W71 NPN TRANSISTOR SMD	
3	R3	95-63044	1.2K 0.125W 2% CHIP RESISTOR	TR6	94-02010	FZ751/753 PNP TRIN SMD	
4	R4	95-63047	3.6K 0.125W 2% CHIP RESISTOR	IC1	94-21001	LM324N SMD QUAD OP AMP	
5	R5	95-64003	100K PRECISION RESISTOR 0.1%	IC2	94-21001	LM324N SMD QUAD OP AMP	
6	R6	95-64003	100K PRECISION RESISTOR 0.1%	RL1	98-90004	8V DPXD NON LATCHING RELAY	
7	R7	95-64003	100K PRECISION RESISTOR 0.1%	HI	91-70016	15 WAY 0.1" LOCKING HEADER PCB	
8	R8	95-64003	100K PRECISION RESISTOR 0.1%				
9	R9	95-63067	1K 0.125W 2% CHIP RESISTOR				
10	R10	95-63068	270K 0.125W 2% CHIP RESISTOR				
11	R11	95-63067	1K 0.125W 2% CHIP RESISTOR				
12	R12	95-63068	270K 0.125W 2% CHIP RESISTOR				
13	R13	95-64003	100K PRECISION RESISTOR 0.1%				
14	R14	95-64003	100K PRECISION RESISTOR 0.1%				
15	R15	95-64003	100K PRECISION RESISTOR 0.1%				
16	R16	95-63037	1K 0.125W 2% CHIP RESISTOR				
17	R17	95-63037	1K 0.125W 2% CHIP RESISTOR				
18	R18	95-63068	270K 0.125W 2% CHIP RESISTOR				
19	R19	95-63037	1K 0.125W 2% CHIP RESISTOR				
20	R20	95-64003	100K PRECISION RESISTOR 0.1%				
21	R21	95-64003	100K PRECISION RESISTOR 0.1%				
22	R22	95-64003	100K PRECISION RESISTOR 0.1%				
23	R23	95-64003	100K PRECISION RESISTOR 0.1%				
24	R24	95-63037	1K 0.125W 2% CHIP RESISTOR				
25	R25	95-63068	270K 0.125W 2% CHIP RESISTOR				
26	R26	95-63037	1K 0.125W 2% CHIP RESISTOR				
27	R27	95-63037	1K 0.125W 2% CHIP RESISTOR				
28	R28	95-63068	270K 0.125W 2% CHIP RESISTOR				
29	R29	95-63049	4.7K 0.125W 2% CHIP RESISTOR				
30	R30	95-63042	2.2K 0.125W 2% CHIP RESISTOR				
31	R31	95-63065	10K 0.125W 2% CHIP RESISTOR				
32	R32	95-63049	4.7K 0.125W 2% CHIP RESISTOR				
33	R33	95-63045	10K 0.125W 2% CHIP RESISTOR				
34	R34	95-63049	4.7K 0.125W 2% CHIP RESISTOR				
35	R35	95-63037	1K 0.125W 2% CHIP RESISTOR				
36	R36	95-63045	30K 0.125W 2% CHIP RESISTOR				
37	R37	95-63045	2.4K 0.125W 2% CHIP RESISTOR				
38	R38	95-63067	1K 0.125W 2% CHIP RESISTOR				
39	R39	95-63065	56K 0.125W 2% CHIP RESISTOR				
40	R40	95-63042	2.2K 0.125W 2% CHIP RESISTOR				
41	R41	95-63067	270K 0.125W 2% CHIP RESISTOR				
42	R42	95-63049	4.7K 0.125W 2% CHIP RESISTOR				
43	R43	95-63044	1K 0.125W 2% CHIP RESISTOR				
44	R44	95-63044	1K 0.125W 2% CHIP RESISTOR				
45	R45	95-63044	1K 0.125W 2% CHIP RESISTOR				
46	R46	95-63044	1K 0.125W 2% CHIP RESISTOR				
47	R47	95-63044	1K 0.125W 2% CHIP RESISTOR				
48	R48	95-63044	1K 0.125W 2% CHIP RESISTOR				
49	R49	94-18001	820K 5% ZENER DIODE SMD				
50	LED1	95-70008	GREEN LED SMD				
51	TR1	94-02007	60W71 NPN TRANSISTOR SMD				
52	TR2	94-02007	60W71 NPN TRANSISTOR SMD				
53	TR3	94-02007	60W71 NPN TRANSISTOR SMD				



NOTES:

- COMPONENTS SHOULD BE POSITIONED USING SILK SCREEN REFERENCES IN CONJUNCTION WITH COMPONENT LIST.
- WHERE INDIVIDUAL ITEMS ARE NOT BALLOONED THE COMPONENT IS IDENTIFIED ON BOTH THE COMPONENT LIST AND THE DRAWING BY ITS COMPONENT REF. (SEE B.O.M FOR BALLOON IDENT)
- ALL SOLDERING TO BE COMPLETED USING ITEM (27) (HAND SOLDERING) OR ITEM (28) (MACHINE SOLDERING)
- USE WITH CIRCUIT DIAGRAM 12-002270

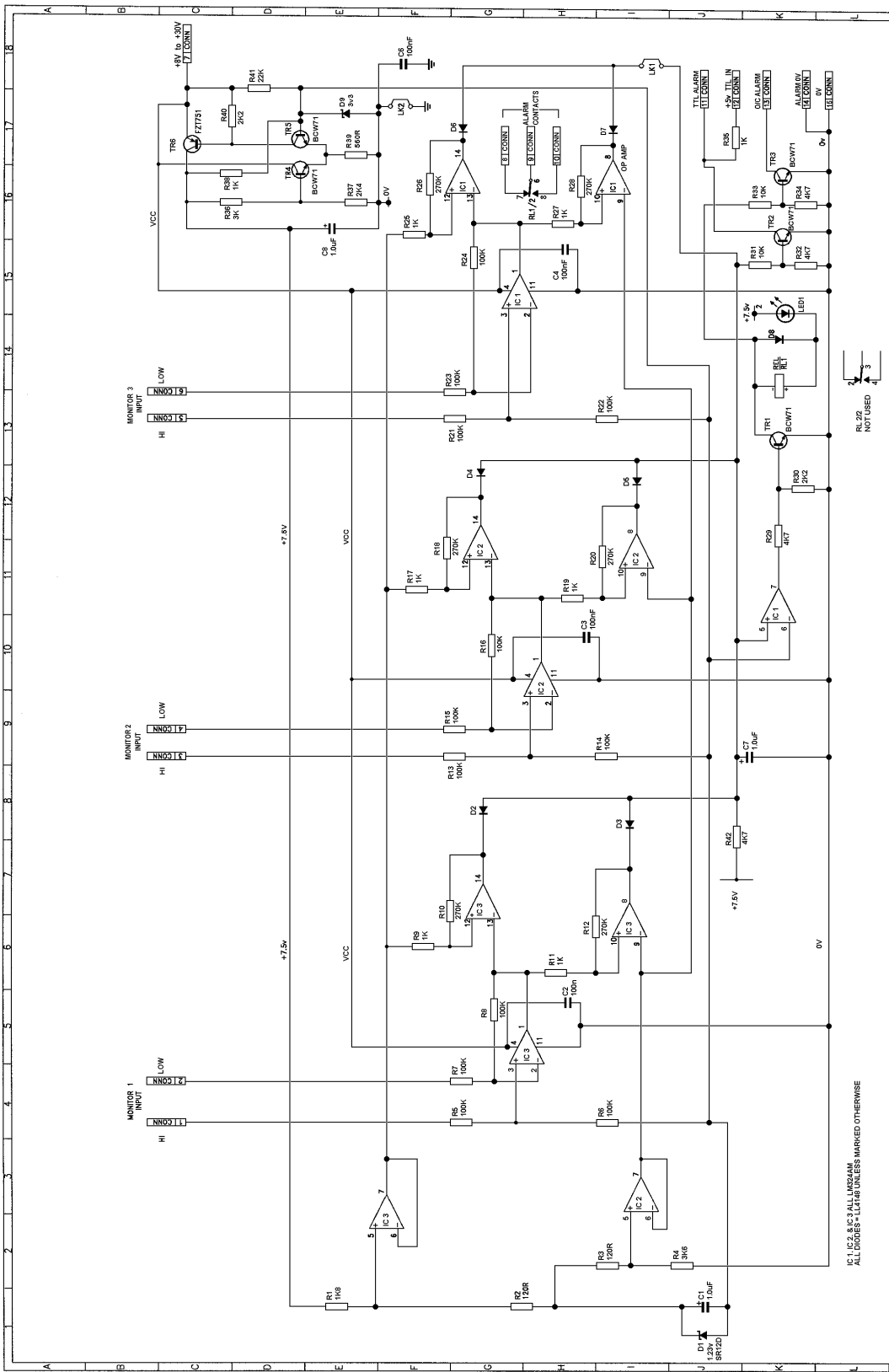
TITLE	3 STAGE AMPLIFIER ALARM BOARD ASSEMBLY
CUSTOMER	AERIAL FACILITIES LTD
BRG.No	12-002201
ISS	2A

DATE	14/6/94
SCALE	2:1
TOLERANCES	NO. DECIMAL PLACES ± 1mm DIMENSIONS ARE IN mm UNLESS OTHERWISE STATED

DATE	14/6/94
MRB	CHKD
DBS	APFD
MRB	BB
DATE	15/6/94
DESCRIPTION	ISSUE
2A	CR1679
1A	PRODUCTION ISSUE (CR0962)
1	PRODUCTION ISSUE (CR0596)

THIS IS A PROPRIETARY DESIGN OF AERIAL FACILITIES LTD. REPRODUCTION OR USE OF THIS DESIGN BY OTHERS IS STRICTLY PROHIBITED WITHOUT THE WRITTEN AUTHORIZATION BY AERIAL FACILITIES LTD.

Aerial Facilities Ltd
England
Tel: (01494) 777000
Fax (01494) 777002



USE U.S. S.I. UNITS ONLY UNLESS MARKED OTHERWISE
 ALL DIMENSIONS IN MILLIMETERS UNLESS OTHERWISE MARKED OTHERWISE

REV.	DATE	DESCRIPTION	BY	CHKD.	APP'D.
2	11/7/83	PRODUCTION ISSUE	RB	RB	RB
1	11/7/83	PRODUCTION ISSUE	RB	RB	RB
0	11/7/83	PRODUCTION ISSUE	RB	RB	RB

SCALE: N.T.S.

DATE: 11/7/83

BY: RB

CHKD.: RB

APP'D.: RB

ALL DIMENSIONS ARE IN MILLIMETERS UNLESS OTHERWISE MARKED OTHERWISE

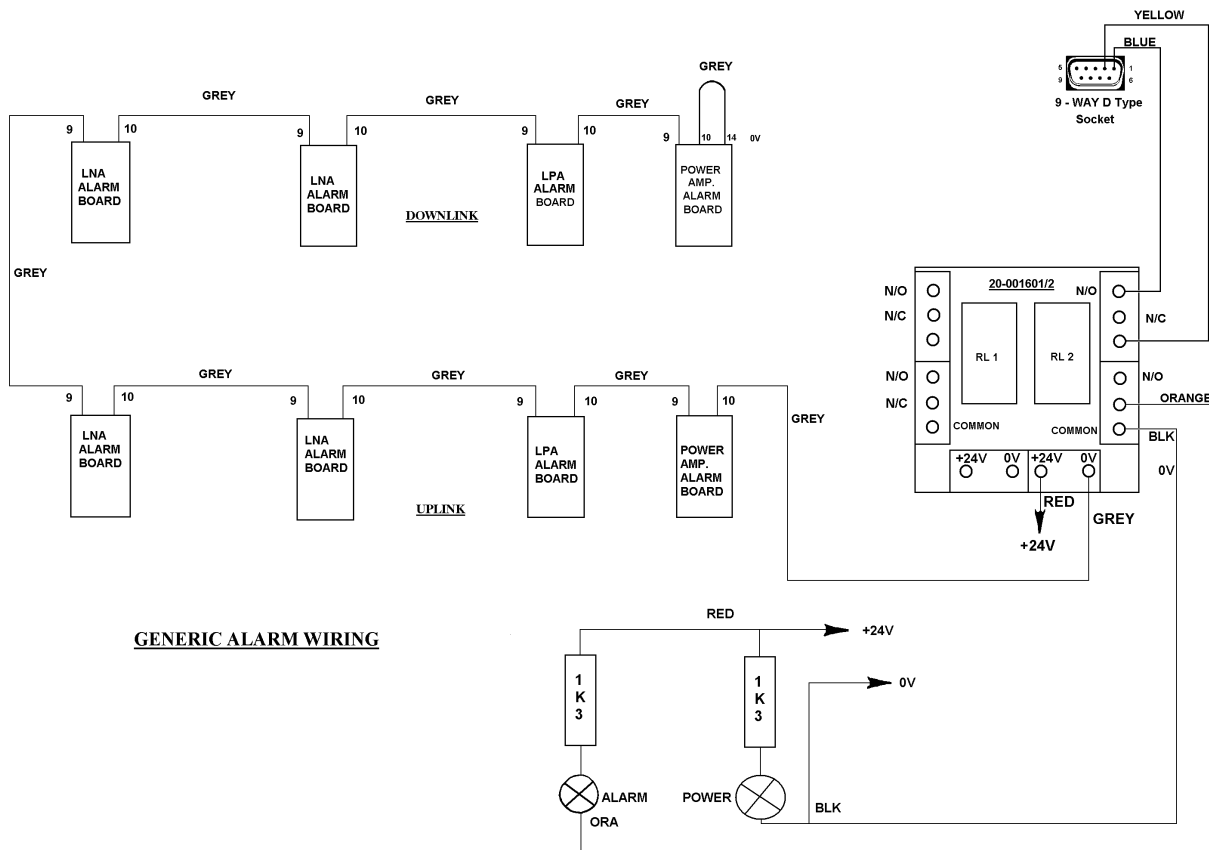
USE U.S. & SI DIMENSIONAL SYSTEMS OF AERIAL FACILITIES LTD. EXCEPT WHERE SHOWN OTHERWISE

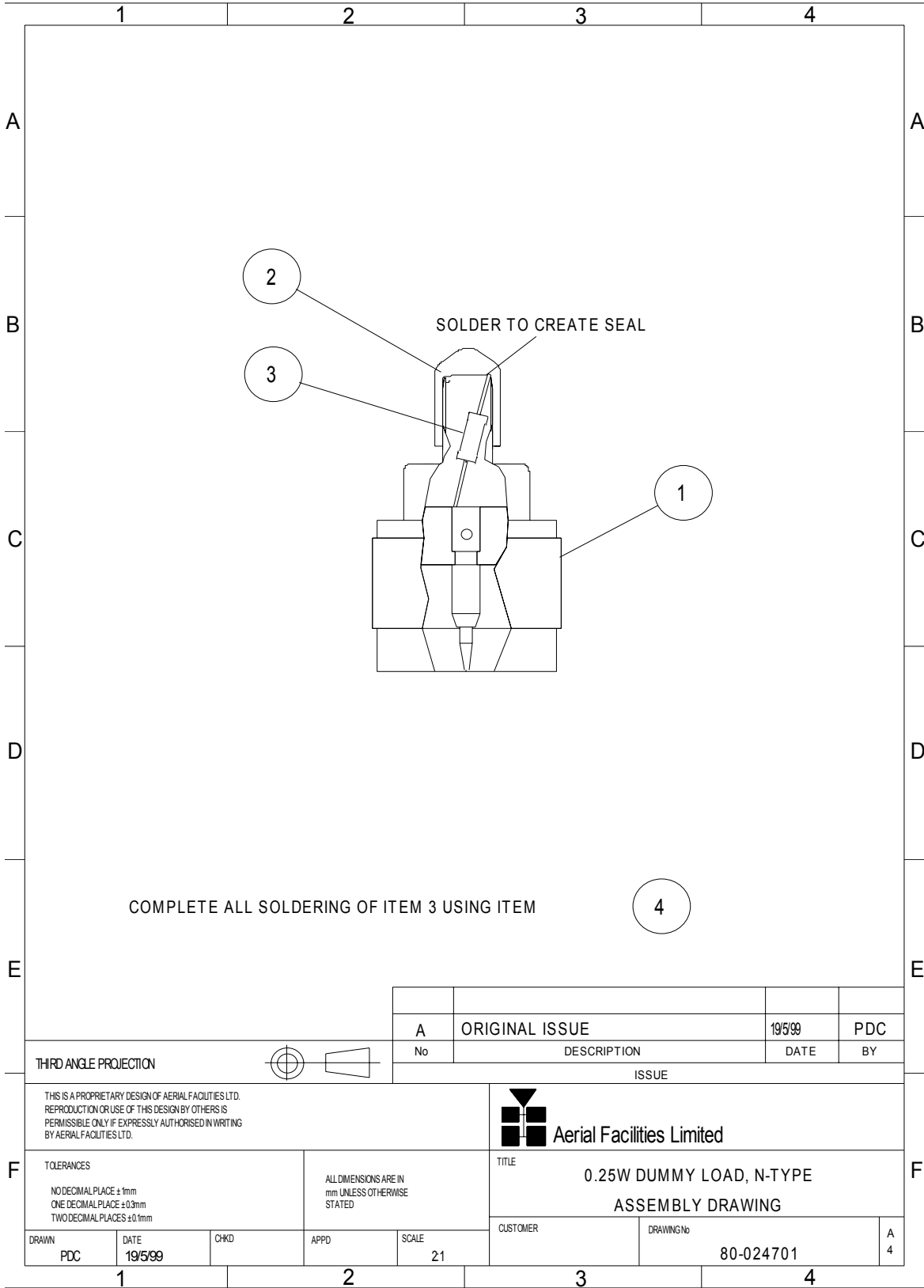
AERIAL FACILITIES LTD.
 ENGLAND

TEL: 01494 777000
 FAX: 01494 777002

CUSTOMER: 12-002270

3 STAGE AMPLIFIER ALARM BOARD
 CIRCUIT DIAGRAM



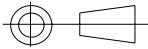


SOLDER TO CREATE SEAL

COMPLETE ALL SOLDERING OF ITEM 3 USING ITEM

4

THIRD ANGLE PROJECTION



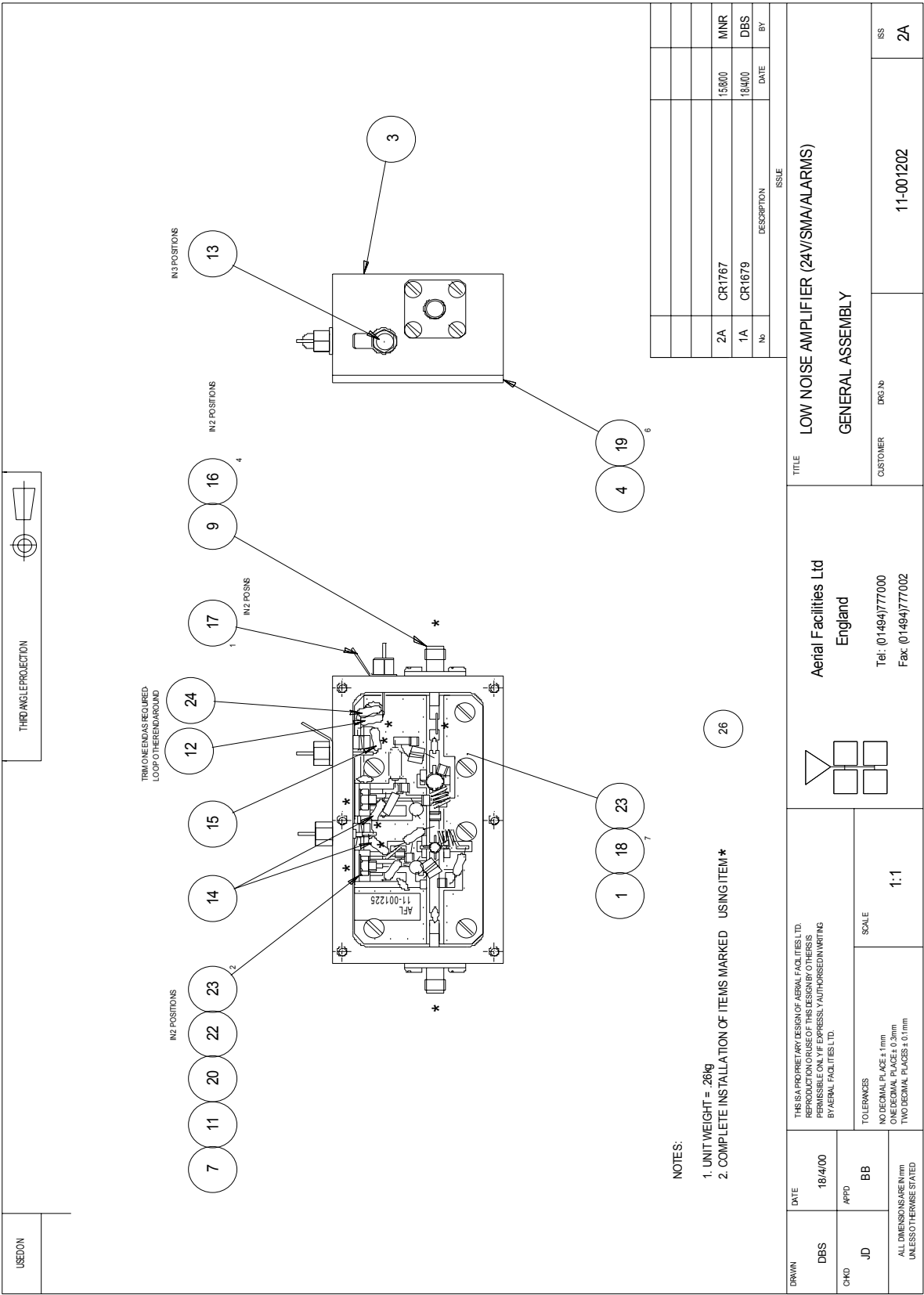
A	DESCRIPTION	DATE	BY
No	ORIGINAL ISSUE	19/5/99	PDC
ISSUE			

THIS IS A PROPRIETARY DESIGN OF AERIAL FACILITIES LTD.
 REPRODUCTION OR USE OF THIS DESIGN BY OTHERS IS
 PERMISSIBLE ONLY IF EXPRESSLY AUTHORISED IN WRITING
 BY AERIAL FACILITIES LTD.



TOLERANCES NO DECIMAL PLACE ±1mm ONE DECIMAL PLACE ±0.3mm TWO DECIMAL PLACES ±0.1mm		ALL DIMENSIONS ARE IN mm UNLESS OTHERWISE STATED		TITLE 0.25W DUMMY LOAD, N-TYPE ASSEMBLY DRAWING	
DRAWN PDC	DATE 19/5/99	CHKD	APPD	SCALE 2:1	CUSTOMER DRAWING No 80-024701

1 2 3 4



USED ON

THRU ANGLE PROJECTION

TRIM ON ENDS REQUIRED
LOOP OTHER END AROUND

IN2 POSITIONS

IN2 POSITIONS

IN3 POSITIONS

NOTES:

- 1. UNIT WEIGHT = .28kg
- 2. COMPLETE INSTALLATION OF ITEMS MARKED USING ITEM *

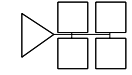
26

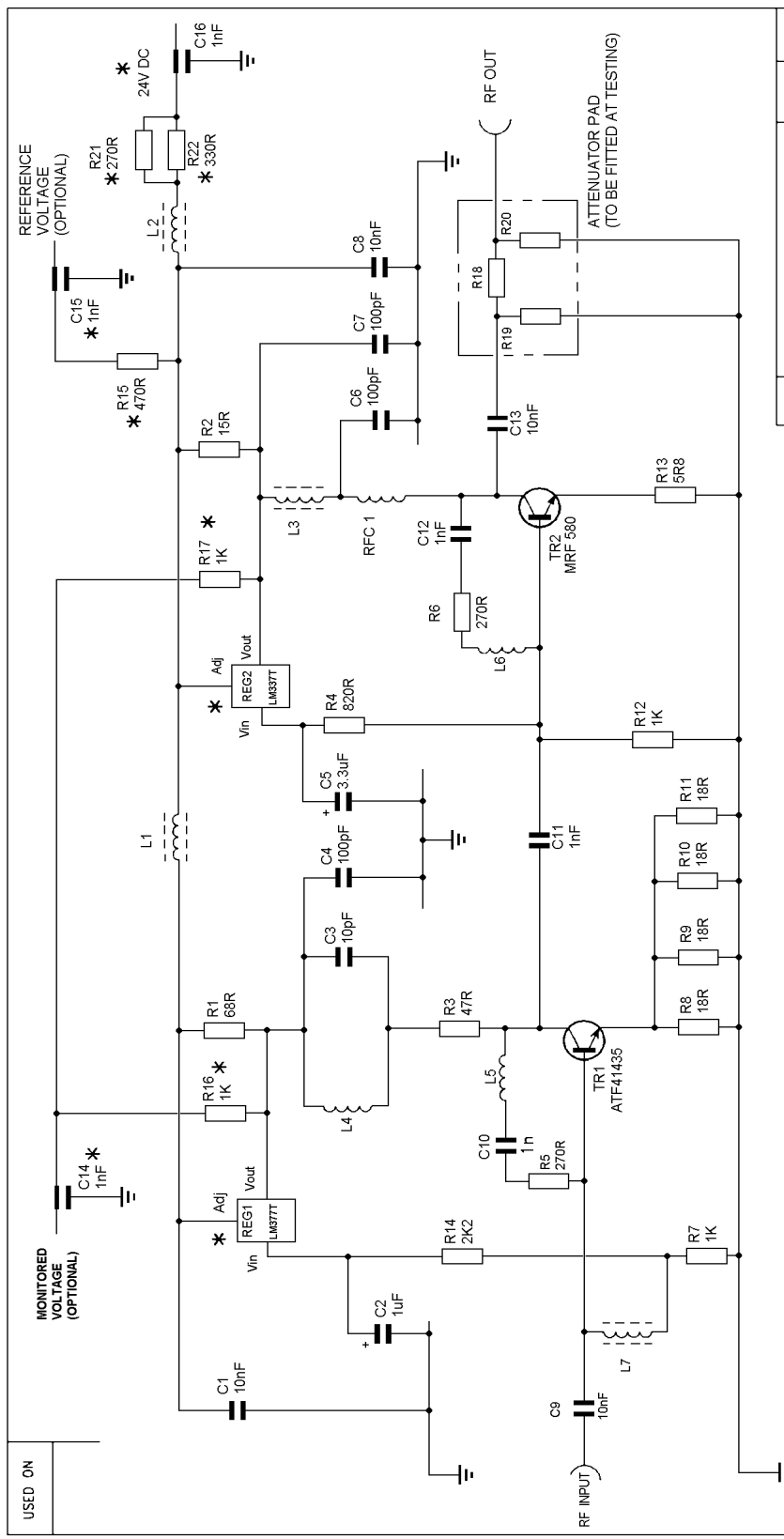
No	DESCRIPTION	DATE	BY
2A	CR1767	15/800	MNR
1A	CR1679	18/400	DBS

DATE	18/4/00	TITLE	LOW NOISE AMPLIFIER (24V/SMA/ALARMS)	
DBS		CUSTOMER	GENERAL ASSEMBLY	
CHKD		DRG:No	11-001202	
JD	BB		ISS	
TOLERANCES		SCALE		
NO DECIMAL PLACE ± 1mm		1:1		
ONE DECIMAL PLACE ± 0.3mm				
TWO DECIMAL PLACES ± 0.1mm				
ALL DIMENSIONS ARE IN mm UNLESS OTHERWISE STATED				

Aerial Facilities Ltd
England

Tel: (01494)77000
Fax: (01494)77002

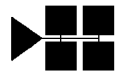




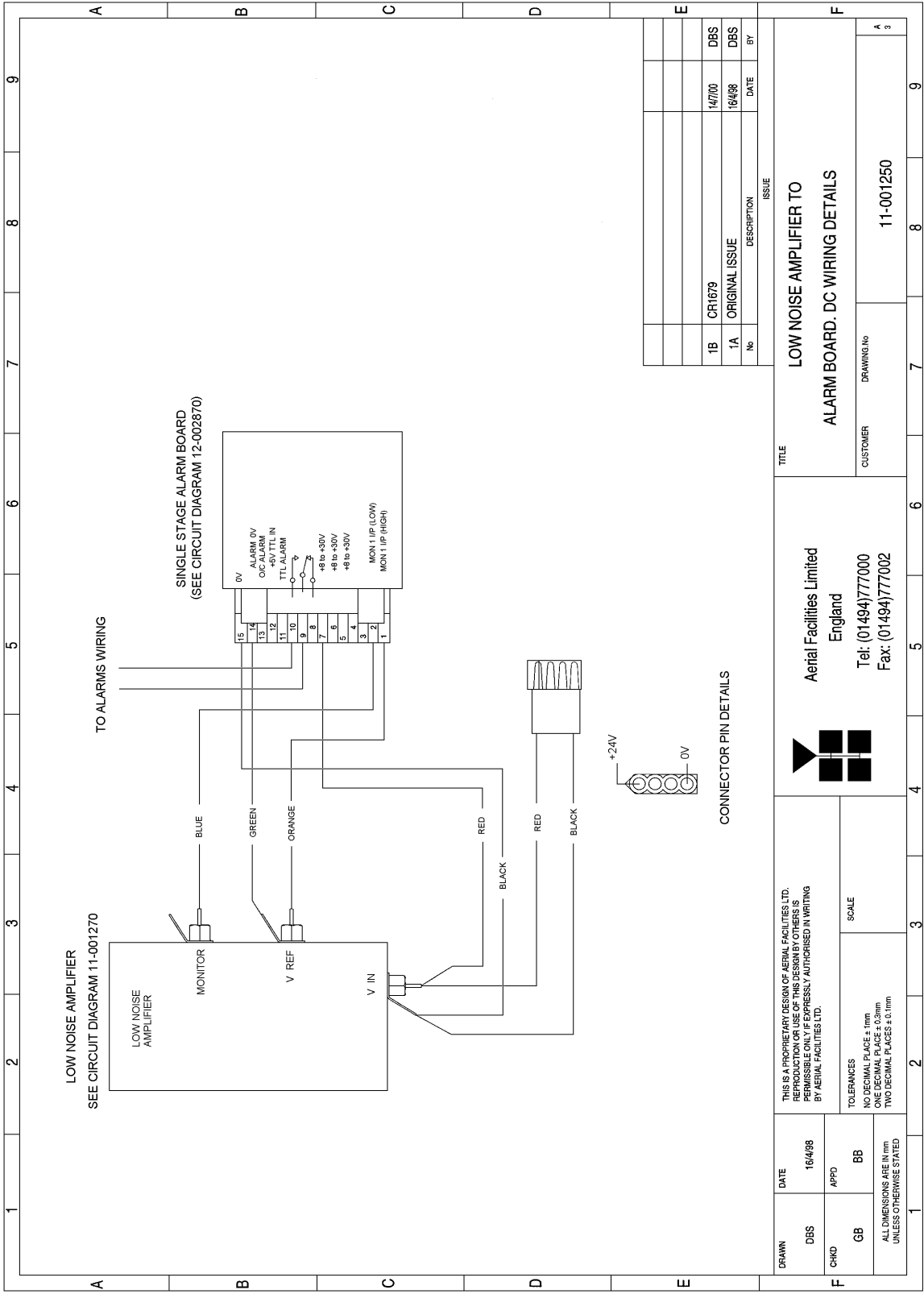
NO	DESCRIPTION	DATE	BY
5B	CR1767	28/7/00	MNR
5A	CR1679	18/4/00	DBS
4A	PRODUCTION ISSUE (CR0962)	20/1/99	SEW
2	CR0450	10/6/93	DJL

REFER TO THE COMPONENT LIST 11-001270C1 & C2 FOR FURTHER INFORMATION.
 POSITIONS OF COMPONENTS ARE SHOWN ON PCB ASSEMBLY 11-001211
 EXCEPT FOR THOSE MARKED * WHICH ARE SHOWN ON G.A.

DRAWN	DATE	THIS IS A PROPRIETARY DESIGN OF AERIAL FACILITIES LTD. REPRODUCTION OR USE OF THIS DESIGN BY OTHERS IS PERMISSIBLE ONLY IF EXPRESSLY AUTHORISED IN WRITING BY AERIAL FACILITIES LTD.	
DBS	28/9/90	NO. DECIMAL PLACES ± 1mm	SCALE
CHKD	APPD	ONE DECIMAL PLACE ± 0.3mm	
JD	BB	TWO DECIMAL PLACES ± 0.1mm	
ALL DIMENSIONS ARE IN mm UNLESS OTHERWISE STATED			
USED ON		TITLE VHF/UHF (24V) LOW NOISE AMPLIFIER	
		CIRCUIT DIAGRAM	
		CUSTOMER	ISS
		11-001270	5A
		ORC.No	
		777000	
		777002	
		Tel: (01494) 777000	
		Fax: (01494) 777002	



Aerial Facilities Ltd
 England
 Tel: (01494) 777000
 Fax: (01494) 777002

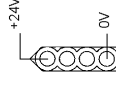


LOW NOISE AMPLIFIER
SEE CIRCUIT DIAGRAM 11-001270

SINGLE STAGE ALARM BOARD
(SEE CIRCUIT DIAGRAM 12-002870)

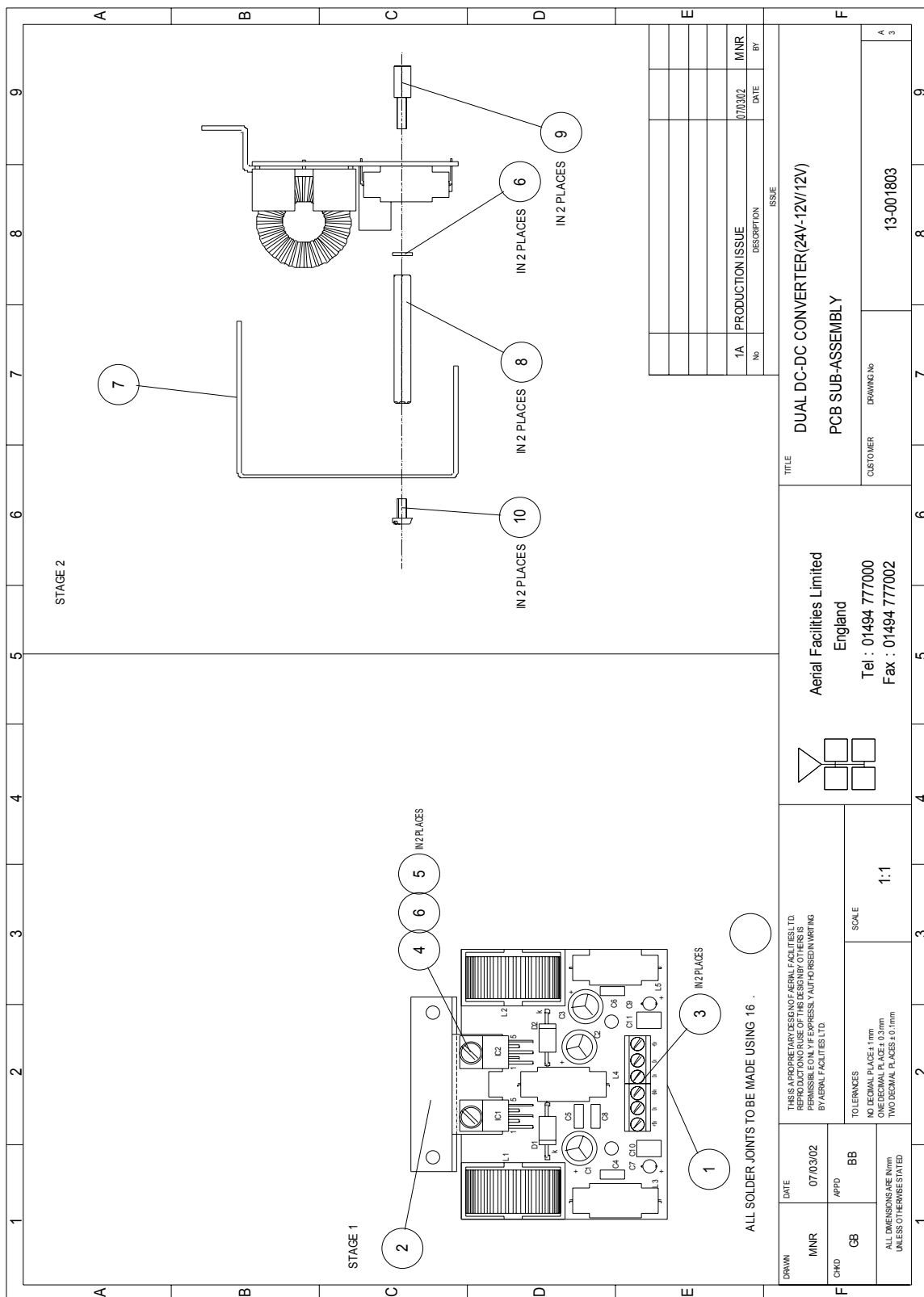
TO ALARMS WIRING

CONNECTOR PIN DETAILS



No	DESCRIPTION	DATE	BY
1B	CR1679	14/700	DBS
1A	ORIGINAL ISSUE	16/498	DBS

DRAWN DBS	DATE 16/498	THIS IS A PROPRIETARY DESIGN OF AERIAL FACILITIES LTD. REPRODUCTION OR USE OF THIS DESIGN BY OTHERS IS PERMISSIBLE ONLY IF EXPRESSLY AUTHORISED IN WRITING BY AERIAL FACILITIES LTD.	TITLE LOW NOISE AMPLIFIER TO ALARM BOARD. DC WIRING DETAILS
	APPD BB		
CHKD GB	SCALE	Aerial Facilities Limited England Tel: (01494)777000 Fax: (01494)777002	CUSTOMER DRAWING NO 11-001250
ALL DIMENSIONS ARE IN mm UNLESS OTHERWISE STATED	NO DECIMAL PLACES ± 1mm UNLESS OTHERWISE STATED TWO DECIMAL PLACES ± 0.1mm		

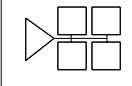


ALL SOLDER JOINTS TO BE MADE USING 16 .

DATE	07/03/02
DATE	07/03/02
DESCRIPTION	PRODUCTION ISSUE
ISSUE	1A
BY	MNR

TITLE
DUAL DC-DC CONVERTER(24V-12V/12V)
PCB SUB-ASSEMBLY

CUSTOMER
Aerial Facilities Limited
 England
 Tel : 01494 777000
 Fax : 01494 777002



THIS IS A PROPRIETARY DESIGN OF AERIAL FACILITIES LTD.
 REPRODUCTION OR USE OF THIS DESIGN BY OTHERS IS
 PERMISSIBLE ONLY BY EXPRESSLY AUTHORIZED WRITING
 BY AERIAL FACILITIES LTD.

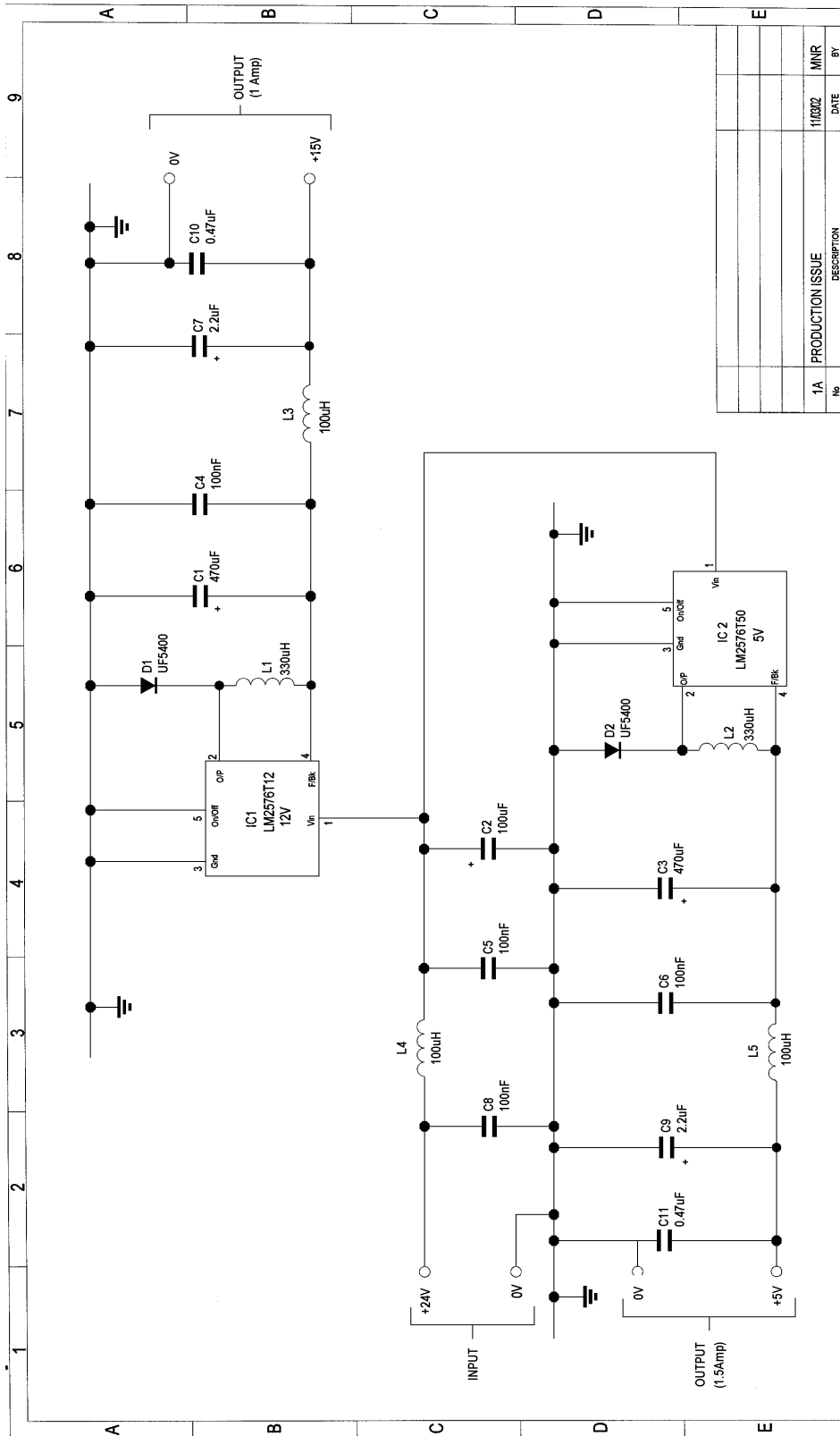
SCALE
1:1

TOLERANCES
 NO DECIMAL PLACES 1.0mm
 ONE DECIMAL PLACE 0.3mm
 TWO DECIMAL PLACES 0.1mm
 UNLESS OTHERWISE STATED

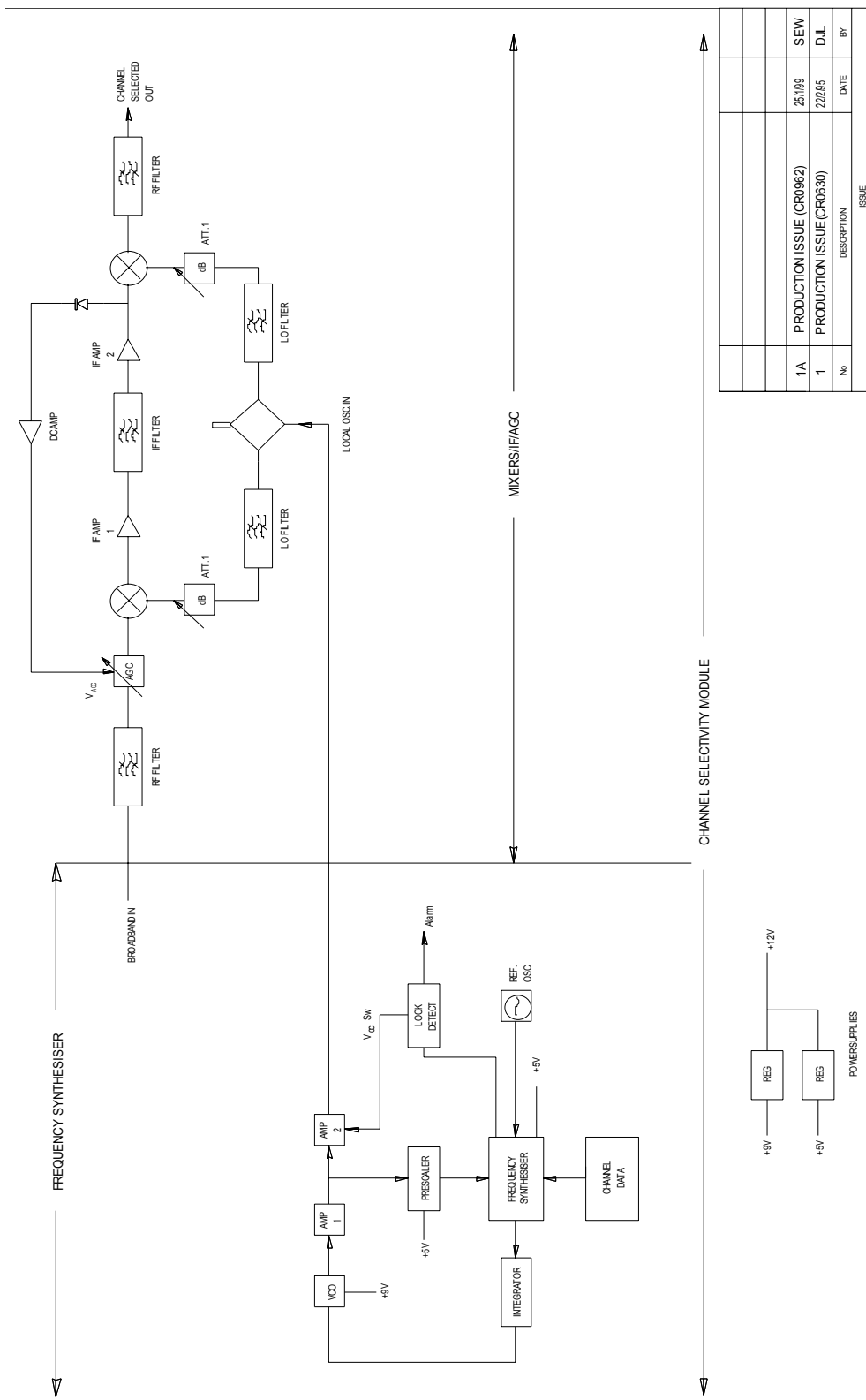
DRAWN	MNR
CHKD	GB
DATE	07/03/02
APPD	BB

NO	1A	PRODUCTION ISSUE	DATE	07/03/02	MNR	BY
----	----	------------------	------	----------	-----	----

CUSTOMER	DRAWING NO	13-001803
----------	------------	-----------



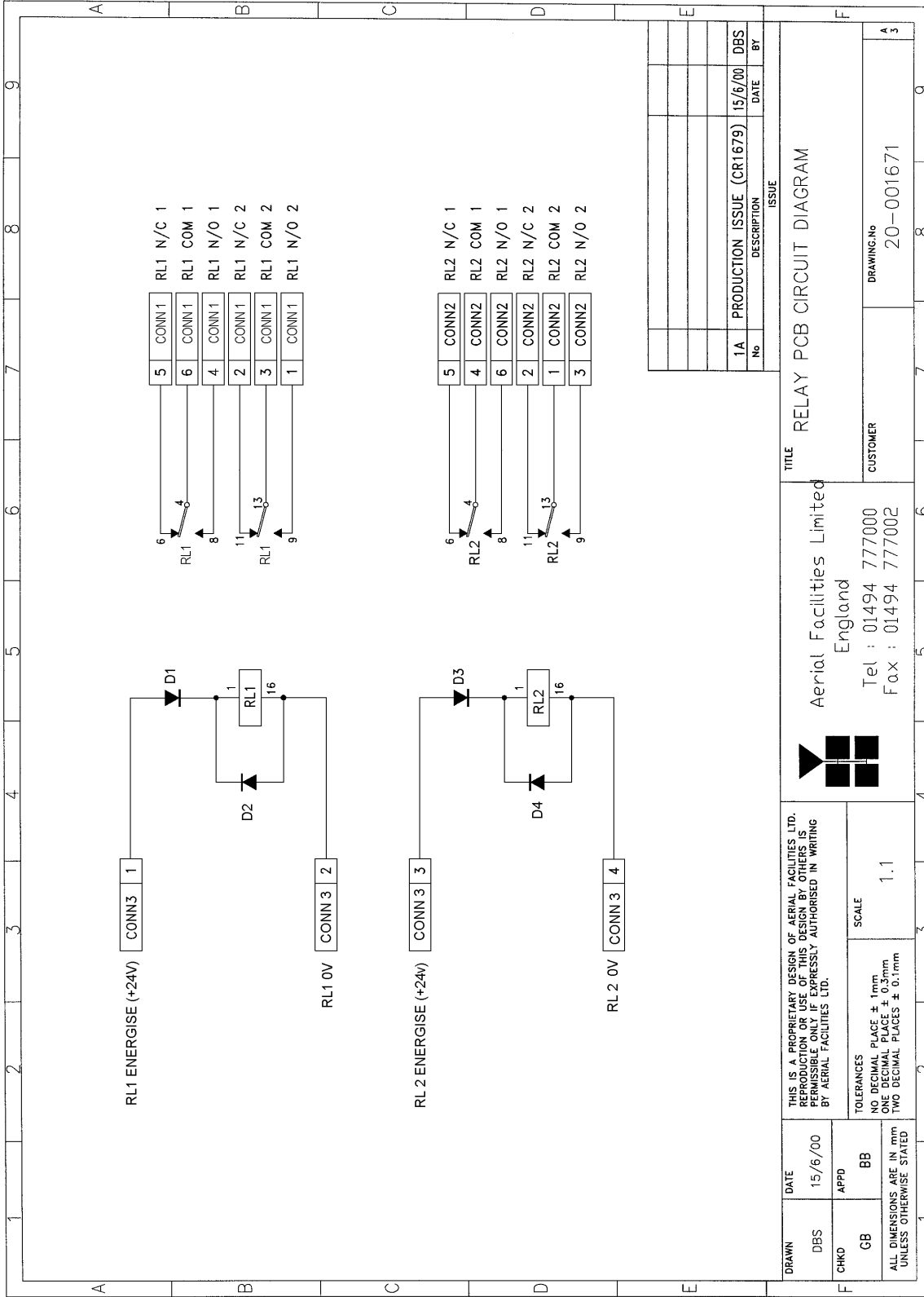
DRAWN		DATE	TITLE	
MNR	11/03/02	11/03/02	DUAL DC-DC CONVERTOR (24V-12V/5V)	
CHKD	APPD	BY	CIRCUIT DIAGRAM	
GB	BB	MNR	CUSTOMER	
ALL DIMENSIONS ARE IN mm UNLESS OTHERWISE STATED		DRAWING No		13-001871
TOLERANCES NO DECIMAL PLACE ± 1mm ONE DECIMAL PLACE ± 0.5mm TWO DECIMAL PLACES ± 0.1mm		SCALE		N.T.S
<p>USE IN CONJUNCTION WITH ASSEMBLY DRAWING 13-001802</p> <p>THIS IS A PROPRIETARY DESIGN OF AERIAL FACILITIES LTD. REPRODUCTION OR USE OF THIS DESIGN BY OTHERS IS PERMISSIBLE ONLY IF EXPRESSLY AUTHORISED IN WRITING BY AERIAL FACILITIES LTD.</p>				
Aerial Facilities Limited England Tel : 01494 777000 Fax : 01494 777002				



DATE	22/02/95	TITLE		CCE, CHANNEL SELECTIVITY MODULE, SYSTEM	
D.J.L.		CUSTOMER		Aerial Facilities Ltd	
APD		DRG No		17-003080	
ALL DIMENSIONS ARE IN mm UNLESS OTHERWISE STATED		ISSUE		ISS	A
TOLERANCES		SCALE		DATE	BY
NO DECIMAL PLACE ± 1mm				25/1/99	SEW
ONE DECIMAL PLACE ± 0.3mm				22/2/95	D.J.L.
TWO DECIMAL PLACES ± 0.1mm					



THIS IS A PROPOSED DESIGN BY AERIAL FACILITIES LTD. PERMISSION IS GRANTED TO PRODUCE THIS DRAWING FOR REFERENCE ONLY IF EXPRESSLY AUTHORISED IN WRITING BY AERIAL FACILITIES LTD.



No	DESCRIPTION	DATE	BY
1A	PRODUCTION ISSUE (CR1679)	15/6/00	DBS

ISSUE	
DESCRIPTION	DATE
1A	15/6/00

TITLE
RELAY PCB CIRCUIT DIAGRAM

Aerial Facilities Limited
England
Tel : 01494 777000
Fax : 01494 777002

THIS IS A PROPRIETARY DESIGN OF AERIAL FACILITIES LTD. REPRODUCTION OR USE OF THIS DESIGN BY OTHERS IS PERMISSIBLE ONLY IF EXPRESSLY AUTHORISED IN WRITING BY AERIAL FACILITIES LTD.

TOLERANCES
NO. DECIMAL PLACES ± 1mm
ONE DECIMAL PLACES ± 0.3mm
TWO DECIMAL PLACES ± 0.1mm

SCALE
1.1

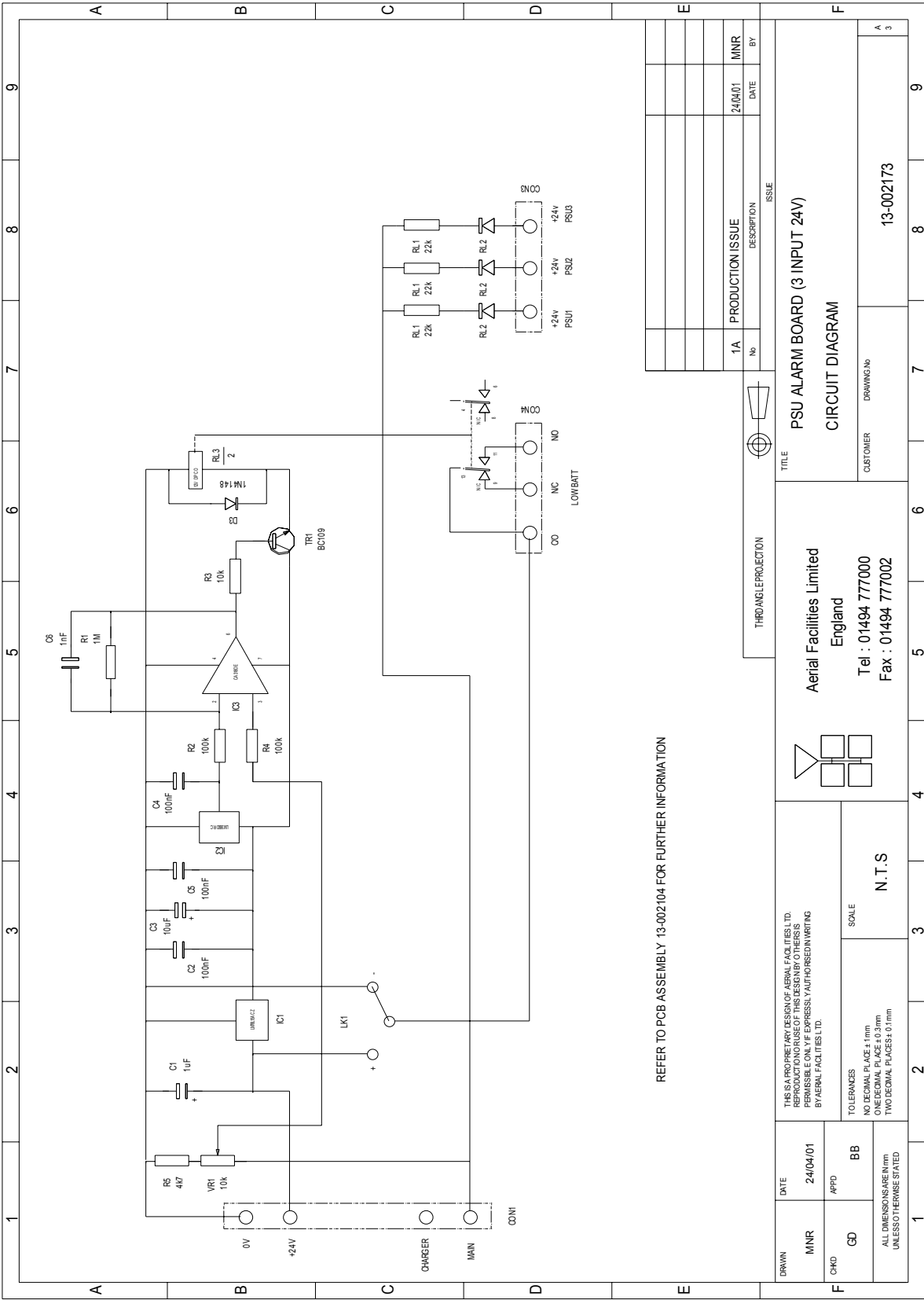
DATE
15/6/00

APPD
BB

ALL DIMENSIONS ARE IN mm UNLESS OTHERWISE STATED

DRAWN	DATE	TITLE
DBS	15/6/00	RELAY PCB CIRCUIT DIAGRAM

CHKD	APPD	CUSTOMER	DRAWING No
GB	BB		20-001671

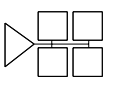


REFER TO PCB ASSEMBLY 13-002104 FOR FURTHER INFORMATION

No	1A	PRODUCTION ISSUE	DATE	BY
			24/04/01	MNR

TITLE		PSU ALARM BOARD (3 INPUT 24V)	
DRAWING No		13-002173	
CUSTOMER	Aerial Facilities Limited		
England	Tel : 01494 777000		
	Fax : 01494 777002		

THIS IS A PROPRIETARY DESIGN OF AERAL FACILITIES LTD. REPRODUCTION OR USE OF THIS DESIGN BY OTHERS IS PERMITTED ONLY IF EXPRESSLY AUTHORISED IN WRITING BY AERAL FACILITIES LTD.		SCALE	
TOLERANCES		N.T.S	
NO DECIMAL PLACES ± 1mm			
ONE DECIMAL PLACE ± 0.3mm			
TWO DECIMAL PLACES ± 0.1mm			
DATE	24/04/01	APPROVED	BB
DRW	MNR		



Aerial Facilities Limited
England
Tel : 01494 777000
Fax : 01494 777002

THROUGH PROJECTION



ISSUE

DESCRIPTION

DATE

BY

1A

PRODUCTION ISSUE

24/04/01

MNR