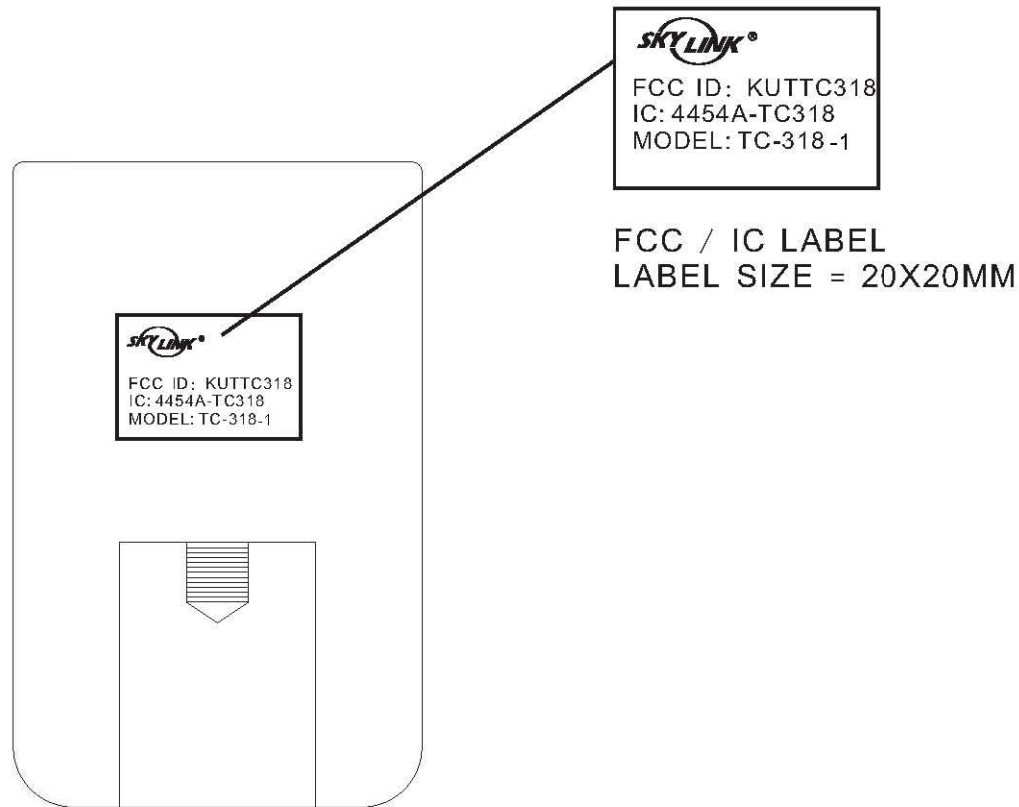


PROPRIETARY INFORMATION

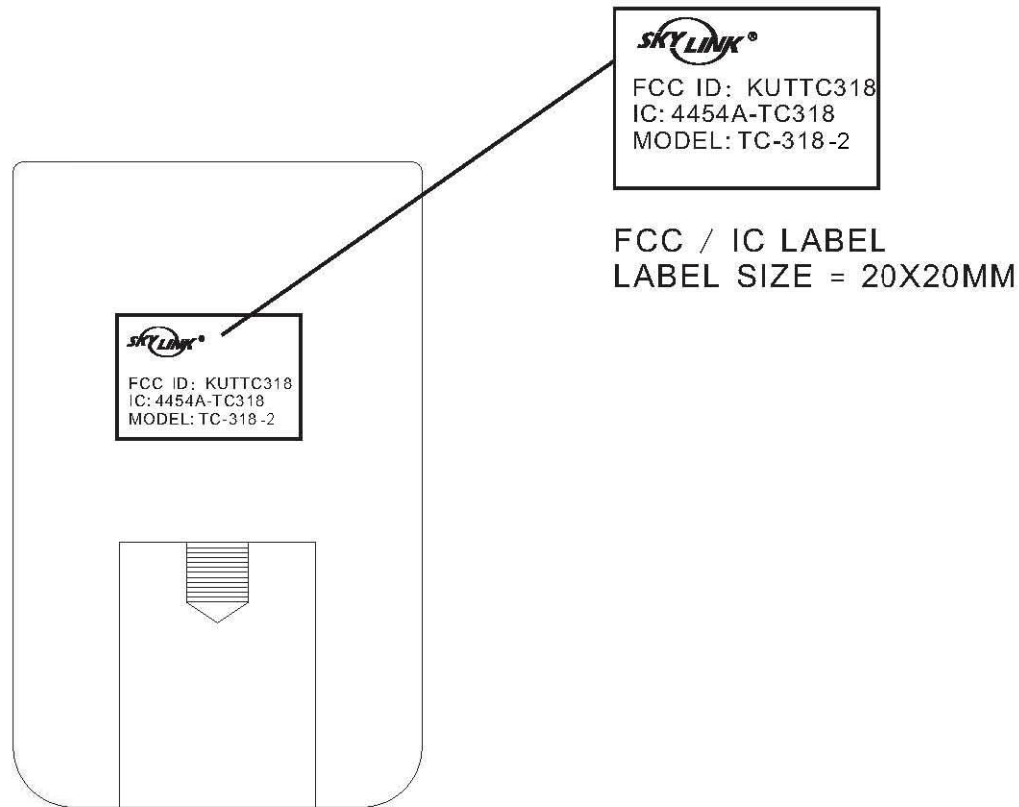


TC-318-XX

CPL CAPITAL PROSPECT LTD.

MODEL : TC-318
LABELING DIAGRAM
DATE : 29 Jan. 10
PAGE : 1 OF 1
REV: A

PROPRIETARY INFORMATION

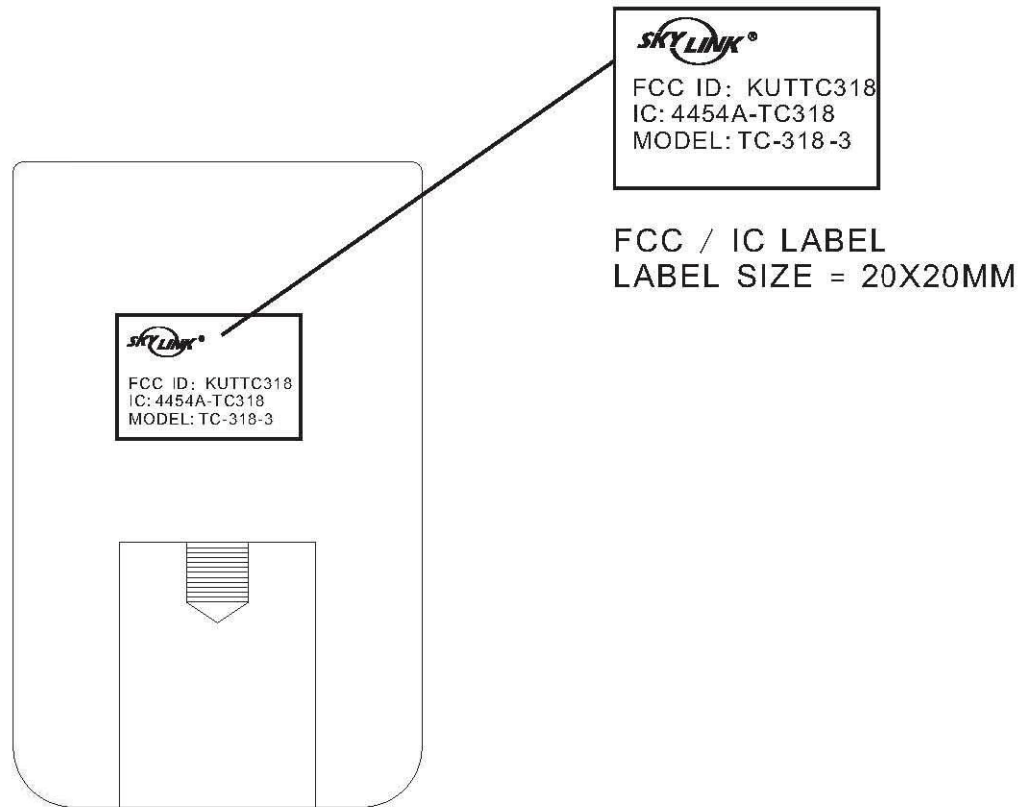


TC-318-XX

CPL CAPITAL PROSPECT LTD.

MODEL : TC-318
LABELING DIAGRAM
DATE : 29 Jan. 10
PAGE : 1 OF 1
REV: A

PROPRIETARY INFORMATION

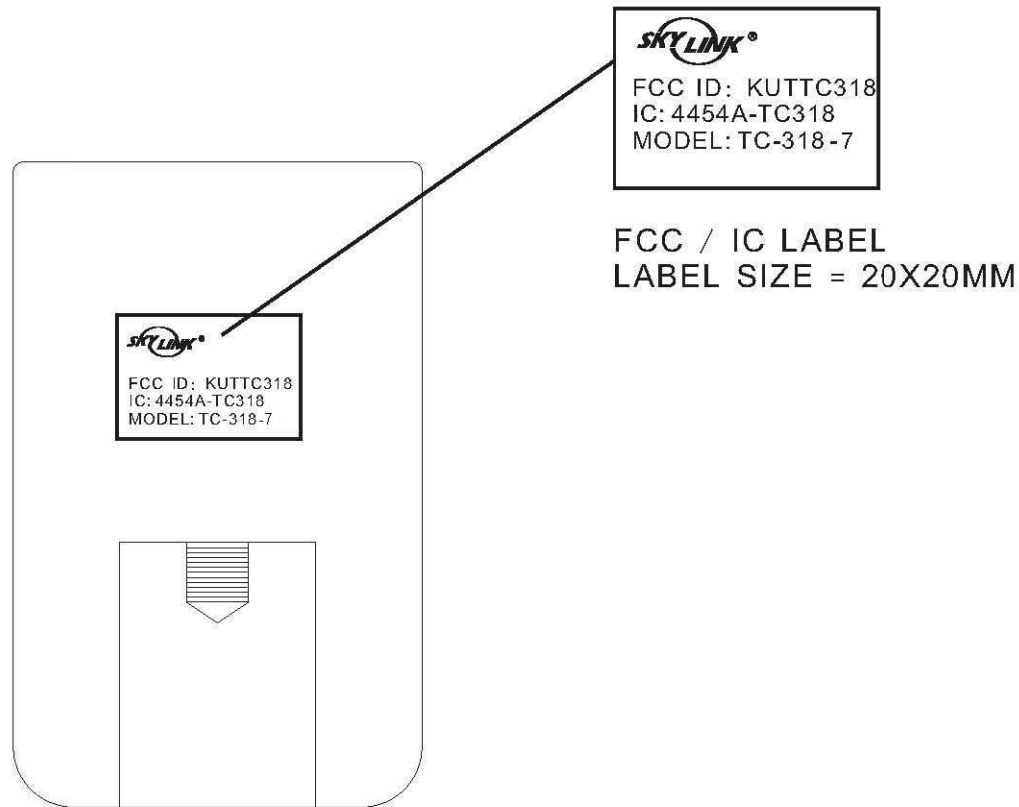


TC-318-XX

CPL CAPITAL PROSPECT LTD.

MODEL : TC-318
LABELING DIAGRAM
DATE : 29 Jan. 10
PAGE : 1 OF 1
REV: A

PROPRIETARY INFORMATION

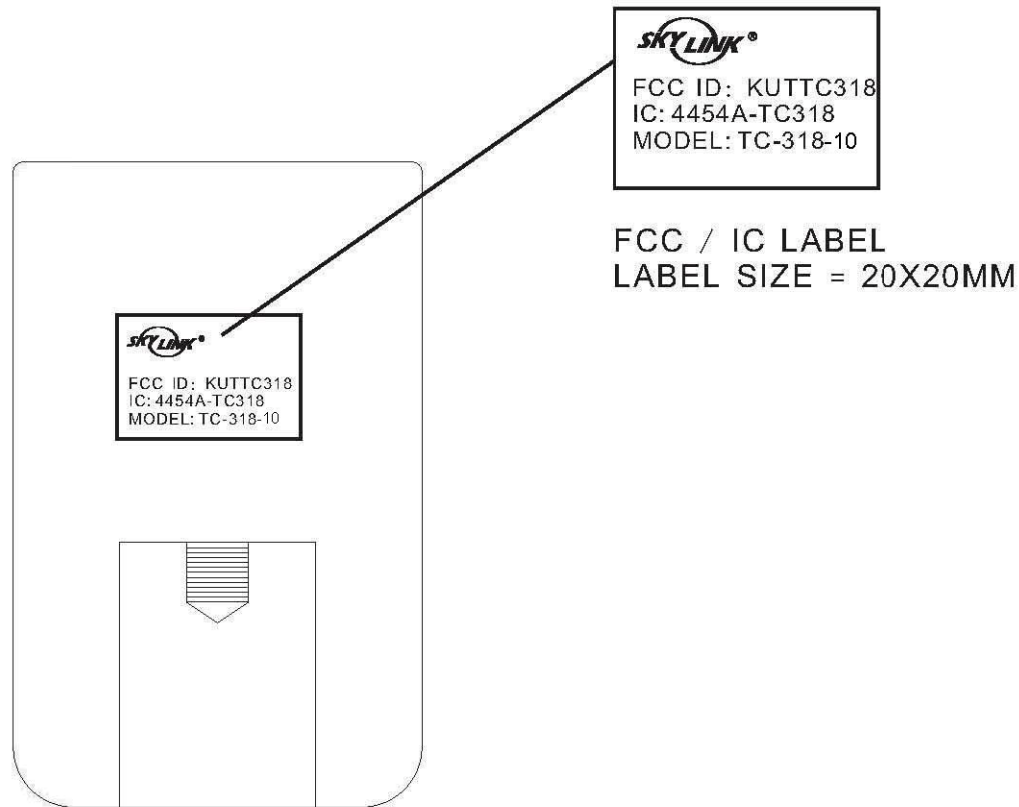


TC-318-XX

CPL CAPITAL PROSPECT LTD.

MODEL : TC-318
LABELING DIAGRAM
DATE : 29 Jan. 10
PAGE : 1 OF 1
REV: A

PROPRIETARY INFORMATION

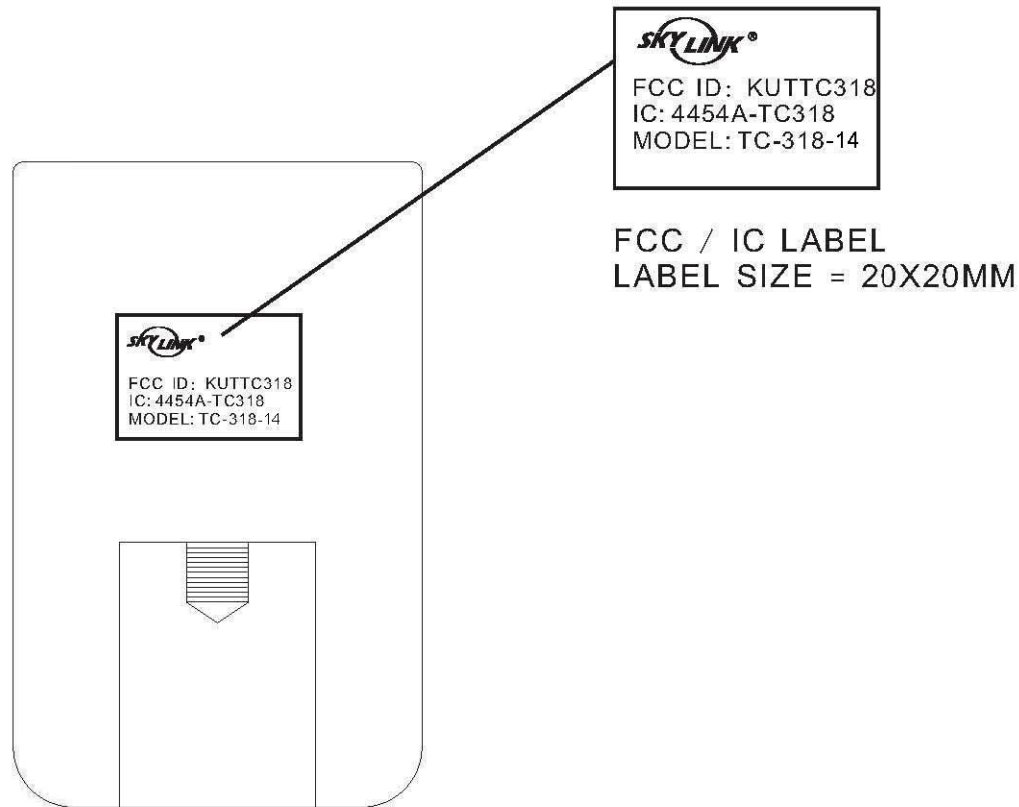


TC-318-XX

CPL CAPITAL PROSPECT LTD.

MODEL : TC-318
LABELING DIAGRAM
DATE : 29 Jan. 10
PAGE : 1 OF 1
REV: A

PROPRIETARY INFORMATION



TC-318-XX

CPL CAPITAL PROSPECT LTD.

MODEL : TC-318
LABELING DIAGRAM
DATE : 29 Jan. 10
PAGE : 1 OF 1
REV: A