



SMO™ Side Mount Garage Door Opener Owner's Manual

For residential use only



Watch Quick Setup Videos at

www.skylinkhome.com/videos

or scan



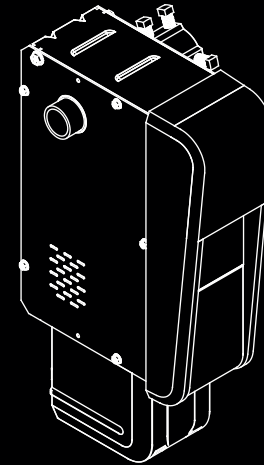
IMPORTANT:

- Please read this manual and the enclosed safety materials carefully!
- Safety Beam Sensor **MUST BE INSTALLED** and aligned properly.
- Periodic checks of the openers are required to ensure safe operation.
- Save this manual for future reference.
- This Equipment meets or exceeds all Federal, State and UL325 Safety requirements.
- For more information updates and useful links, please visit our website <https://www.skylinkhome.com>



DO NOT RETURN TO THE STORE, CONTACT OUR CUSTOMER SERVICE

1-800-304-1187 M-F 9am-5pm Online Chat: www.skylinkhome.com
support@skylinkhome.com



INTRODUCTION



Important Safety Information

Congratulations on your purchase of a Skylink Garage Door Opener. The documentation provided with your opener has been carefully designed and organized to make the assembly, operation, and continued maintenance of your product as easy and safe as possible. Make sure the garage door opener is installed, operated, maintained, and tested in strict accordance with the instructions and warnings contained in this manual. Read and follow all guidelines and operating instructions before the first use of this product. Store the manual in a safe, easily accessible location for future reference.



WARNING

To prevent possible SEVERE INJURY OR DEATH:

- DO NOT install opener on an unbalanced door. Call a trained garage door technician if garage door binds, sticks or is unbalanced.
 - Disable all locks and remove all ropes connected to the garage door before installing the garage door opener.
 - DO NOT connect the opener to any source of power until instructed to do so.
 - Door Control must be installed within sight of door, at a minimum height of 5ft and away from all moving parts of the door.
 - DO NOT try to remove, repair or adjust springs or anything to which door spring parts are fastened.
 - Repair and adjustments must be made by a trained garage door technician.
 - Turn off power before removing opener cover.
 - Opener must be properly grounded.
 - Auto-Close Timer and Orbit Home Smartphone app can only be used with sectional doors.
- * These features cannot be used with one-piece doors.

Safety Symbol Overview



WARNING

This warning symbol is used to indicate possible mechanical or electrical hazards that may cause serious injury or death.



CAUTION

This warning symbol is used to indicate the possibility of damage to the garage door or opener.

CONTENTS

Introduction	1
Pre-Installation Checklist	3
Parts And Accessories	4
Important Instructions	6
Assemble the SMO	8
Attach the Coupler to the Garage Door Opener.....	8
Attach Mounting Bracket to Garage Door Opener..	9
Installation	10
Position and Mount the Garage Door Opener.....	10
Attach the Emergency Release Rope and Handle..	12
Install Door Lock.....	13
Attach the Cable Tensioner.....	14
Install the Battery Backup (Optional).....	15
Install the door control.....	16
Wire the door control to the garage door opener..	17
Install the Safety Beam Sensors.....	18
Wire the Safety Beam Sensors.....	19
Connect Power.....	20
Aligning the safety beam sensors.....	21
Programming	22
Programming remote / keypad.....	22
Programming the travel limits.....	22
Vehicle Programming (In-Car Remote).....	23
Test safety reversal system.....	24
Test safety beam sensors.....	24
Operation	25
Manually Open / Close Garage Door.....	25
Remote Control.....	26
Keypad.....	27
Deluxe Wall Console offers 4 functions.....	29
Erase Remote Control / Keypad from Memory.....	30
Maintenance	31
Wi-Fi Connectivity	32
Troubleshooting - Error Code	33
Troubleshooting	34
Important Safety Instructions	35
FCC	36
ISED	37
Warranty	38

IMPORTANT INSTALLATION INSTRUCTIONS

WARNING - To reduce the risk of severe injury or death:

1. READ AND FOLLOW ALL INSTALLATION INSTRUCTIONS.
2. Install only on a properly operating and balanced garage door. An improperly balanced door has the potential to inflict severe injury. Have a qualified service person make repairs or adjustments to cables, spring assemblies, and other hardware before installing the opener.
3. Remove or disable all pull ropes, and all locks connected to the garage door before installing the opener.
4. Where possible, install the door operator 2.14 m (7 ft) or more above the floor. For products with an emergency release, mount the emergency release at least 1.83 m (6 ft) above the floor, and avoid contact with vehicles to prevent accidental release.
5. Do not connect the door opener to the source of power until instructed to do so.
6. Locate the control button: (a) within sight of the door, (b) at a minimum height of 1.53 m (5 ft) from the ground, landings, steps, or any other adjacent walking surface so small children are not able to reach it, and (c) away from all moving parts of the door.
7. Install the Entrapment Warning Label next to the control button in a visible location. Install the Emergency Release Marking. Attach the marking on or next to the emergency release.
8. After installing the opener, the door must reverse when it contacts a 38-mm (1-1/2-inch) high object (or a 2x4 board laid flat) on the floor.
9. To reduce the risk of electric shock, this equipment has a grounding type plug, that has a third (grounding) pin. This plug will only fit into a grounding-type outlet. If the plug does not fit into the outlet, contact a qualified electrician to install the proper outlet, do not attempt to change the plug yourself.
10. The operator is not equipped for permanent wiring. To install a proper receptacle if one is not available, contact a licensed electrician.
DISCONNECT POWER BEFORE SERVICING.
11. For Indoor Use Only.
12. Only use this opener with a sectional door.
13. WARNING: To reduce the risk of injury to persons – Only enable timer feature when installed with sectional door.
14. Do not remove or visually obstruct the Entrapment Warning Label. Mount the label adjacent to the wall control. Mount the wall control out of children's reach.

PRE-INSTALLATION CHECKLIST



Sectional Door

Check the following items before assembling the opener:

- Identify the door type: sectional door.
- Ensure your garage door is balanced and is not sticking or binding.
- Here is how to check the door balance:
 - From outside the garage, slowly open the door all the way and close it all the way- DOOR SHOULD NOT BIND OR RUB.
 - Raise the door halfway up – DOOR SHOULD STAY IN PLACE, SUPPORTED ENTIRELY BY ITS SPRING.

IMPORTANT

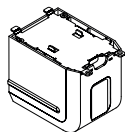
- **If the garage door fails either of these tests, have a qualified garage door professional adjust or repair the door.**
- If the garage door is lightweight (made with frame and skin, not solid), it must be braced or reinforced before installing the opener (including the door frame). Check with a qualified service professional for a door reinforcement kit.
- If you do not have an access door in addition to the garage door, you should install an emergency key release kit.
- With the garage door closed, check the alignment of the garage floor. The gap, if any, should be no more than 1/4" (6 mm). If the gap is larger than this, repair the floor or door before installing the opener.

PARTS AND ACCESSORIES

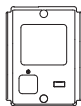
Save the carton and packing material until the installation and adjustment is complete. Instructions for the accessories will be attached to the accessory and are not included in this manual. The images throughout this manual are for reference only, your product may look different.

Accessories

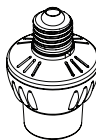
- J1.** Battery Backup (BA-200)*
- J2.** Deluxe Wall Console
- J3.** Screw-In Lamp Socket*
- J4.** Safety Beam Sensors Kit*
- J5.** Wireless Safety Beam Sensors Kit*
- J6.** Keyless Entry Keypad*
- J7.** Door Lock
- J8.** Remote Control - MM-318*
- J9.** Remote Control - MK-318*



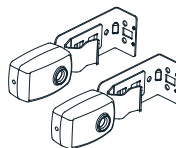
J1*



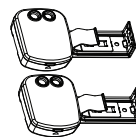
J2



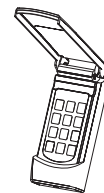
J3*



J4*



J5*



J6*



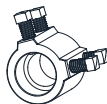
J7



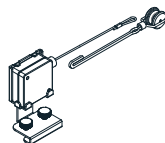
J8*



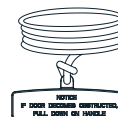
J9*



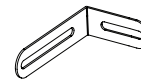
J10



J11 x 2



J12



J13



J14

Parts

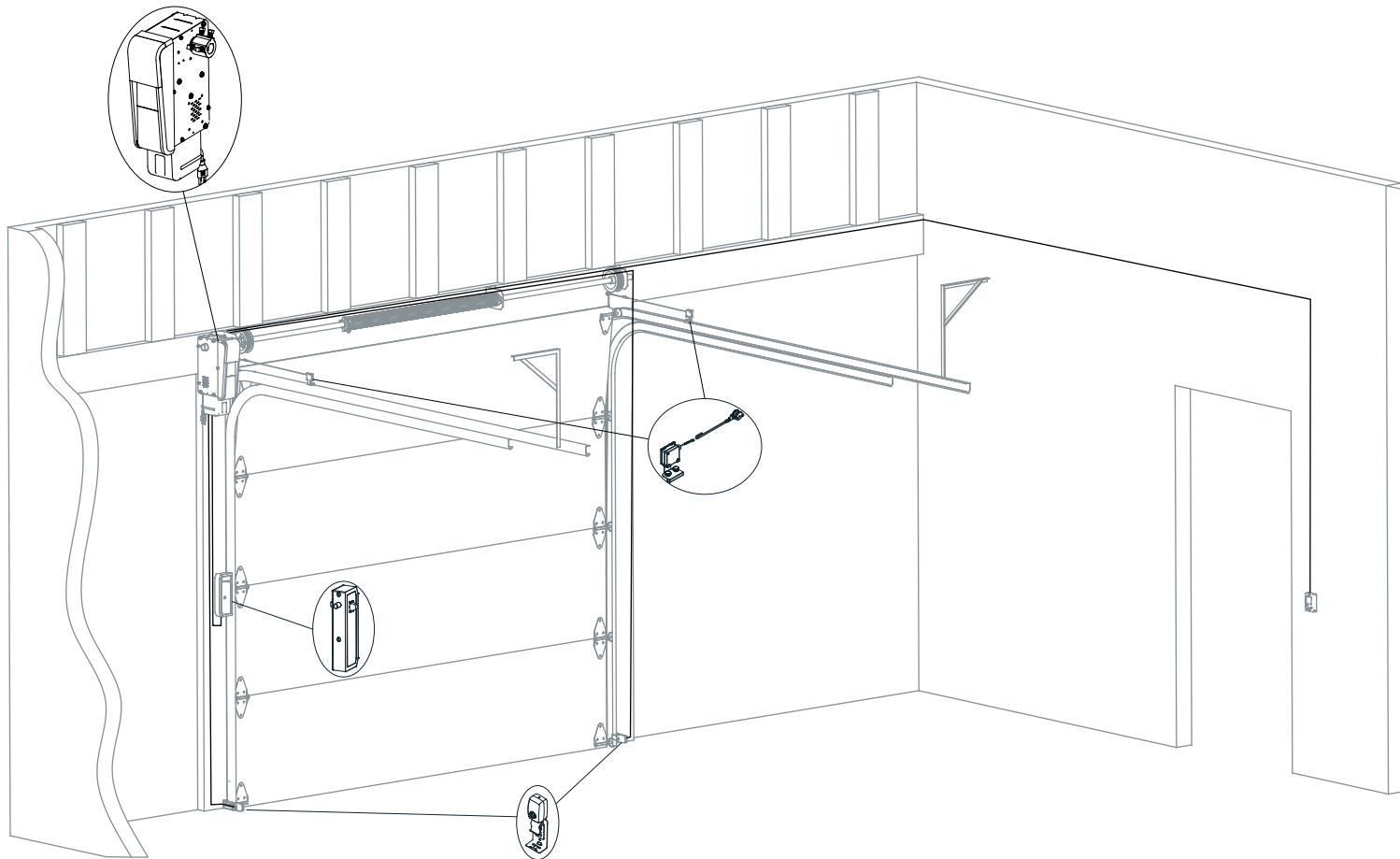
- J10.** Coupler
- J11.** Cable Tensioner & Slide Set
- J12.** Handle & Rope
- J13.** Mounting Bracket
- J14.** Screws 14-10x2"



NOTE

* Note that accessories will depend on the model you purchased. If anything is missing, carefully check the packing material.

PARTS AND ACCESSORIES (continued)

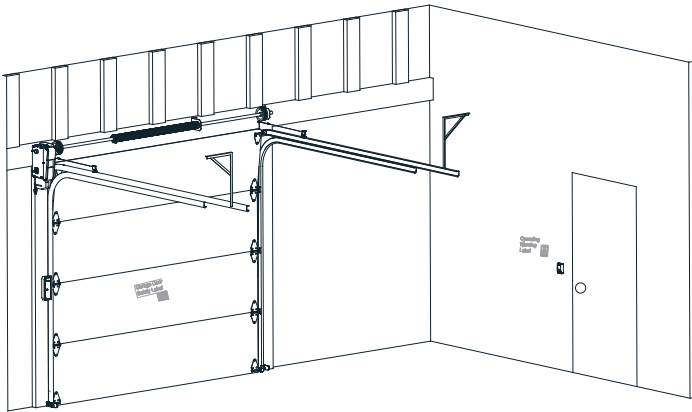


IMPORTANT INSTRUCTIONS



To reduce the risk of severe injury or death:

1. Read and follow all installation instructions.
2. Check with the door manufacturer to determine if additional reinforcement is required to support the door prior to the installation of the garage door opener.
3. Install garage door opener only on a properly balanced garage door. An improperly balanced door could cause serious injury. Have a qualified service professional make repairs/adjustments to garage door cables, spring assemblies, and other hardware before installing the opener.
4. Remove all ropes and disable all locks connected to the garage door before installing the opener.
5. Mount the emergency release handle 6' (1.8 m) above the floor.
6. Do not connect the opener to a power source until instructed to do so.
7. Locate the door control:
 - a. Within sight of the garage door.
 - b. Out of reach of children at a minimum height of 5' (1.5 m).
 - c. Away from all moving parts of the door.
8. Place entrapment warning label on wall next to garage door wall control. Mechanical means shall be used to secure the label to a surface which the adhesive will not adhere.
9. Install the Emergency Release Handle on the emergency release rope.
10. Place the manual release and safety reverse test labels in plain view on the inside of the garage door.
11. Upon completion of the installation, the door must reverse when it comes in contact with a 1 1/2" (3.8 cm) high object on the floor (or a 2x4 laid flat at the center of the door) and when the infrared safety beam is blocked.



An overall view of a completed garage door opener system installed on a sectional door.

IMPORTANT INSTRUCTIONS (continued)



Planning:

Survey your garage area to see if any of the conditions below apply to your installation. Depending on your requirements, additional materials may be required.

This garage door opener is compatible with:

Doors that use a torsion bar and springs. The torsion bar must be 1 inch (2.5 cm) in diameter.

4-6 inches (10-15 cm) drums, not to be used on tapered drums over 6 inches (15 cm). 3 to 3.9 inch (7.6cm ~ 9.9cm) drums may be used on doors up to 430lbs. (195Kgs)

High lift (up to 54 inches (137.2 cm) high) and standard lift sectional doors up to 14 feet (4.3 m) high.

Doors up to 18 feet. (5.5 m) wide.

Doors up to 180 sq. ft. (16.7 sq.m).

Review or inspect the proposed installation area. The garage door opener can be installed on the left or right side of the door.

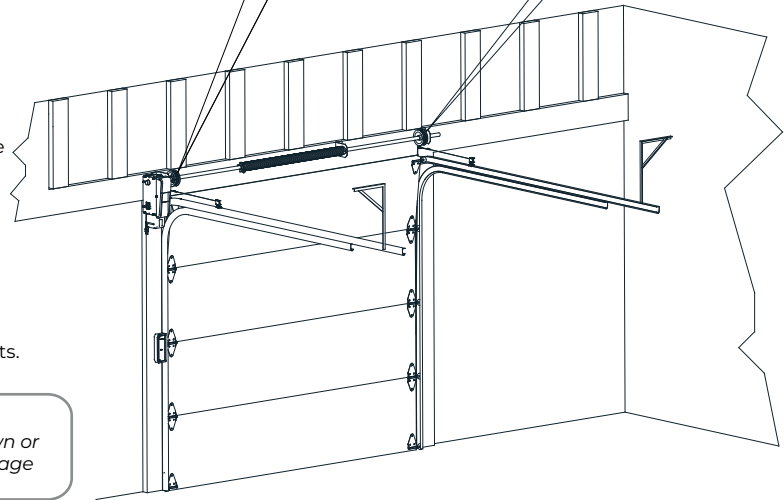
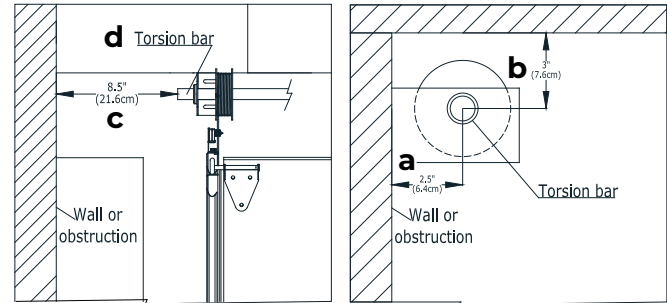
Select the side that meets the requirements listed below.

- Must have a minimum of 2-1/2 inches (6.4 cm) between the garage wall and the center of the torsion bar.
- Must have a minimum of 3 inches (7.6 cm) between the ceiling and the center of the torsion bar.
- Must have a minimum of 8.5 inches (21.6 cm) between the side garage wall (or obstruction) and the end of the torsion bar.
- The torsion bar must extend at least 1-1/2 inches (3.8 cm) past the bearing. This may vary depending on your installation requirements.



NOTE

Inspect the torsion bar while the door is raised and lowered. It is important that there is no noticeable movement up and down or left and right. If the movement is not corrected, the life of the garage door opener will be greatly reduced.



ASSEMBLE THE SMO

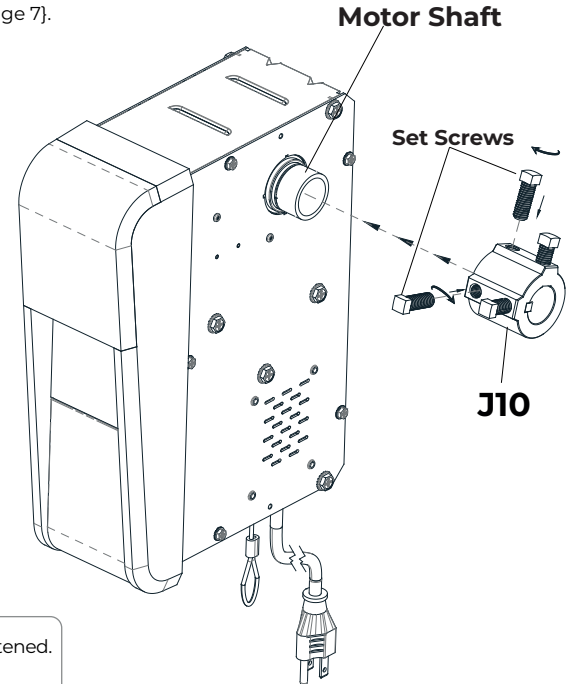


1. Attach the Coupler to the Garage Door Opener

To avoid installation difficulties, do not run the garage door opener until instructed to do so.

The garage door opener can be installed on either side of the door (see Planning section page 7). The illustrations shown are for installation on the left side.

1. Loosen the set screws.
2. Attach coupler to the garage door opener motor shaft. The side of the coupler with the larger hole should be placed on the motor shaft. Ensure that the coupler is seated all the way on motor shaft until a full stop is reached.
3. Position the coupler so the screws are facing out and are accessible when attached to the torsion bar.
4. Securely tighten the 2 square head set screws closest to the motor shaft by turning the screws $1/4 - 1/2$ turn after making contact with the motor shaft.

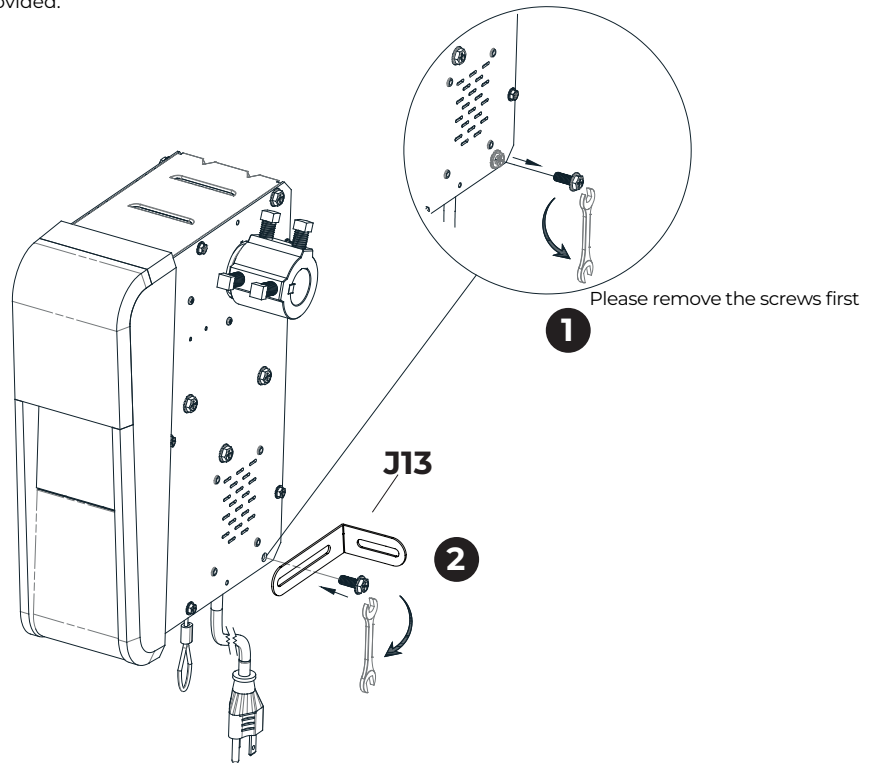


WARNING

- To prevent possible SERIOUS INJURY or DEATH, the coupler MUST be properly tightened.
- The door may not reverse correctly or limits may be lost due to coupler slip.

2. Attach Mounting Bracket to Garage Door Opener


Loosely attach slotted side of mounting bracket to the same side of the garage door opener as the coupler, using screws provided.



NOTE

Do not tighten screws until instructed.


Step 1. Position and Mount the Garage Door Opener

 **NOTE.** For additional mounting options refer to the accessories page.

1. Close the garage door completely.
2. Slide the garage door opener onto the end of the torsion bar. If the torsion bar is too long or damaged, you may need to cut the torsion bar.

Ensure the coupler does NOT touch the bearing.

3. Use a level to position and vertically align the garage door opener. Verify that the mounting bracket is located on a solid surface such as wood, concrete, or door/flag bracket. If installing on drywall, the mounting bracket **MUST** be attached to a stud.
4. When the garage door opener is properly aligned, mark the mounting bracket holes. If necessary, tighten coupler screws on the torsion bar to hold garage door opener in place while marking holes.

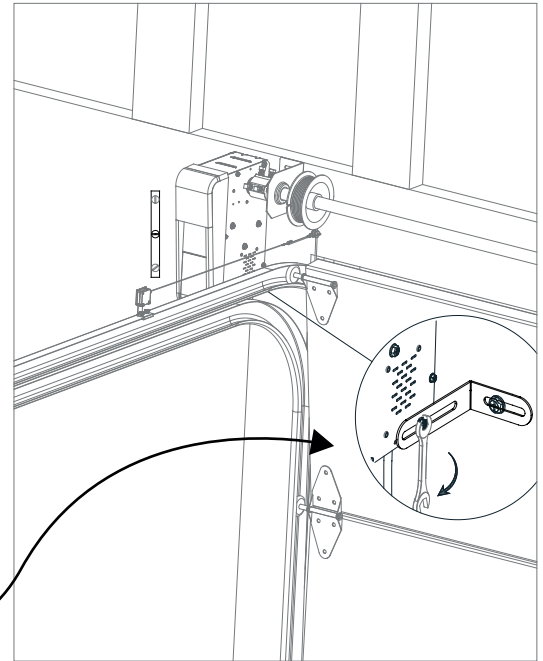
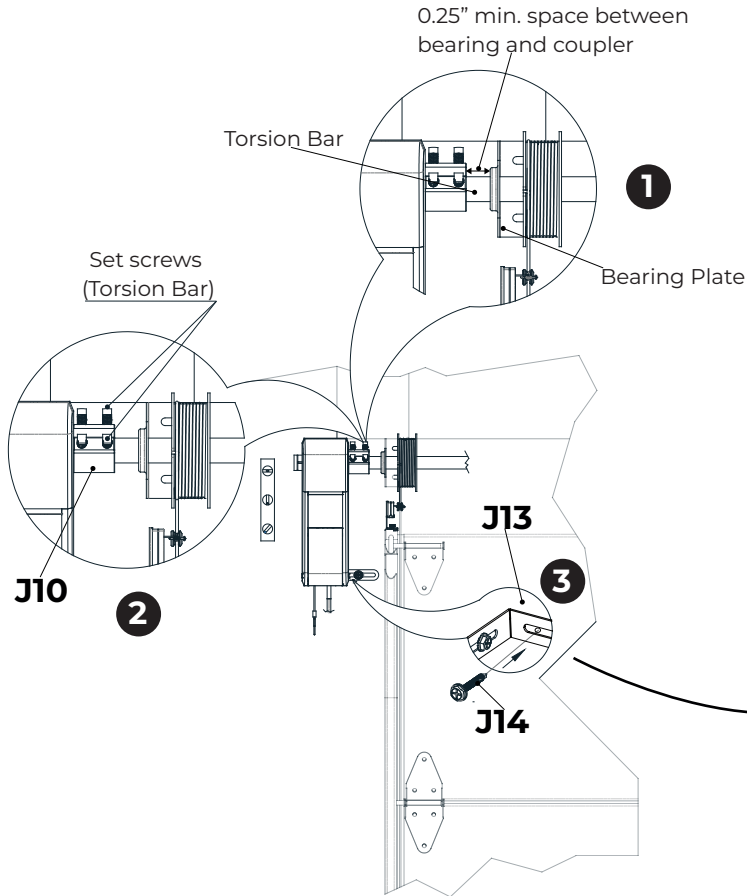
 **NOTE.** The garage door opener does not have to be flush to wall.

5. Remove the garage door opener from torsion bar. Drill $\frac{3}{16}$ inch pilot holes at the marked locations. Drill through metal door rail plates if necessary.
6. Slide the garage door opener back onto the torsion bar until pilot holes align with bracket.
7. Tighten the 2 square head set screws on the torsion bar. For a hollow torsion bar, tighten screws $\frac{3}{4}$ - 1 full turn after making contact with the bar. For a solid shaft torsion bar, tighten screws $\frac{1}{4}$ - no more than $\frac{1}{2}$ turn after making contact with the shaft. If installing on a keyed torsion bar, **DO NOT** tighten the screws into the keyway.
8. Secure the mounting bracket to the wall and to the garage door opener. Use the 14-10 x 2" screws to secure the mounting bracket to the wall.

WARNING

- Concrete anchors **MUST** be used if mounting bracket into masonry.
- **NEVER** try to loosen, move or adjust garage door, springs, cables, pulleys, brackets or their hardware, **ALL** of which are under **EXTREME** tension.
- **ALWAYS** call a trained garage door technician if garage door binds, sticks, or is out of balance. An unbalanced garage door might **NOT** reverse when required.
- The garage door opener **MUST** be mounted at a right angle to the torsion bar to avoid permanent wear on the **coupler**.

INSTALLATION (continued)




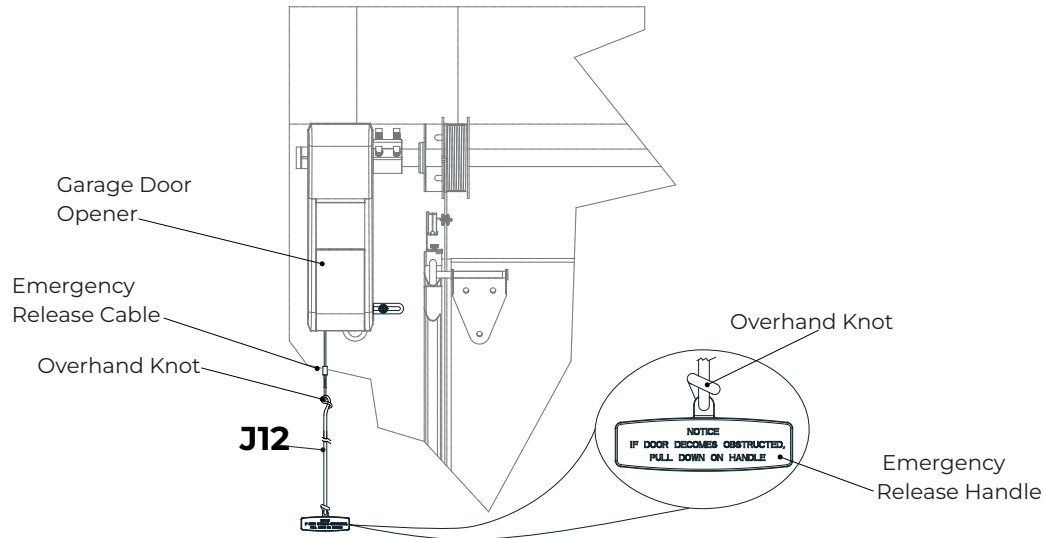
NOTE.

After fastening the screws to the wood or wall, align the leveler and tighten the nut on the side of the bracket.

Step 2. Attach the Emergency Release Rope and Handle

1. Thread one end of the rope through the hole in the top of the red handle so "NOTICE" reads right side up. Secure with an overhand knot at least 1 inch (2.5 cm) from the end of the rope to prevent slipping.
2. Thread the other end of the rope through the loop in the emergency release cable. Adjust rope length so the handle is no higher than 6 feet (1.83 m) above the floor. Secure with an overhand knot

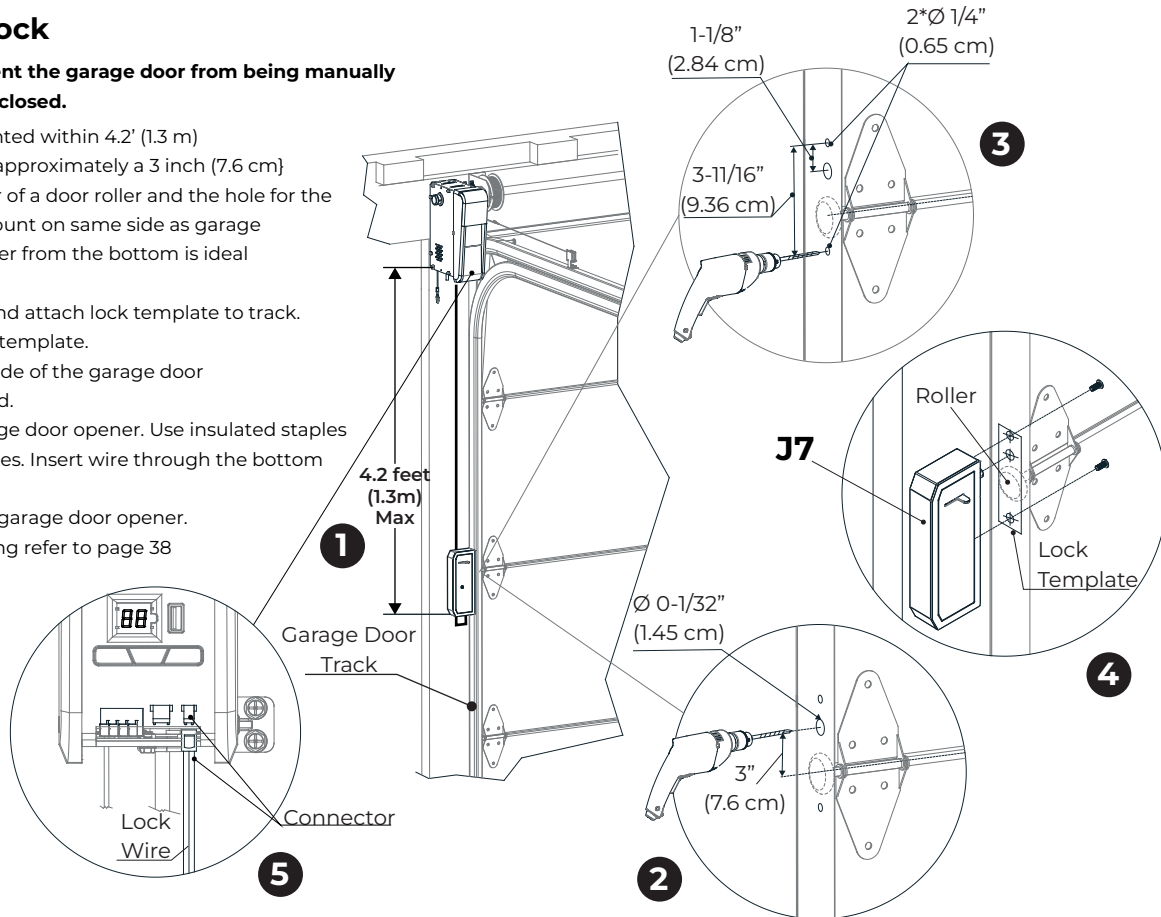
 **NOTE.** If it is necessary to cut the rope, heat seal the cut end with a match or lighter to prevent unraveling.



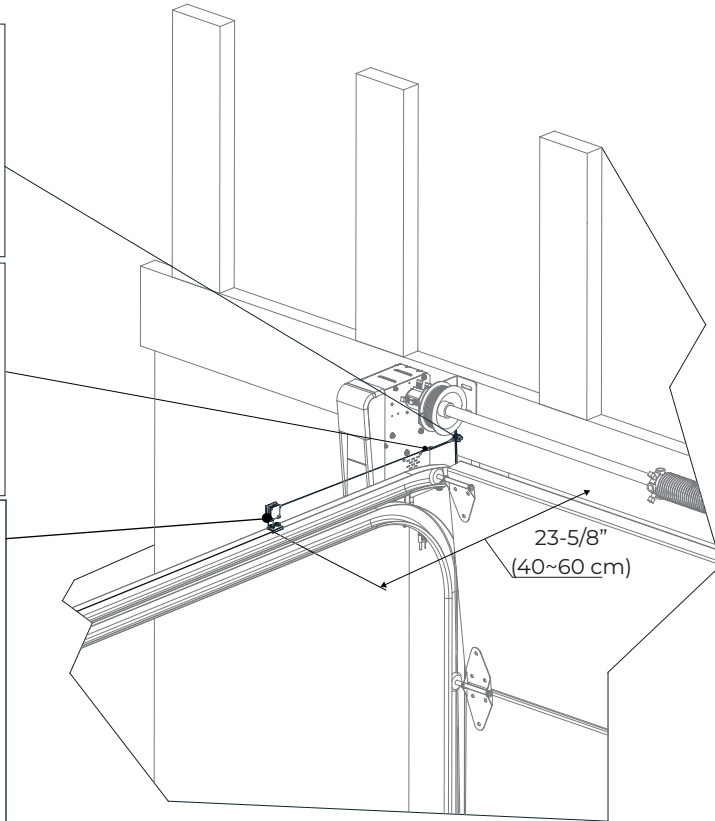
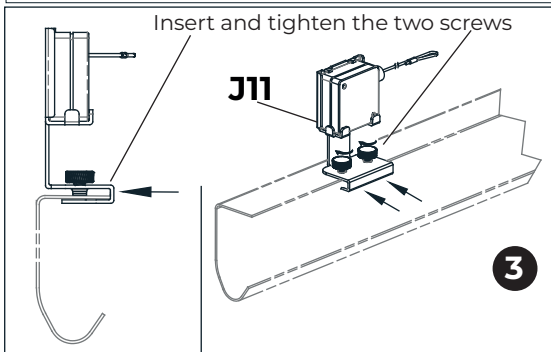
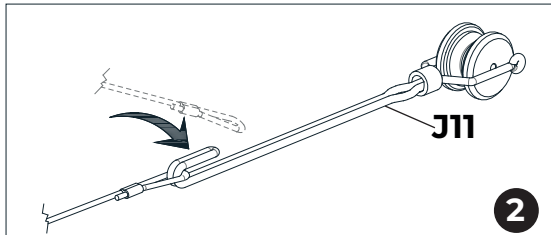
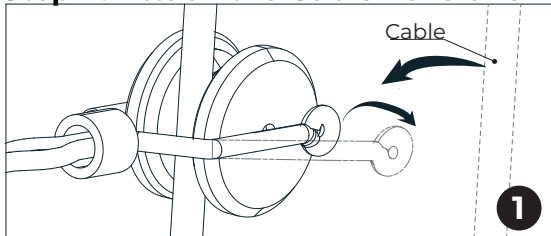
Step 3. Install Door Lock

The door lock is used to prevent the garage door from being manually opened once the door is fully closed.

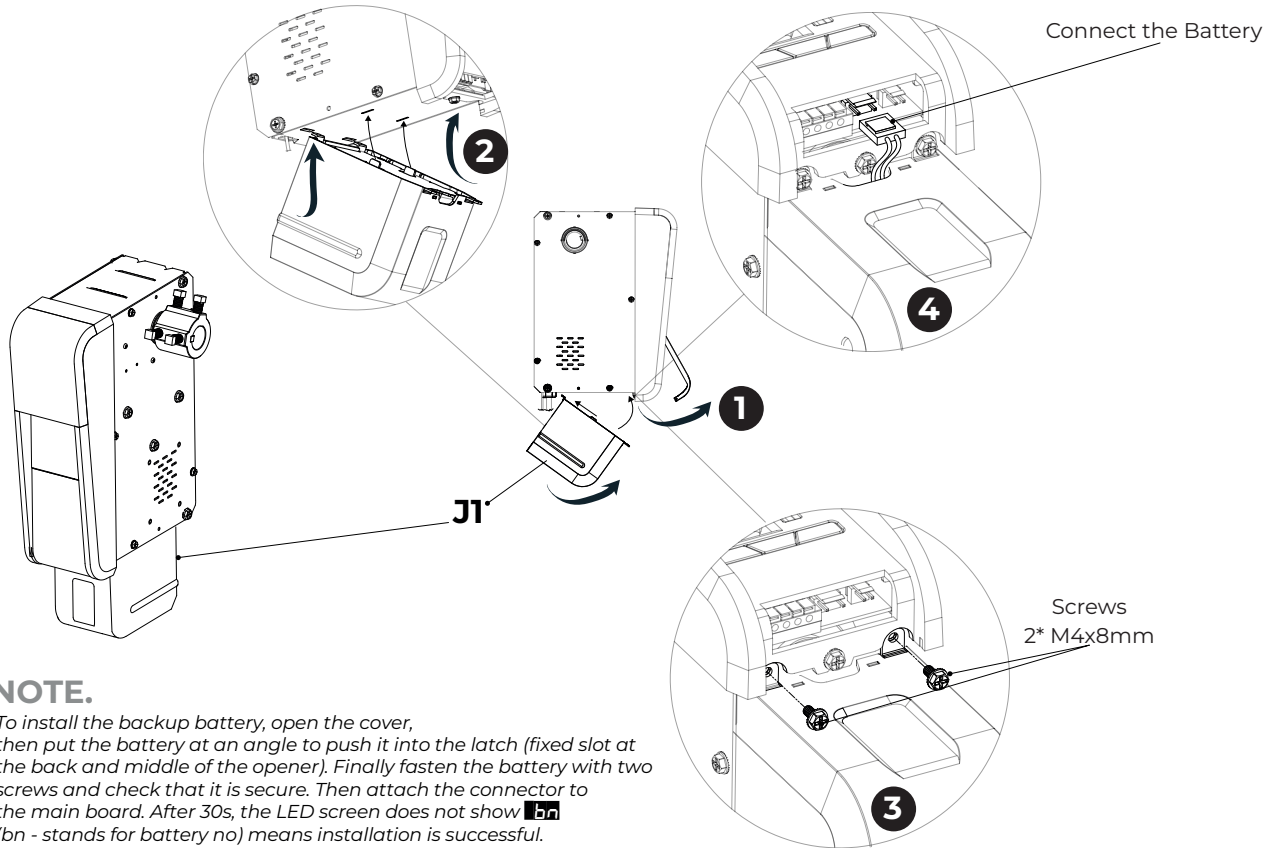
1. The door lock must be mounted within 4.2' (1.3 m) of garage door opener with approximately a 3 inch (7.6 cm) distance between the center of a door roller and the hole for the door lock bolt. If possible, mount on same side as garage door opener. The second roller from the bottom is ideal for most installations.
2. Ensure rail surface is clean and attach lock template to track.
3. Drill holes as marked on the template.
4. Fasten door lock to the outside of the garage door track with hardware provided.
5. Run wire up the wall to garage door opener. Use insulated staples to secure wire in several places. Insert wire through the bottom of the garage door opener.
6. Plug the connector into the garage door opener.
7. Drill hole size location drawing refer to page 38



Step 4. Attach the Cable Tensioner



Step 5. Install the Battery Backup (Optional)



NOTE.

To install the backup battery, open the cover, then put the battery at an angle to push it into the latch (fixed slot at the back and middle of the opener). Finally fasten the battery with two screws and check that it is secure. Then attach the connector to the main board. After 30s, the LED screen does not show **bn** (bn - stands for battery no) means installation is successful.

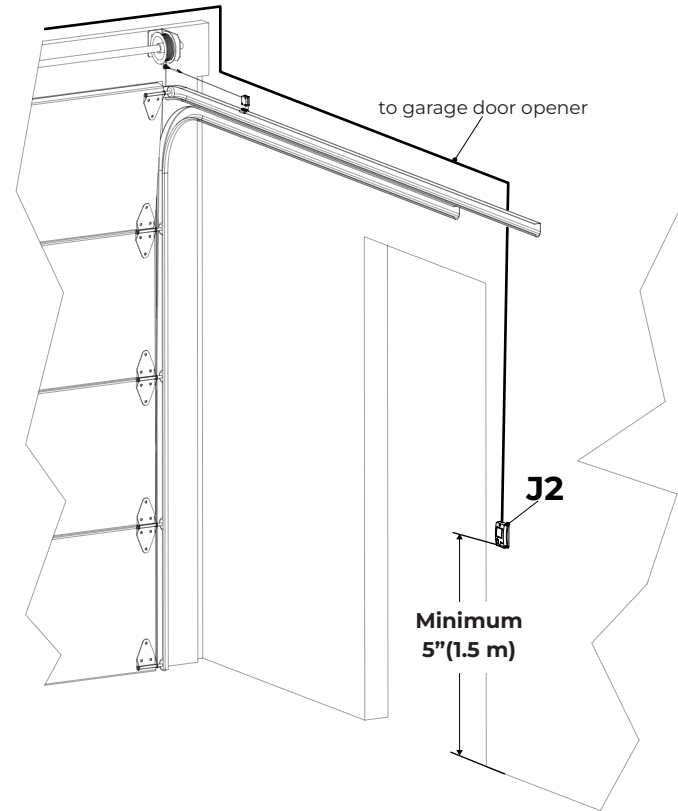
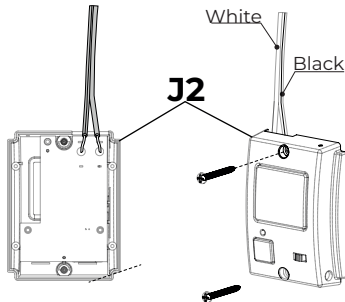
Step 6. Install the door control

WARNING


- Install door control within sight of garage door.
- Door control must be at least 5 ft (1.5 m) above the floor.
- Never permit children to operate door control.
- Always keep garage door in sight until door is fully closed.
- Do not operate door unless it can be seen clearly.

Deluxe Wall Console

1. Remove the insulation from one end of the wire and separate the wires.
2. Connect one wire to each of the two screws on the back of the door control. The wires can be connected to either screw.
3. Position the door control at least 5 ft (1.5 m) above the floor. Mark the locations of the 2 mounting holes and drill two 5/32 inch holes.
4. Install the screws and drywall anchors (if necessary) and secure the door control onto the wall.



Step 7. Wire the door control to the garage door opener

1. Uncoil the wires and run them from the door control to the garage door opener. If you attach the wire to the wall and ceiling with staples (not provided), do not pierce the wire with the staple as this may cause a short or an open circuit.
2. Remove the insulation from the end of the wire near the garage door opener.
3. Connect the 2 wires to the door control terminals  on the garage door opener. To insert or release wires from the terminal, push in the tab with screwdriver tip. The wires can be connected to either terminal.

