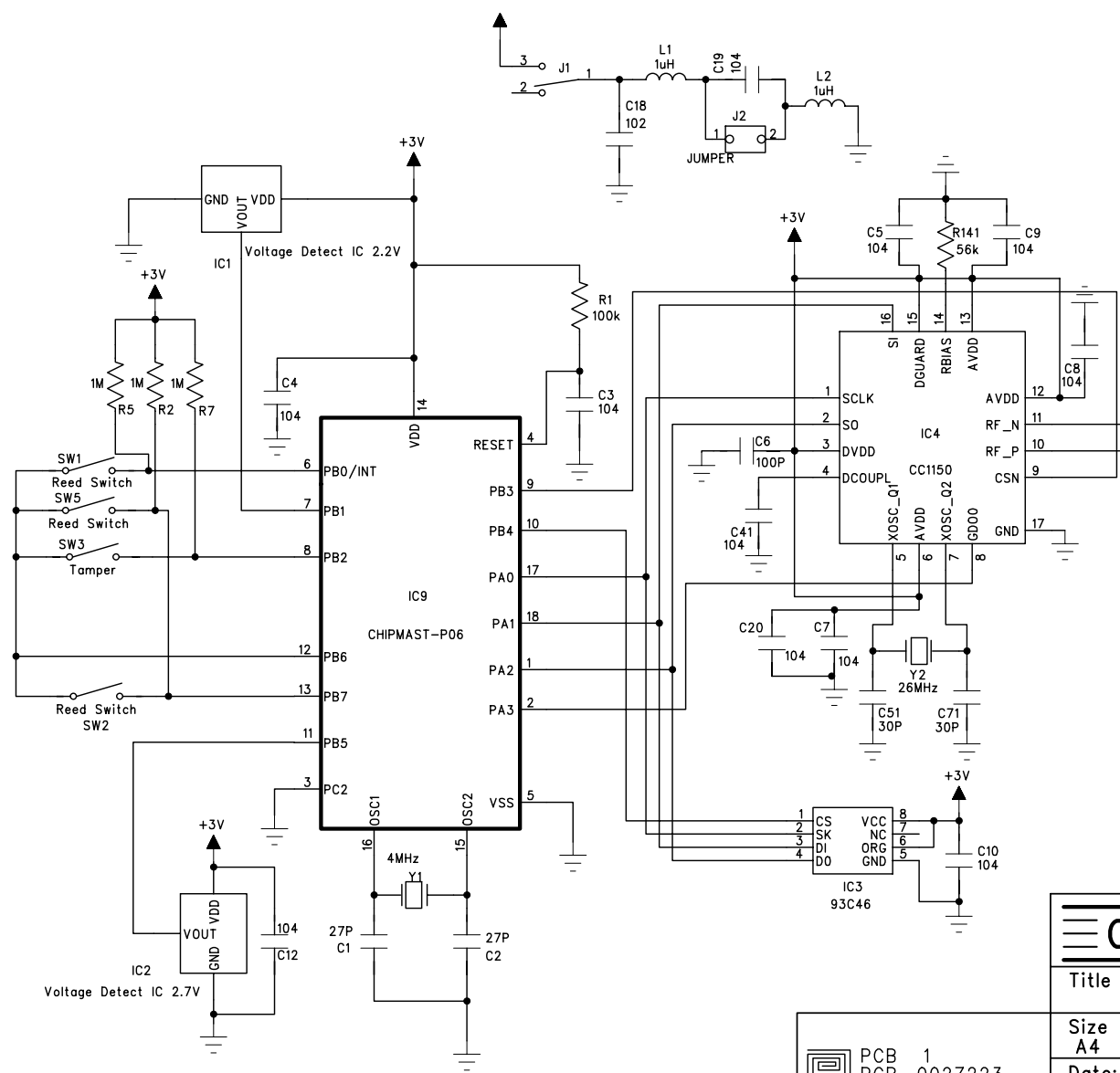


REVISIONS				
LET	REV	DESCRIPTION	DATE	APPD



CPL		CAPITAL PROSPECT LTD.	
Title QS101			
Size A4	Document Number 1	REV A1	
Date: APR 26,2007		Sheet 1/1	

PCB 1
PCB, 002Z223