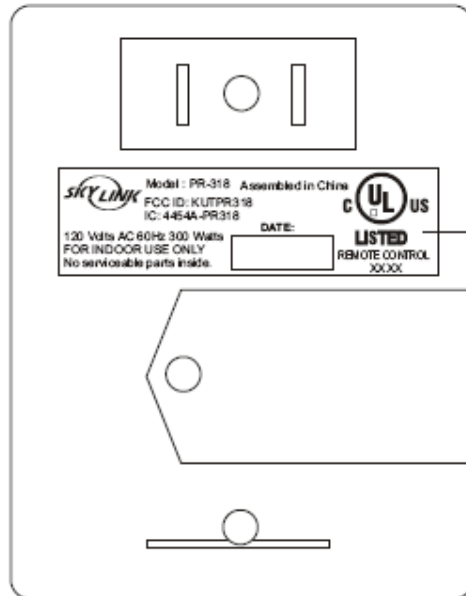
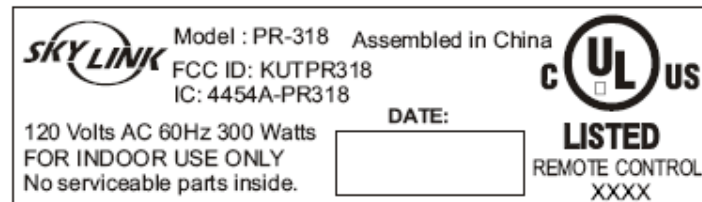


PROPRIETARY INFORMATION



RATING LABEL



LABEL SIZE : 50X15MM

CPL CAPITAL PROSPECT LTD.

MODEL : PR-318
LABELING DIAGRAM
DATE : 16 AUG, 2010
PAGE : 1 OF 1