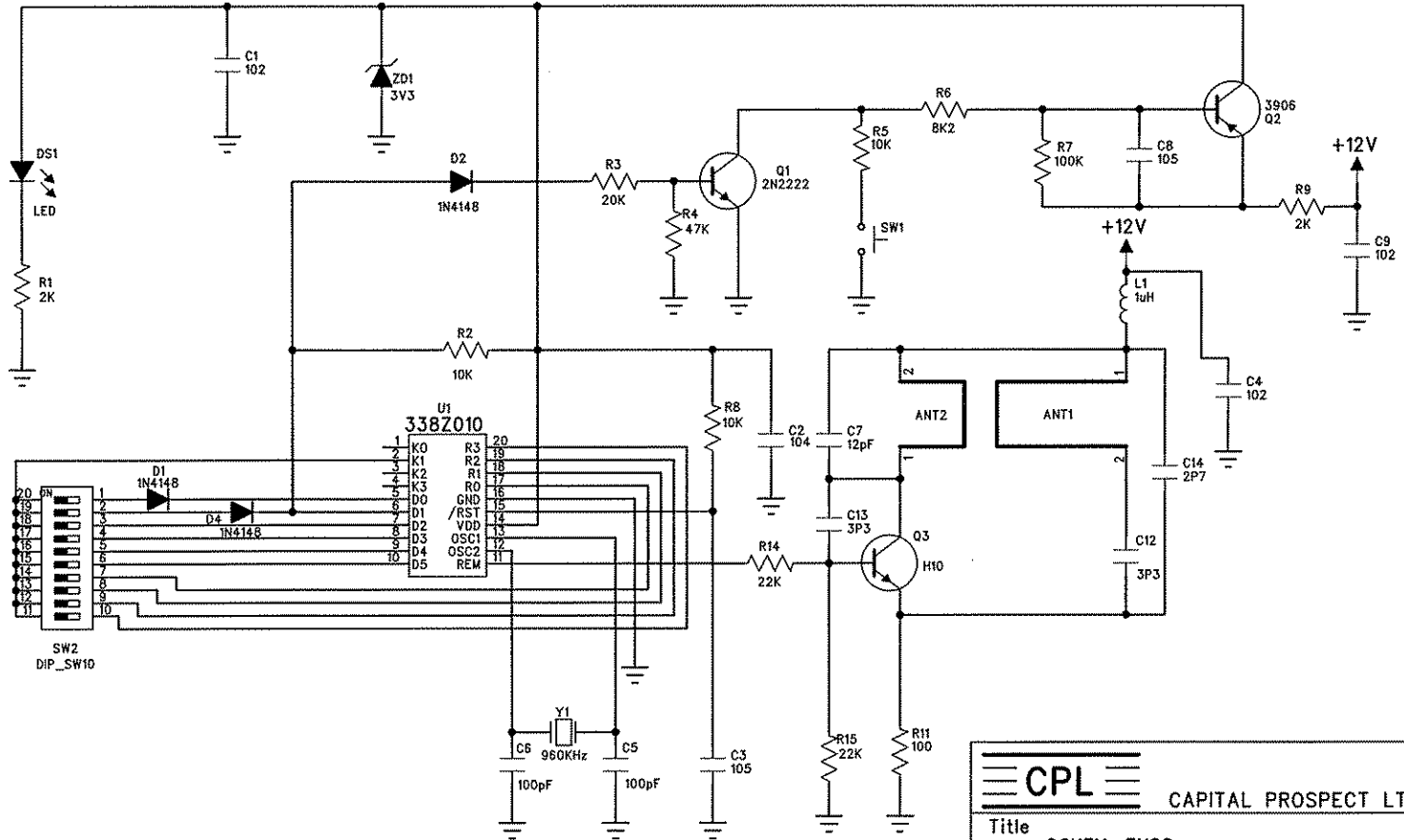


REVISIONS				
LET	REV	DESCRIPTION	DATE	APPD



CPL			
CAPITAL PROSPECT LTD.			
Title SCHEM, FHSS			
Size A4	Document Number MFV-300.SCH	REV A	
Date: SEPT 04,2007	Sheet 1 OF 1		

PCB 1
PCB, 002A