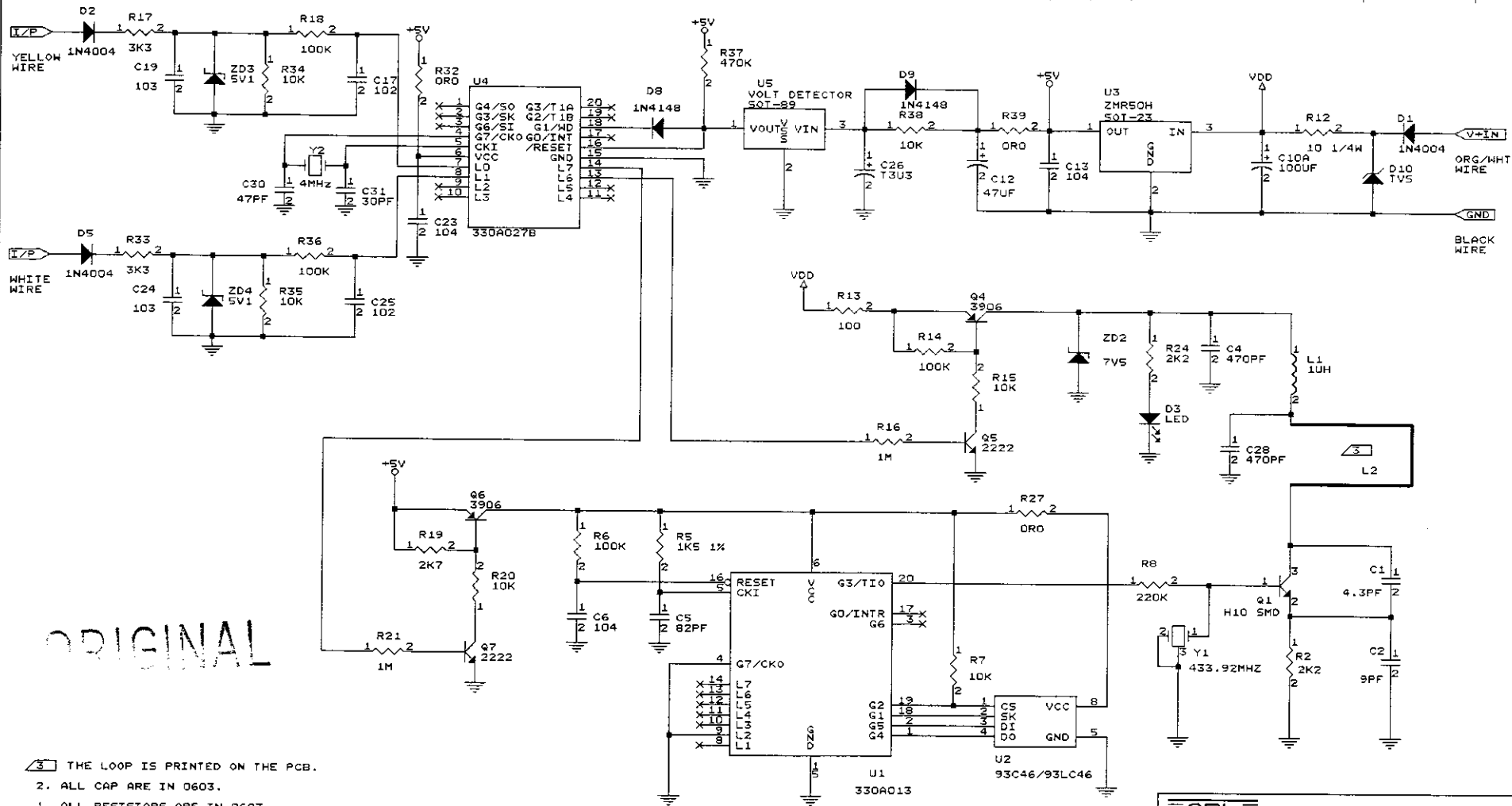


PROPRIETARY INFO

REVISIONS			
LET	REV	DESCRIPTION	DATE
	A	PRODUCTION RELEASE	19-JUL-2001
			APPD



ORIGINAL

- 3 THE LOOP IS PRINTED ON THE PCB.
- 2. ALL CAP ARE IN D603.
- 1. ALL RESISTORS ARE IN D603.
- NOTES: UNLESS OTHERWISE SPECIFIED.

FCC ID: KUTH0838T

CPL CAPITAL PROSPECT LTD.	
Title	SCHEM, HD838T
Size	Document Number
B	HD838T.SCH
Date:	August 25, 2001
Sheet	1 of 1

PCB, 002A112