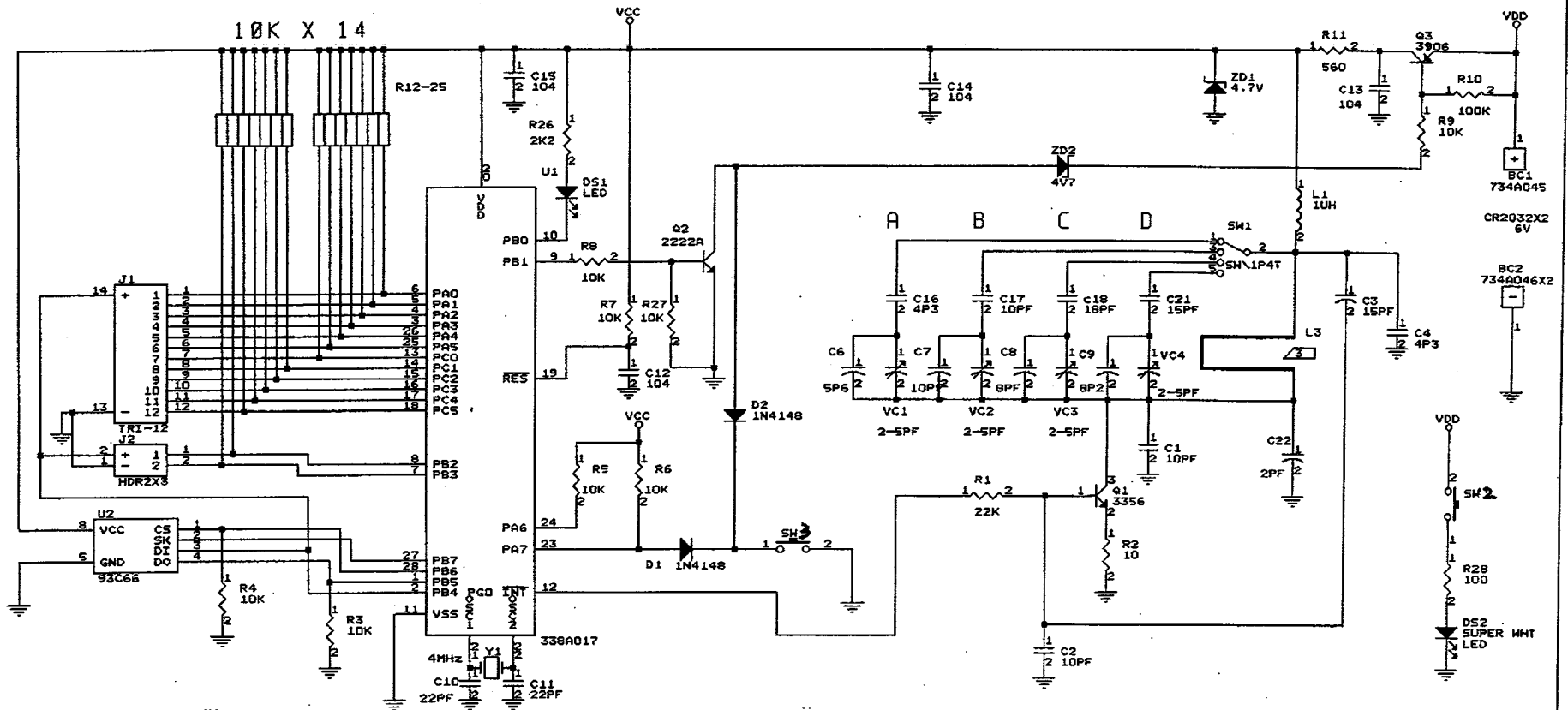


PROPRIETARY INFO

INFORMATION CONTAINED HEREIN IS PROPRIETARY AND IS PROPERTY OF CAPITAL PROSPECT LTD. UNAUTHORIZED USE AND COPYING ARE PROHIBITED.

LET	REV	DESCRIPTION	DATE	APPD
	A	NEW RELEASE	16-AUG-2004	



3. THE ANTENNA LOOP IS PRINTED ON THE PCB.
2. ALL CAPS ARE IN SMD 0603.
1. ALL RESISTORS ARE IN SMD 0603.

NOTES : UNLESS OTHERWISE SPECIFIED.

CPL CAPITAL PROSPECT LTD.	
Title SCHEM, XMTR, BR-100	
Size Document Number BR100.SCH	
Date August 17, 2004	Sheet 1 of 1

27/10/04
C1335