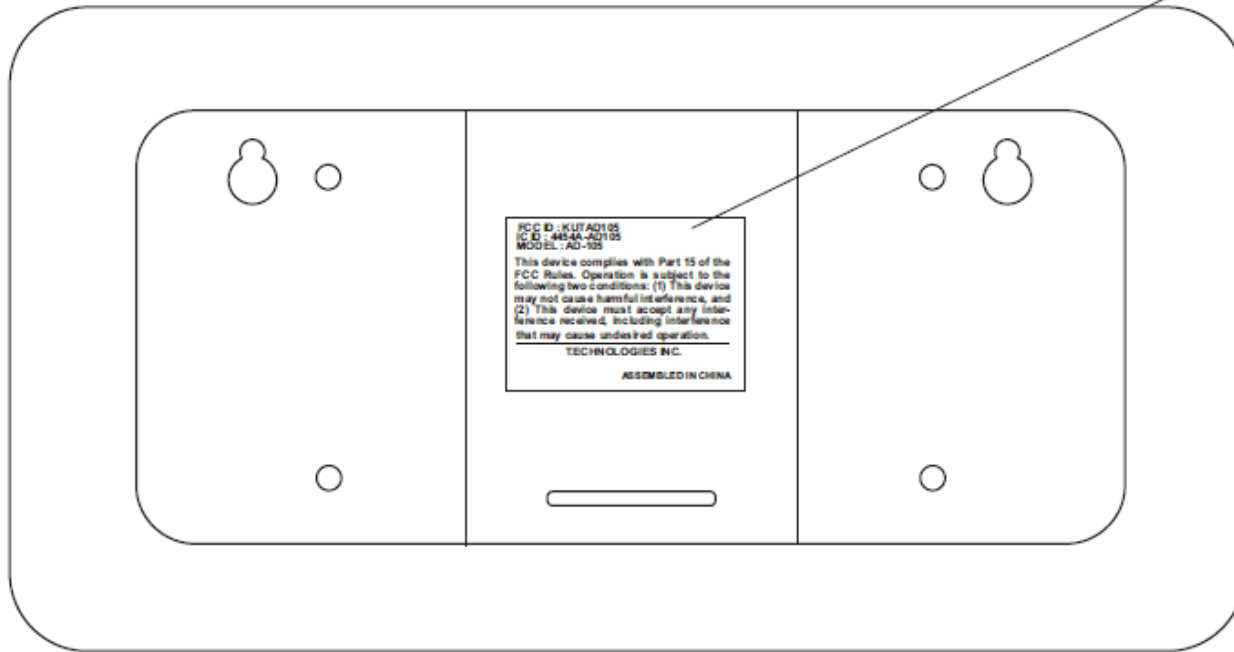


PROPRIETARY INFORMATION



FCC ID : KUTAD105
IC : 4454A-AD105
MODEL : AD-105

This device complies with Part 15 of the FCC Rules. Operation is subject to the following two conditions: (1) This device may not cause harmful interference, and (2) This device must accept any interference received, including interference that may cause undesired operation.

CAPITAL PROSPECT LTD.

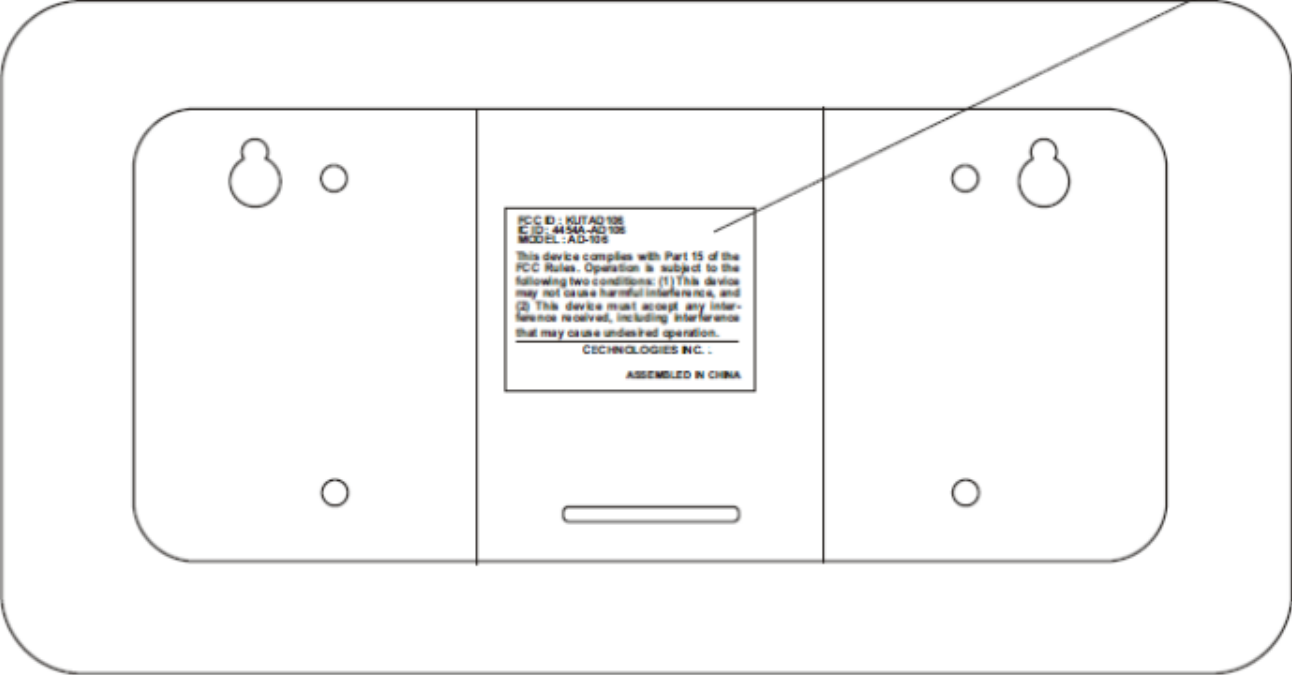
ASSEMBLED IN CHINA

LABEL SIZE : 30 X 20mm

CPL CAPITAL PROSPECT LTD.

MODEL : AD-105
LABELING DIAGRAM
DATE : 26 JULY, 2010
PAGE : 1 OF 1
AD105_LABEL.cdr

PROPRIETARY INFORMATION



FCC ID : KUTAD105
IC : 4454A-AD105
MODEL : AD-106
This device complies with Part 15 of the FCC Rules. Operation is subject to the following two conditions: (1) This device may not cause harmful interference, and (2) This device must accept any interference received, including interference that may cause undesired operation.
CAPITAL PROSPECT LTD.
ASSEMBLED IN CHINA

LABEL SIZE : 30 X 20mm

CPL CAPITAL PROSPECT LTD.
MODEL : AD-106
LABELING DIAGRAM
DATE : 26 JULY, 2010
PAGE : 1 OF 1
AD105_LABEL.cdr