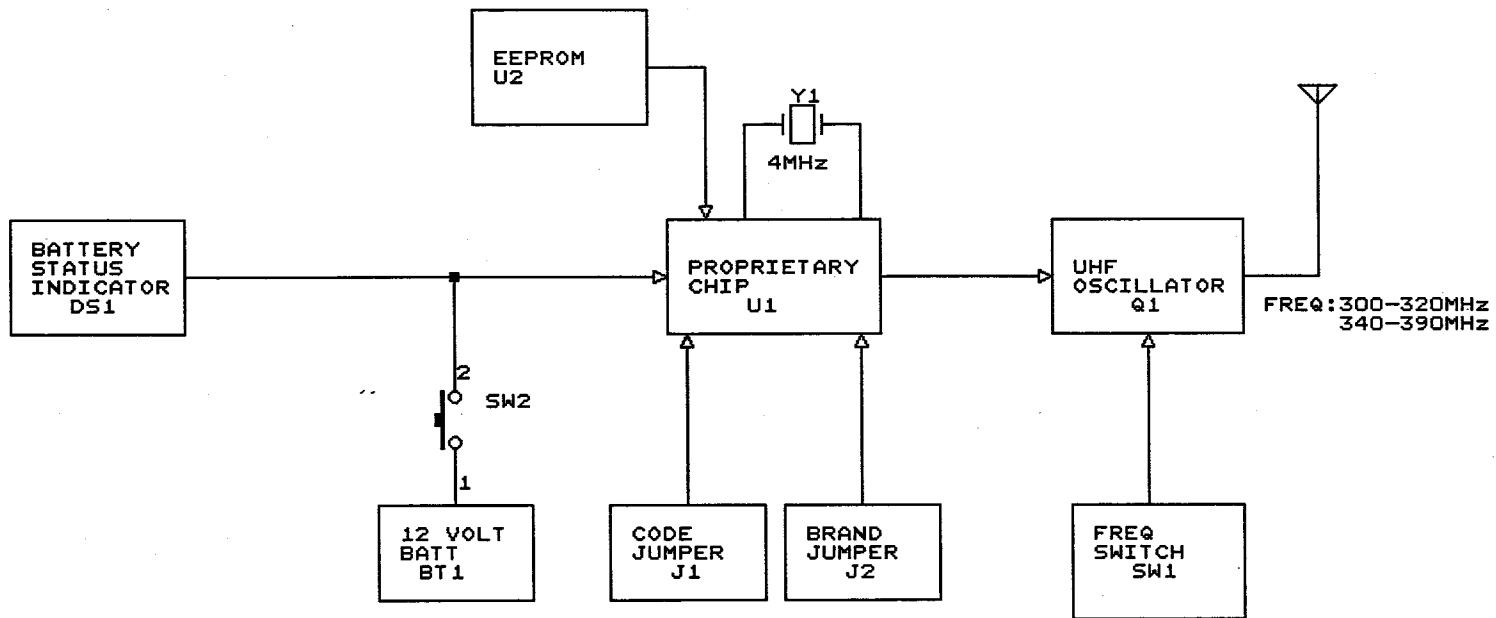


PROPRIETARY INFO

| REVISIONS |     |                    |            |      |
|-----------|-----|--------------------|------------|------|
| LET       | REV | DESCRIPTION        | DATE       | APPD |
|           | A   | PRODUCTION RELEASE | 6-MAY-2003 |      |



**CPL** CAPITAL PROSPECT LTD.

FILE DIR:

|                           |                 |              |
|---------------------------|-----------------|--------------|
| Title                     |                 |              |
| BLOCK DIAG, TX, 69 SERIES |                 |              |
| Size                      | Document Number | REV          |
| A                         | 69BLK.SCH       | A            |
| Date:                     | May 15, 2003    | Sheet 1 of 1 |