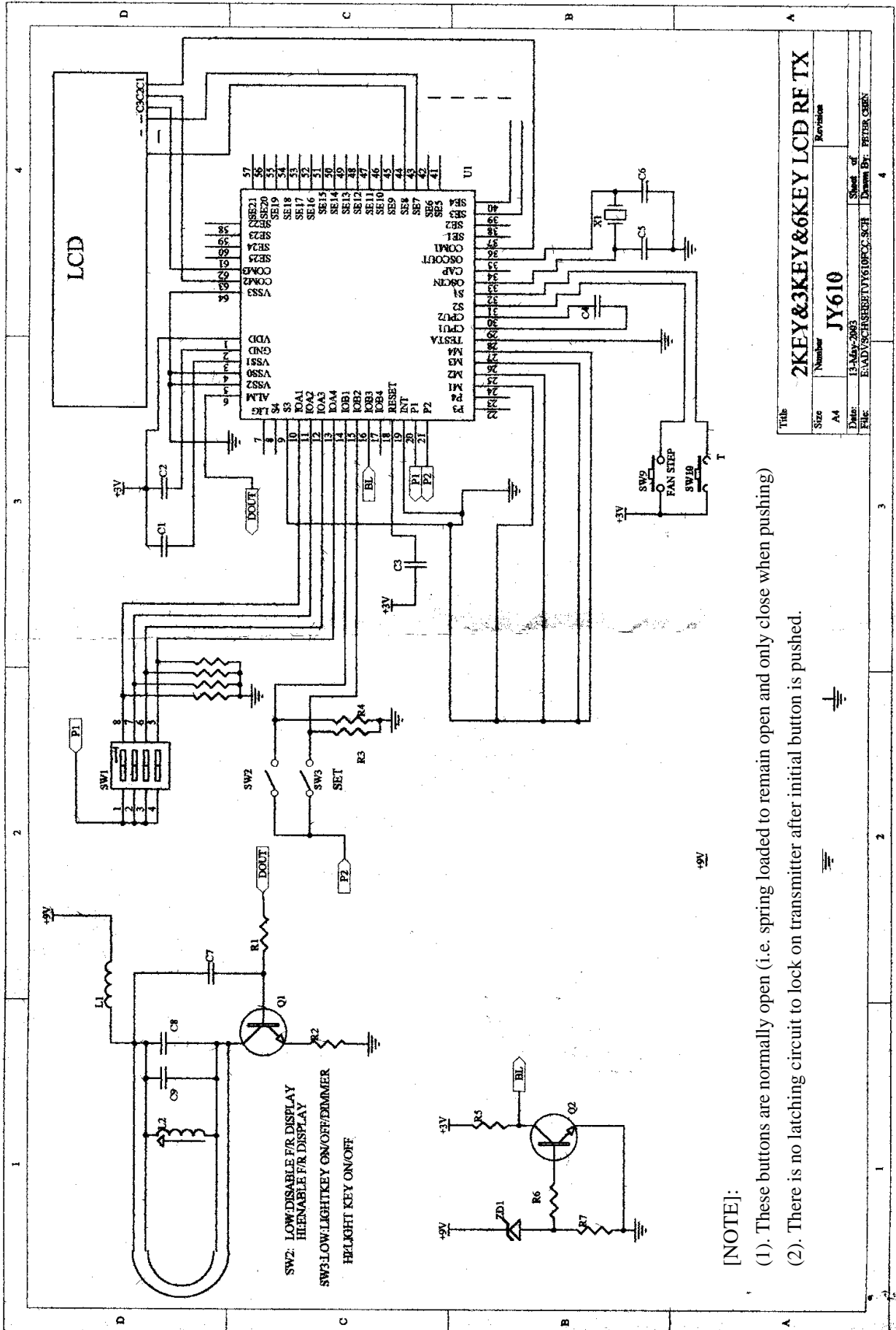


Block Diagram



Title		2KEY&3KEY&6KEY LCD RF TX	
Size	Number	Revision	
A4	JY610		
Drawn	Sheet of	4	
FILE	Drawn By	PETER CHEN	

[NOTE]:
 (1). These buttons are normally open (i.e. spring loaded to remain open and only close when pushing)
 (2). There is no latching circuit to lock on transmitter after initial button is pushed.