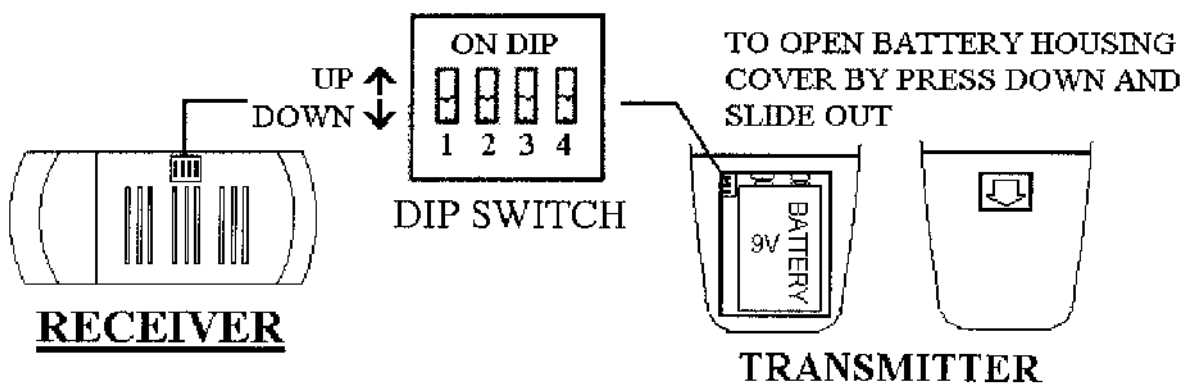


### SETTING THE CODE / INSTALLING THE BATTERY

1. The remote control is operated by a set of transmitter and receiver. Before installing the receiver, set a 4-DIGIT CODE on both units by pushing the dip switches up or down. It is imperative that the code used for both the transmitter and receiver is exactly the SAME, otherwise, the remote control will not work. The code system enables you to operate a second remote control independently. For example, if you have two ceiling fans with 2 sets of remote control, set 2 different codes for each set of transmitter / receiver. Then you can operate each ceiling fan independently.

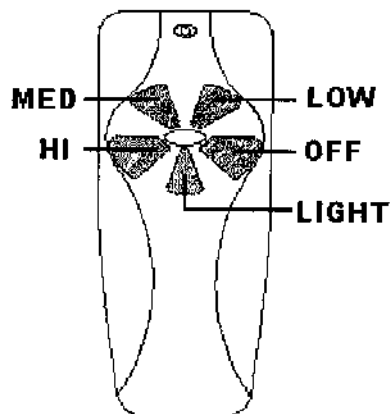
NOTE : Do Not Use The Code Combinations of 4 "UP"s or 4 "DOWN"s.

2. After setting the code, install a 9-Volt battery (not included) to the transmitter and close the battery housing cover. Proceed with installing the receiver.

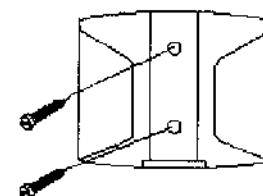
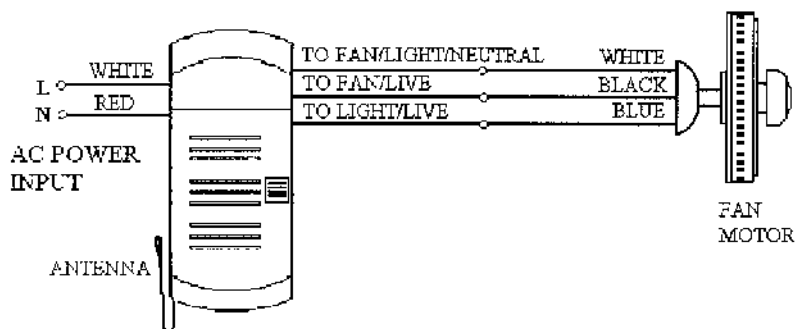


### FUNCTIONS OF TRANSMITTER

- OFF : Turn off the ceiling fan.
- HI : Turn on the fan at high speed
- MED : Turn on the fan at medium speed
- LOW : Turn on the fan at low speed
- LIGHT : ON/OFF : Press and release immediately to turn on or off the light
- DIMMER : Press and hold to dim or brighten lights to the desired level and release. (Only for the tungsten bulb.)



### Ceiling Fan Remote Control Wiring Connection



Installation of Transmitter Wall Mount Holder with two screws.

## CEILING FAN REMOTE CONTROL OPERATION AND INSTALLATION INSTRUCTIONS

(Please keep this instruction pamphlet.)

### IMPORTANT

YOU MUST SET THE SWITCHES ON THE CEILING FAN MANUALLY  
TO "HIGH" FOR FAN SPEED AND "ON" FOR LIGHT(S) (IF ANY)  
BEFORE OPERATING WITH THE REMOTE CONTROL.

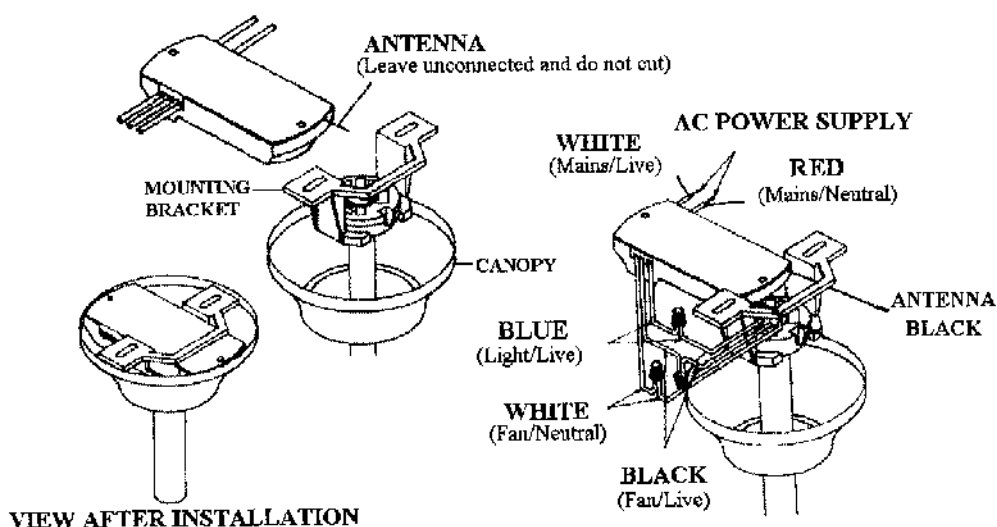
### IMPORTANT POINTS TO REMEMBER:

1. Read and save these instructions.
2. Please note that all fixed wiring appliances should be installed by a qualified electrician.
3. This unit is to be used for the control of ceiling fans at AC120V 60Hz power supply only.
4. The supply to the remote control receiver should be connected through a mains switch, i.e. the existing wall switch.
5. Disconnect from power supply at wall switch before working on remote control receiver or ceiling fan.
6. Not for use in applications where the fan's canopy is to be mounted to an angle or vaulted ceiling.
7. Install receiver into the ceiling fan canopy of the fan to ensure proper protection.
8. Do not pull or cut leads.
9. Do not install in damp locations or immerse in water. (For INDOOR use only.)
10. Store the transmitter away from heat and moisture. Do not drop or bump the unit.
11. The battery will deteriorate with age. Replace before leaking takes place as this will damage the transmitter.

### INSTALLATION INSTRUCTIONS

CAUTION: INCORRECT WIRE CONNECTION WOULD DAMAGE THIS RECEIVER.

1. Before installing the remote control receiver, connect the ceiling fan to power and set the switches on the fan manually to "HIGH" for fan speed and "ON" for light(s) (if any).
2. Then disconnect power from the fan and make wire connections to the receiver. After the connections are made, insert the receiver into the mounting bracket. Lift up and install the canopy to cover the receiver and mounting bracket. If the Light/Live wire is not connected, it must be insulated to prevent electric leakage.



**FEDERAL COMMUNICATIONS COMMISSION  
INTERFERENCE STATEMENT**

This equipment has been tested and found to comply with the limits for a Class B digital device, pursuant to Part 15 of the FCC Rules. These limits are designed to provide reasonable protection against harmful interference in a residential installation. This equipment generates, uses and can radiate radio frequency energy and, if not installed and used in accordance with the instructions, may cause harmful interference to radio communications. However, there is no guarantee that interference will not occur in a particular installation. If this equipment does cause harmful interference to radio or television reception, which can be determined by turning the equipment off and on, the user is encouraged to try to correct the interference by one or more of the following measures:

- Reorient or relocate the receiving antenna.
- Increase the separation between the equipment and receiver.
- Connect the equipment into an outlet on a circuit different from that to which the receiver is connected.
- Consult the dealer or an experienced radio/TV technician for help.

**CAUTION:****To assure continued FCC compliance:**

Any changes or modifications not expressly approved by the grantee of this device could void the user's authority to operate the equipment.