

# TR293A WALL TRANSMITTER

## OPERATION AND INSTALLATION INSTRUCTIONS

(Please keep this instruction pamphlet.)


### IMPORTANT POINTS TO REMEMBER:

1. Read and save these instructions.
2. Please note that all fixed wiring appliances should be installed by a qualified electrician.
3. The supply to the remote control receiver should be connected with this wall control transmitter.
4. Disconnect from power supply at wall switch before working on remote control receiver or ceiling fan.
5. Install receiver into the ceiling fan canopy of the fan to ensure proper protection.
6. This unit is to be used for the control of ceiling fan and in an AC120V 60Hz power supply only.
7. Do not install in wee locations or immerse in water.
8. Do not pull on or cut leads shorter.
9. Do not drop or bump the unit.
10. PLEASE NOTE: The battery will weaken with age and should be replaced before leaking takes place as this will damage the transmitter. Dispose of used battery properly, and keep the battery out of reach of children.

### ACTIVATING THE LEARNING PROCESS

1. Open plate cover and install batteries, DC1.5V/ AAA\*2pcs.

2. After installation is complete, AC power is

turned on and  SWITCH for fan is at ON position within 30 seconds, press and hold the **SET** button for 3 seconds. The receiver will make sound, Bi, once. This will indicate the receiver has learned the ID that was previously selected on the transmitter. Then the wall transmitter can control the receiver.

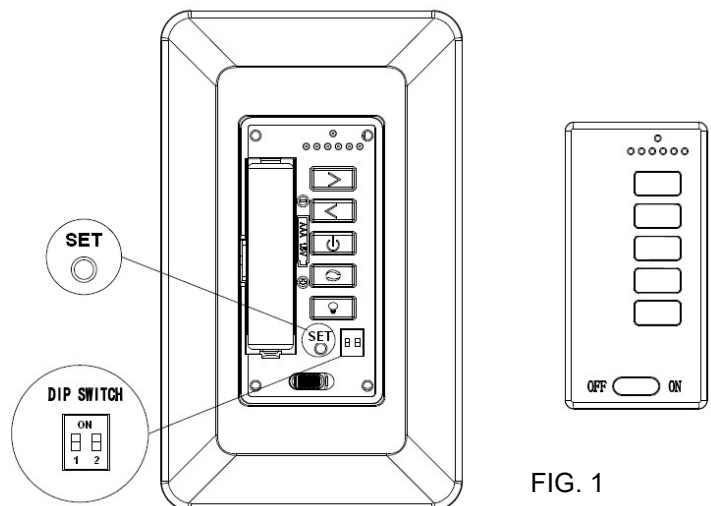


FIG. 1

3. If user cannot finish the setting within the

30 seconds time frame, the main power must be turned off and re-started again. This will reset the unit. Repeat step 1 until the LEARNING feature is activated as indicated. (Fig. 1)

### FUNCTIONS OF REMOTE CONTROL: (Fig. 2)



While the fan is on, press this button to increasing fan speed (1~6speed).



While the fan is on, press this button to decreasing fan speed (1~6 speed).



Press this button to turn the fan on or off.

TR293A

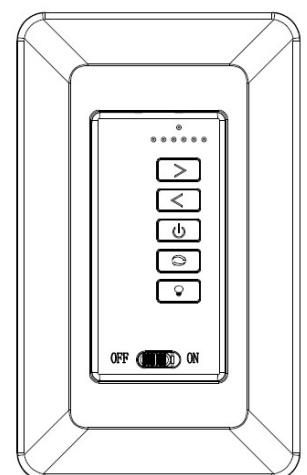


FIG. 2



Press this button to set fan wind direction up or down.



ON/OFF—Press this button and release instantly to turn on or off the light.

DIMMER—Press and hold to dim or brighten lights to the desired level and release.

(Tungsten bulb or dimmerable LED only)



AC POWER ON/OFF SWITCH, Slide to left to set power off, Slide to right to set power on.



LED indicator · When pressing remote button, the LED indicator on position 1 would

be on. When press fan speed button, the LED indicator on position 2~7 would be on( 1~6 speed).

## INSTALLING WALL CONTROL (TRANSMITTER):

Remove wall plate, disconnect and remove the toggle switch from wall junction box. Secure wall control unit with 2 screws previously removed. Face plate could be screwed onto the transmitter. (Fig. 3)

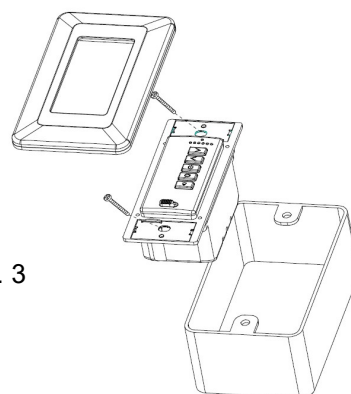


FIG. 3

### To assure continued FCC compliance:

#### FEDERAL COMMUNICATIONS COMMISSION INTERFERENCE STATEMENT

This equipment has been tested and found to comply with the limits for a Class B digital device, pursuant to Part 15 of the FCC Rules. These limits are designed to provide reasonable protection against harmful interference in a residential installation. This equipment generates, uses and can radiate radio frequency energy and, if not installed and used in accordance with the instructions, may cause harmful interference to radio communications. However, there is no guarantee that interference will not occur in a particular installation. If this equipment does cause harmful interference to radio or television reception, which can be determined by turning the equipment off and on, the user is encouraged to try to correct the interference by one or more of the following measures:

--Reorient or relocate the receiving antenna. --Increase the separation between the equipment and receiver. --Connect the equipment into an outlet on a circuit different from that to which the receiver is connected. --Consult the dealer or an experienced radio/TV technician for help.

#### CAUTION:

#### To assure continued FCC compliance:

Any changes or modifications not expressly approved by the grantee of this device could void the user's authority to operate the equipment.

#### FCC ID : KUJCE10701

This device complies with Part 15 of the FCC Rules. Operation is subject to the following two conditions: (1) This device may not cause harmful interference, and (2) this device must accept any interference received, including interference that may cause undesired operation.

#### IC : 10786A-TR293A

This device complies with Industry Canada license-exempt RSS standard(s). Operation is subject to the following two conditions: (1) this device may not cause interference, and (2) this device must accept any interference, including interference that may cause undesired operation of the device.

#### French:

Cet appareil radio est conforme au CNR d'Industrie Canada. L'utilisation de ce dispositif est autorisée seulement aux deux conditions suivantes : (1) il ne doit pas produire de brouillage, et (2) l'utilisateur du dispositif doit être prêt à accepter tout brouillage radioélectrique reçu, même si ce brouillage est susceptible de compromettre le fonctionnement du dispositif.