

HAND HELD AND MAG MOUNT OPERATION AND INSTALLATION INSTRUCTIONS

NOTE: For the remote to work properly fan must be on HIGH speed and lights must be ON prior to use.

IMPORTANT SAFETY INSTRUCTIONS

1. Read and keep this instruction sheet carefully.
2. Please note that all fixed wiring appliances should be installed by a qualified electrician.
3. The supply to the receiver should be connected on its own circuit.
4. Switch off the power at main power box before working on receiver or ceiling fan.
5. Install receiver into the canopy of ceiling fan per Fig's 1 and 2.
6. This unit is to be used for the control of ceiling fan and its electrical source must be AC 110/120V, 60Hz.
7. Do not install in damp location or immerse into water. (For indoor use only)
8. Do not drop or bump the unit.
9. Do not use with solid state ceiling fans.
10. **CAUTION:** To reduce the risk of fire or injury, do not use this product in conjunction with any variable (rheostat) wall control.

INSTALLATION INSTRUCTIONS

1. After switching power off, remove ceiling fan canopy from the mounting bracket. Disconnect existing wiring between ceiling fan and supply at electrical junction box. -
2. Slide the receiver into the mounting bracket as shown (see Fig.1) being careful not to pinch the antenna wire. The receiver will be inserted between the down rod and the mounting bracket.
3. Make wiring connections per Fig.2 & 3. **CAUTION:** Incorrect wire connection can damage this receiver and could cause injury or fire.
4. Push all connected wires back into the junction box and reinstall the canopy onto the mounting bracket.
5. Manually set fan speed control to HIGH and set light to ON using the pull chains.

LEARNING PROCESS (SMART SYNC)

1. After installation is complete and power is turned on, remove the battery cover on transmitter. Insert batteries (4 AAA, included). **NOTE:** Do not mix old and new batteries, alkaline, standard (carbon-zinc) or rechargeable (nickel-cadmium) batteries.
2. Use a small screwdriver or ballpoint pen to press and hold the "LEARN" key, located in the battery compartment, for 3 seconds. Fan will turn on at high speed and light (if installed) blinks 3 times. This confirms that the LEARNING setting is active. Tap FAN OFF button to turn off the fan. **CAUTION:** User must press "LEARN" key within 30 seconds after main power on. It is not necessary to redo the LEARNING setting if just replacing batteries.
3. If user cannot finish the setting within the 30 seconds timeframe, please turn off the main power and re-start the power again. This will reset the unit. Repeat step 2 until the LEARNING feature is activated as indicated.

DIMMER / ON OFF SETTING (D/O)

Slide the D/O switch, located in the battery compartment, to match the bulb type in your fan. "D" for incandescent bulbs and "O" indicates compact fluorescent bulbs (CFL). Use a small screwdriver or ballpoint pen to slide firmly left or right. **CAUTION:** Incorrect setting can damage the receiver.

TRANSMITTER FUNCTIONS

High / Medium / Low Speed – Tap lightly to turn the fan on at high, medium or low speed respectively.

Fan Off – Tap lightly to turn the fan off.

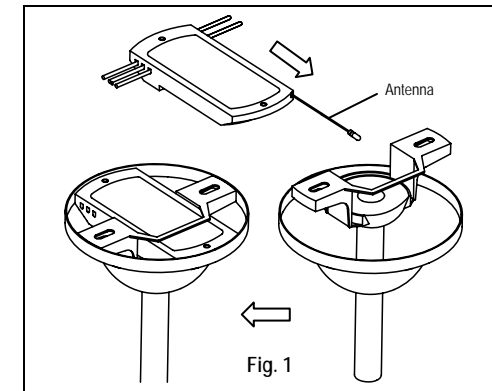
Light – Tap lightly to turn light on or off. Hold down for 2 seconds to cycle through dimmer setting. The light button has an auto resume feature so the light will re-activate at the same brightness as the last time it was turned off. **NOTE:** The dimmer function does not work with CFL bulbs.

Walk Away Light Delay – Tap once - the light and fan turn off after 1 minute. Light on the fan blinks once to confirm function is active. Press any button to cancel function.

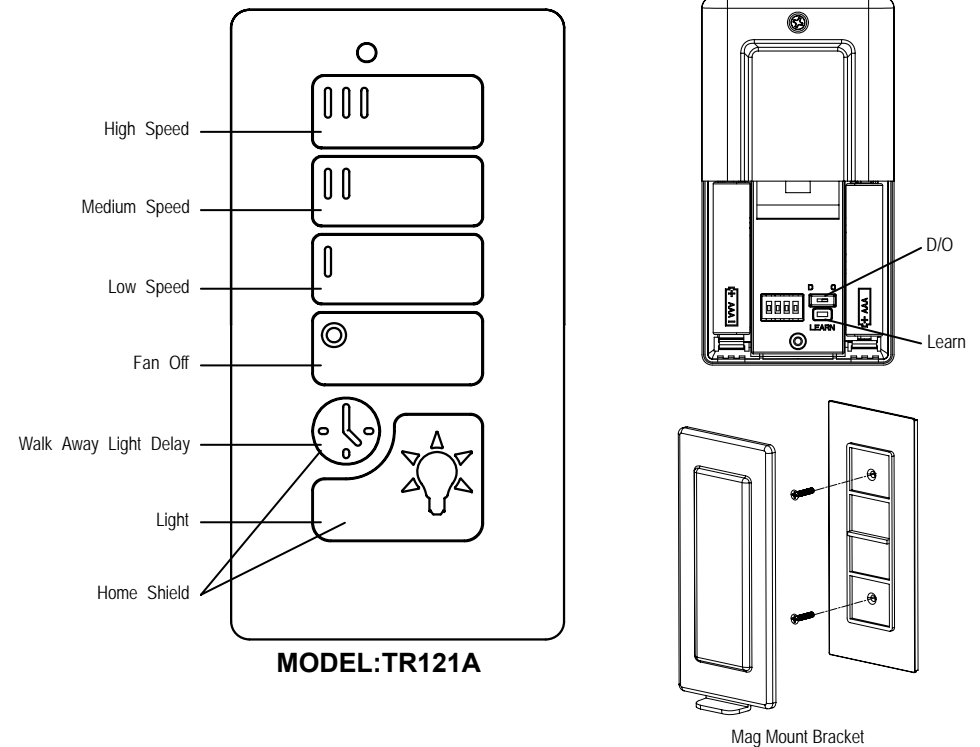
Home Shield – Press and hold the Light and Delay buttons for 3 seconds. Light on the fan blinks two times to confirm function is active. Fan will be off and the light will randomly turn on and off while you are away. To deactivate press any button once.

D/O – Set the light for use with incandescent bulbs or compact fluorescent bulbs (CFL). **NOTE:** Factory setting is CFL.

LEARN – Synchronizes transmitter and receiver signals.



Receiver Installation
(Do Not Pinch Antenna Wire)



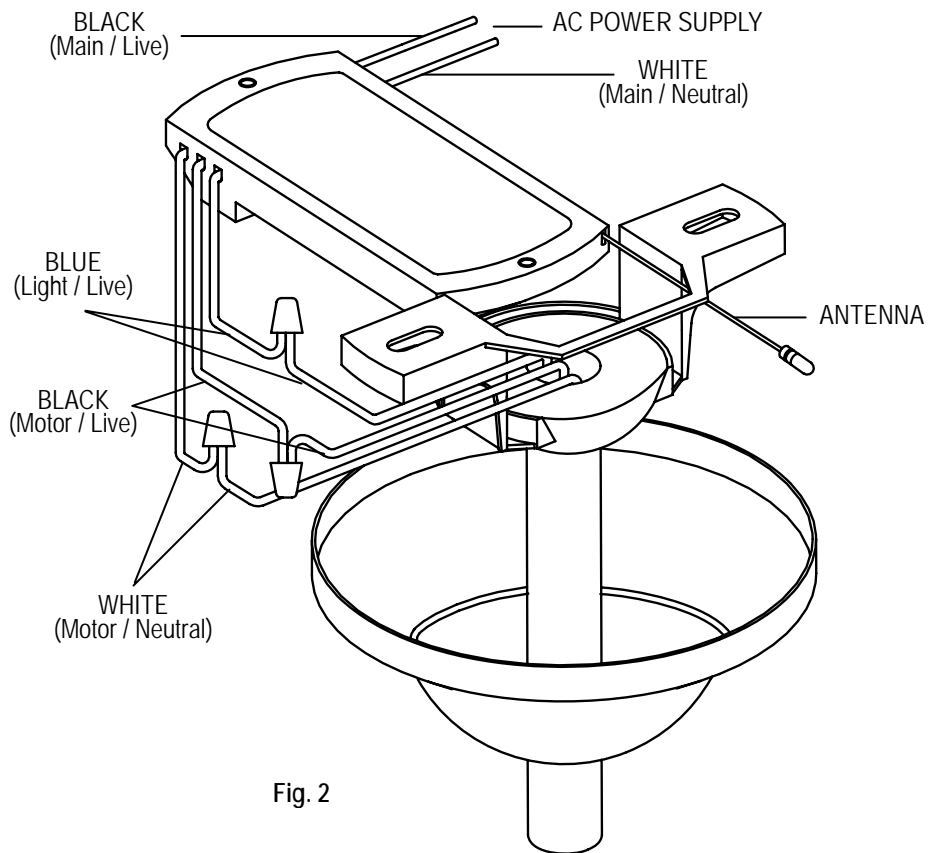


Fig. 2

FEDERAL COMMUNICATIONS COMMISSION INTERFERENCE STATEMENT

This equipment has been tested and found to comply with the limits for a Class B digital device, pursuant to Part 15 of the FCC Rules. These limits are designed to provide reasonable protection against harmful interference in a residential installation. This equipment generates, uses and can radiate radio frequency energy and, if not installed and used in accordance with the instructions, may cause harmful interference to radio communications. However, there is no guarantee that interference will not occur in a particular installation. If this equipment does cause harmful interference to radio or television reception, which can be determined by turning the equipment off and on, the user is encouraged to try to correct the interference by one or more of the following measures:

- Reorient or relocate the receiving antenna.
- Increase the separation between the equipment and receiver.
- Connect the equipment into an outlet on a circuit different from that to which the receiver is connected.
- Consult the dealer or an experienced radio/TV technician for help.

CAUTION:

To assure continued FCC compliance:

Any changes or modifications not expressly approved by the grantee of this device could void the user's authority to operate the equipment.

FCC ID : KIJCE10002

This device complies with Part 15 of the FCC Rules. Operation is subject to the following two conditions: (1) This device may not cause harmful interference, and (2) this device must accept any interference received, including interference that may cause undesired operation.

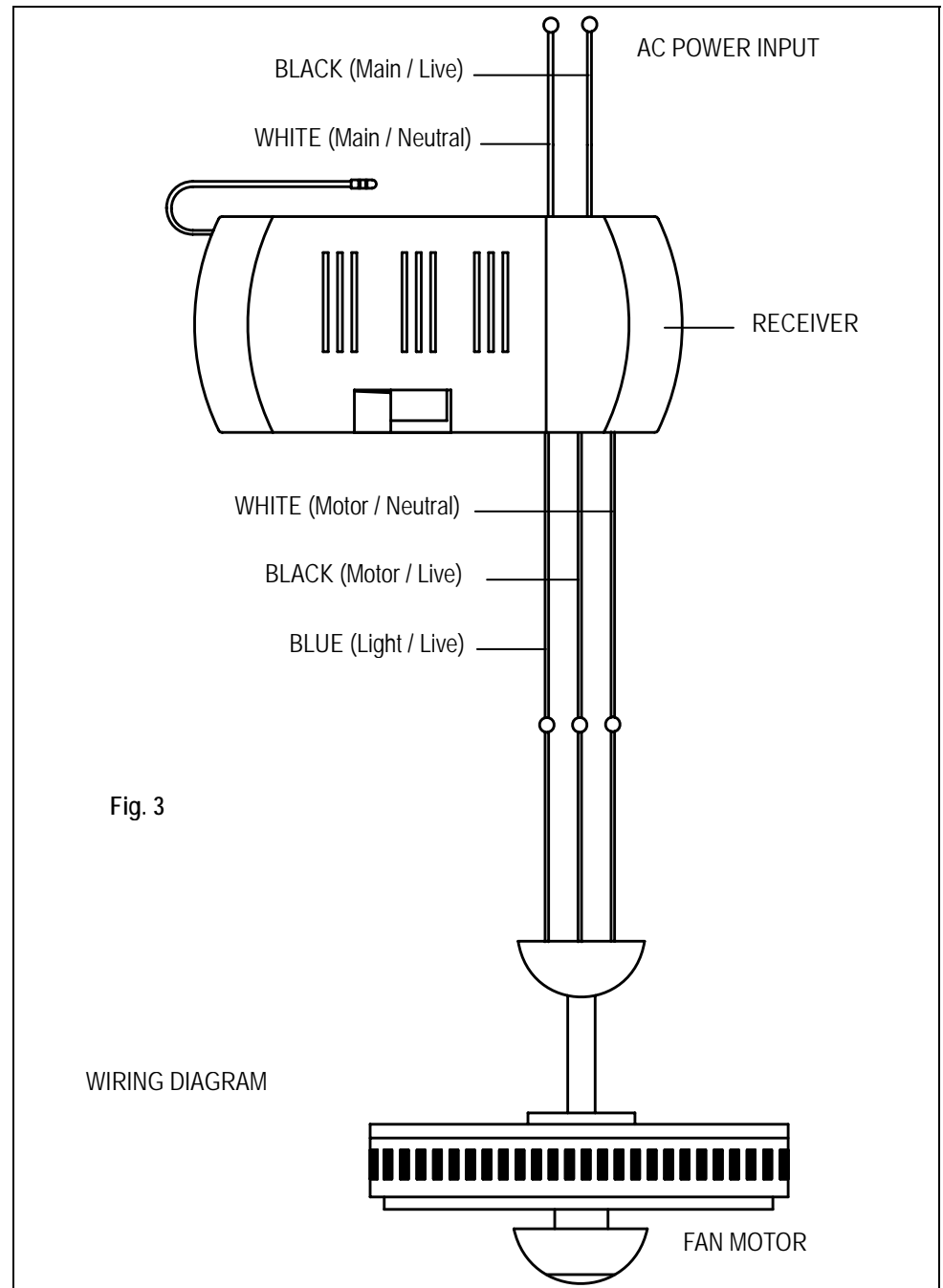


Fig. 3

WIRING DIAGRAM