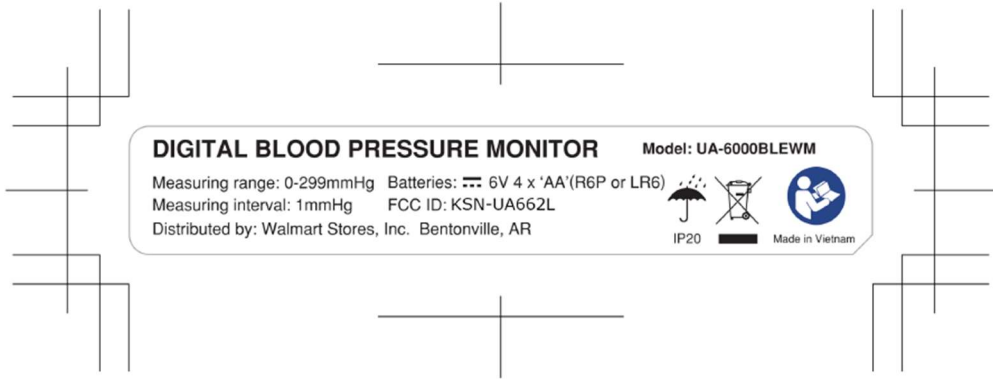
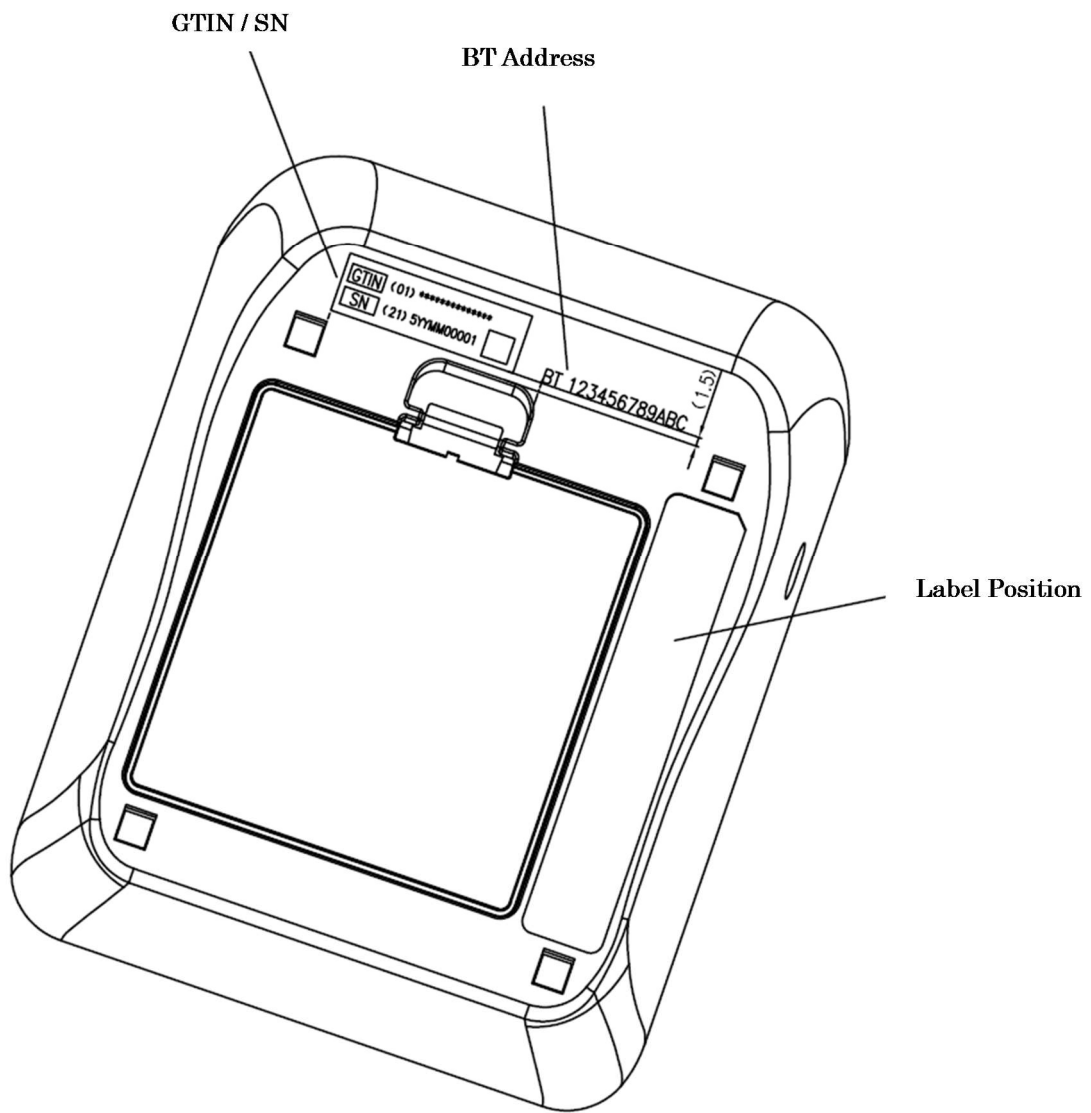


UA-662BLE Label





Backside of Blood Pressure Monitor