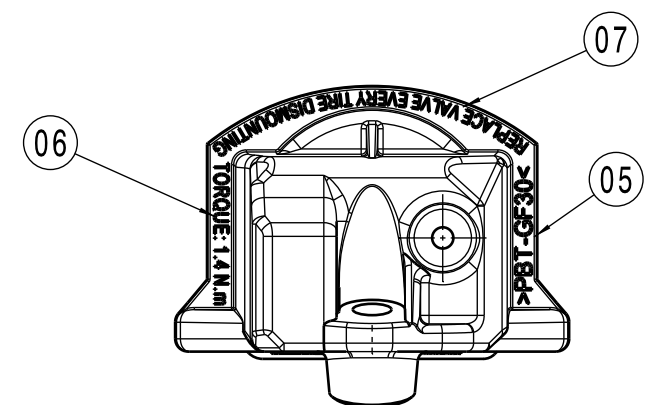
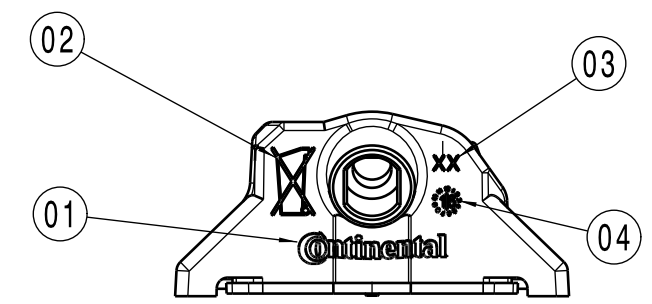


Note: Bold font for laser marks 09 to 20.



LIST OF MARKING

INDEX	DESIGNATION	MARKING	SIZE	MARKING TYPE
01	MANUFACTURER	CONTINENTAL	13.9 X 3.3	EMBOSS
02	RECYCLING	LOGO	4.4 X 6.6	EMBOSS
03	CAVITY NUMBER	XX	2.8 X 1.8	EMBOSS
04	HOUSING DATE CODE	SEE VIEW	3 X 3	EMBOSS
05	MATERIAL	>PBT-GF30<	13 X 1.7	EMBOSS
06	SCREW TIGHTENING TORQUE	TORQUE: 1.4 N.m	13.6 X 1.6	EMBOSS
07	REPLACE VALVE EVERY TIRE DISMOUNTING	SEE VIEW	30.1 X 1.3	EMBOSS
08	DATA MATRIX	DATA MATRIX CODE	5 X 5	LASER
09	FREQUENCY VALUE	433MHZ	6 X 1.5	LASER
10	DATE CODE	YYDD	4 X 1	LASER
11	CONTINENTAL PRODUCT REFERENCE	ACCORDING TO TABLE1	9 X 1	LASER
12	MICRO IDENTITY	ID:XXXXXXXX	8 X 1.1	LASER
13	GENERIC HOMOLOGATION NUMBER	MN:TIS-XX	7 X 0.9	LASER
14	HOMOLOGATION INFORMATION	SEE OWNER MANUAL	11 X 0.9	LASER
15	CUSTOMER PART NUMBER	ACCORDING TO TABLE1	12 X 1	LASER
16	PLATFORM NAME	TG-E 1.0 MV	9 X 1.2	LASER
17	MANUFACTURING COUNTRY	MADE IN CHINA	11 X 0.9	LASER
18	LOGO CE	CE	4 X 3	LASER
19	US HOMOLOGATION MARK	FCC ID:XXXXXX-XXXX (See remark)	14 X 0.9	LASER
20	GAC LOGO	SEE VIEW	7.4 X 4.6	LASER

Remark FCC ID:KR5TIS-27

TABLE 1

	GRAY CAP VARIANT	BLACK CAP VARIANT
CONTI PART NO.	A3C07062602	A3C09203600
GAC PART NO.	8060004BSV0000	8060004BSV0100

AC	-	-	Adding black cap variant with table 1		ECM NO.	10438383
DOC. VERS.	CHANGED ITEMS	ZONE IN GRID	CHANGE DESCRIPTION		DATE	DEPARTMENT
					2020-11-27	VNI CE HW AS SHA XFC ME
CREATED BY				DATE	DEPARTMENT	
Xuanwei.wang@continental-corporation.com				2020-11-27	VNI CE HW AS SHA XFC ME	
REVIEWED BY				DATE	DEPARTMENT	
wendong.wang@continental-corporation.com				2020-11-27	VNI CE HW AS SHA XFC ME	
RELEASED BY				DATE	DEPARTMENT	
yanhua.mei@continental-corporation.com				2020-11-27	VNI CE HW AS SHA XFC ME	
TITLE						
TG1D Evo Metal valve wheel unit						
Laser marking drawing						
DOCUMENT NO.	DOC. TYPE	DOC. PART	DOC. VERS.	MATERIAL NO.		
41596534	DRW	000	AC	-		
MATERIAL					CALCULATED WEIGHT	
-					- g +/- %	
SURFACE			GENERAL TOLERANCES		TOLERANCE PRINCIPLE	
-			ATE N 113 01.03		ATE N 101 01.38	
3D MODEL				DRAWING		
-				41596534 DRW 000.CATDrawing . AC. - -		
DIMENSIONS IN MILLIMETERS						
CAD SYSTEM		(C) Continental AG -			SCALE	PAGE
CATIA V5 R2016					2:1	1 of 1
THE REPRODUCTION, DISTRIBUTION AND UTILIZATION OF THIS DOCUMENT AS WELL AS THE COMMUNICATION OF ITS CONTENTS TO OTHERS WITHOUT EXPRESS AUTHORIZATION IS PROHIBITED. OFFENDERS WILL BE HELD LIABLE FOR THE PAYMENT OF DAMAGES. ALL RIGHTS RESERVED IN THE EVENT OF THE GRANT OF A PATENT, UTILITY MODEL OR DESIGN.						FORMAT
NO GUARANTEE CAN BE GIVEN IN RESPECT OF THE TRANSLATION. IN ALL CASES THE LATEST ENGLISH LANGUAGE VERSION OF THIS DOCUMENT SHALL BE TAKEN AS AUTHORITY						A2