

### Label FCC

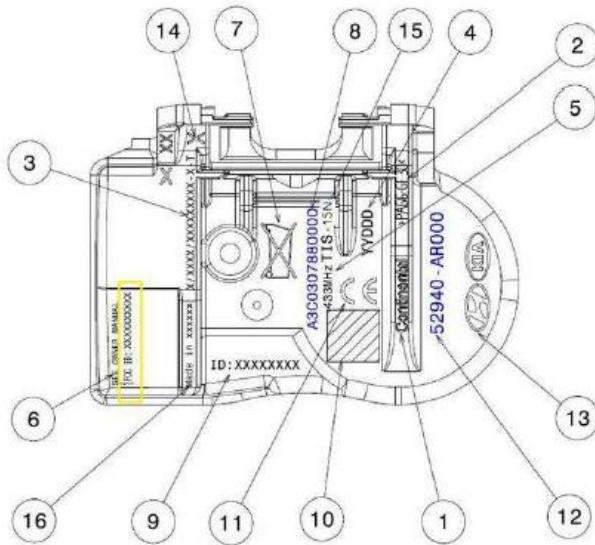
TIS-15N  
FCC ID: KR5TIS-15N

### Label IC

Model: TIS-15N  
IC:7812D-TIS15N

The label information is printed on the product under point 6

### Location



LIST OF MARKING

AREA	DESIGNATION	DIMENSION (L x l)	MARKING TYPE
01	MANUFACTURER	14 X 1.2	EMBOSS
02	MATERIAL	7.5 X 1.4	EMBOSS
03	VISUAL CODE	15 X 1.8	LASER
04	DATE CODE (Ex:13201-2013.days #)	6 X 1.2	LASER
05	FREQUENCY VALUE	6.5 X 1.6	LASER
06	SEE OWNER MANUAL	9.7 X 1.2	LASER
07	RECYCLING	4.2 X 6.5	EMBOSS
08	CONTINENTAL PRODUCT REFERENCE	12.5 X 1.5	LASER
09	MICRO IDENTITY	10 X 1.3	LASER
10	DATA MATRIX	6 x 6	LASER
11	CAN BE SELL IN C.E.	4 X 3	LASER
12	HMC-KMC PRODUCT REFERENCE	14.9 X 1.3	LASER
13	HMC-KMC LOGO	14 X 3.5	LASER
14	HOUSING CAVITY NUMBER	1.3 X 2	EMBOSS
15	REFERENCE HOMOLOGATION LABEL	6 X 2	LASER
16	COUNTRY OF ORIGIN	10 X 1.3	LASER