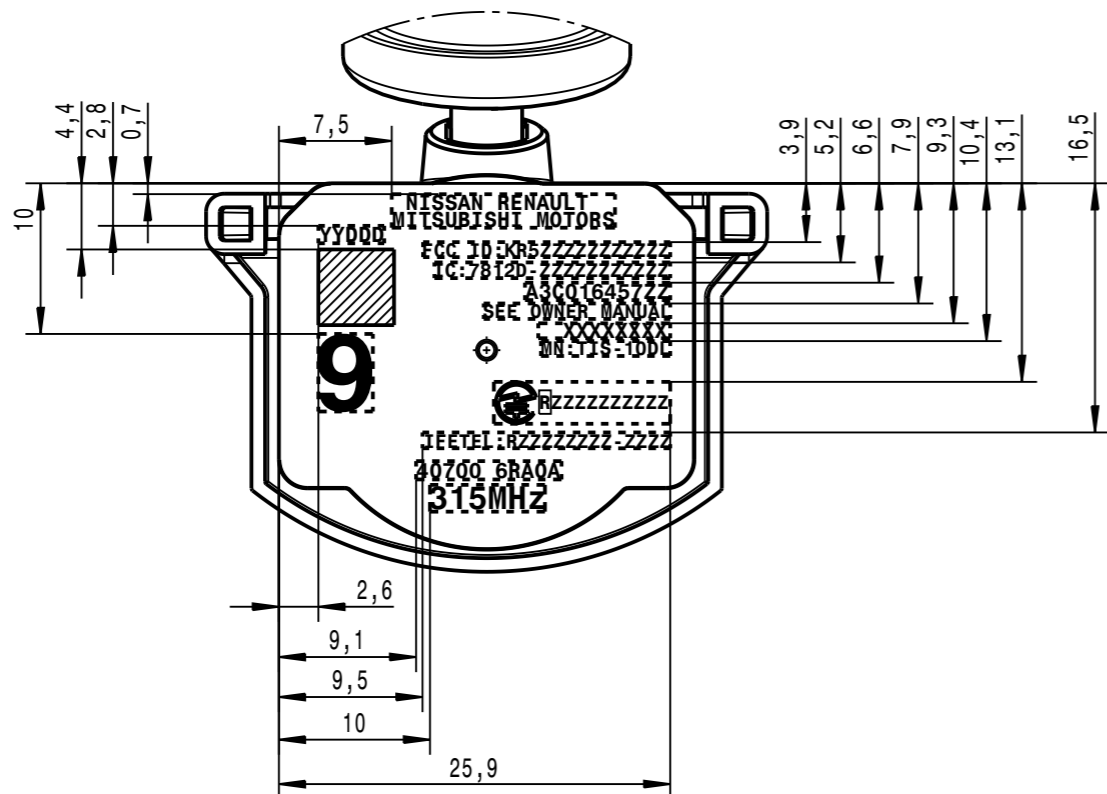


NOTE:  
 1. THE RECTANGLES DISPLAYED BY THE TWO DOT CHAIN LINES INDICATE THE SIZE OF EACH CHARACTER, NOT THE ACTUAL LINE. THEREFORE, THESE LINES SHOULD NOT BE LASER MARKED.  
 2. XXXXXXXX IS THE ID CODE OF ATIC, READ BY TESTER.  
 3. BOLD FONT MUST BE USED FOR EACH MARKING.



LIST OF MARKING			
INDEX	DESIGNATION	MARKING	DIMENSION (L X H)
01	DATA MATRIX	DATA MATRIX CODE	5 X 5
02	CUSTOMER	NISSAN RENAULT MITSUBISHI MOTORS	14.8 X 2.2
03	CUSTOMER PRODUCT REFERENCE	40700 6RA0A	9.7 X 1
04	DATE CODE	YYDDD	4.2 X 1
05	CONTINENTAL PRODUCT REFERENCE	A3C01645700	9.3 X 1
06	HOMOLOGATION INFORMATION	SEE OWNER MANUAL	12.4 X 0.9
07	ID NUMBER	XXXXXXXX	8.5 X 1.1
08	HOMOLOGATION MODEL NUMBER	MN:TIS-10DL	8.5 X 0.9
09	FREQUENCY VALUE	315MHz	7.6 X 1.5
10	NISSAN ID MARKING	9	3 X 3
11	US HOMOLOGATION MARK	FCC ID: KR5TIS-10DL	16.2 X 0.9
12	CANADIAN HOMOLOGATION MARK	IC: 7812D-TIS10DL	15.4 X 0.9
13	MEXICO HOLOMOLOGATION MARK	IFETEL: RZZZZZZZZ-ZZZZ	16.2 X 0.9
14	JAPAN HOMOLOGATION MARK	018-XXXX	6 X 8

DOC. VERS.	CHANGED ITEMS	ZONE IN GRID	CHANGE DESCRIPTION	ECM NO.	10375345
CREATED BY Arnaud.Tocabens				DATE 2018-08-10	DEPARTMENT I BS RD CFMD132 CAE
REVIEWED BY Frederic.Gaugain				DATE 2018-08-10	DEPARTMENT I BS RD CFMD131
RELEASED BY Jean-Yves.Duprat				DATE 2018-08-10	DEPARTMENT I BS RD CFMD131
TITLE wheel unit TG1D EVO NISSAN LASERMARKING 315Mhz LSE					
DOCUMENT NO.	DOC. TYPE	DOC. PART	DOC. VERS.	MATERIAL NO.	
41315713	DRW	000	AA	A3C0164570000	
MATERIAL				CALCULATED WEIGHT	
-				g +/- %	
SURFACE			GENERAL TOLERANCES	TOLERANCE PRINCIPLE	
-			ISO 2768-mK	Size ISO 14405 (E)	
3D MODEL			DRAWING		
41057041_CAD_000.CATProduct.AD.1.Accepted			41315713_DRW_000.CATDrawing.AA.12.Accepted		
DIMENSIONS IN MILLIMETERS					
CAD SYSTEM			(C) Continental AG 2018	SCALE	PAGE
-				2:1	1 of 1
THE REPRODUCTION, DISTRIBUTION AND UTILIZATION OF THIS DOCUMENT AS WELL AS THE COMMUNICATION OF ITS CONTENTS TO OTHERS WITHOUT EXPRESS AUTHORIZATION IS PROHIBITED. OFFENDERS WILL BE HELD LIABLE FOR THE PAYMENT OF DAMAGES. ALL RIGHTS RESERVED IN THE EVENT OF THE GRANT OF A PATENT, UTILITY MODEL OR DESIGN.					FORMAT
NO GUARANTEE CAN BE GIVEN IN RESPECT OF THE TRANSLATION. IN ALL CASES THE LATEST ENGLISH LANGUAGE VERSION OF THIS DOCUMENT SHALL BE TAKEN AS AUTHORITATIVE					A3