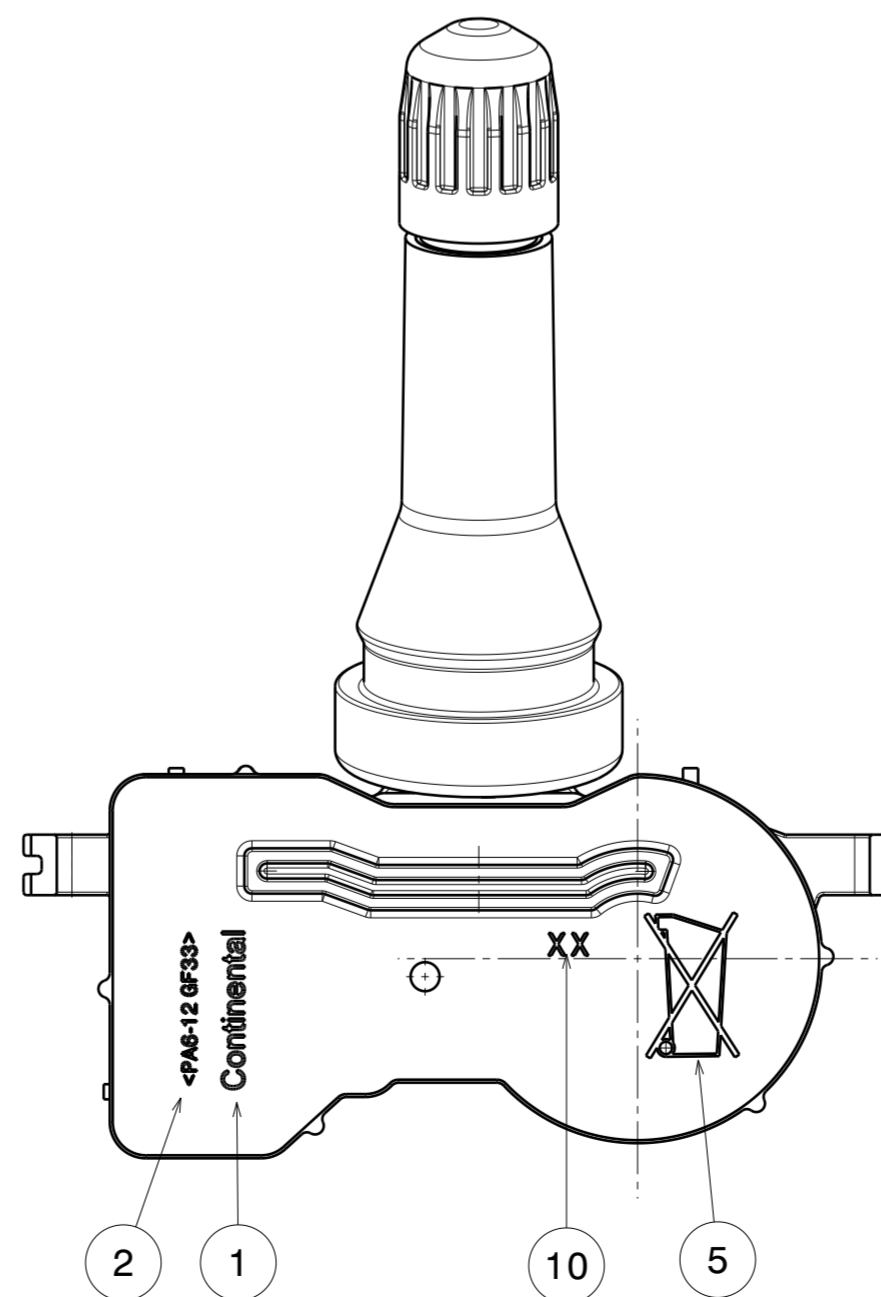
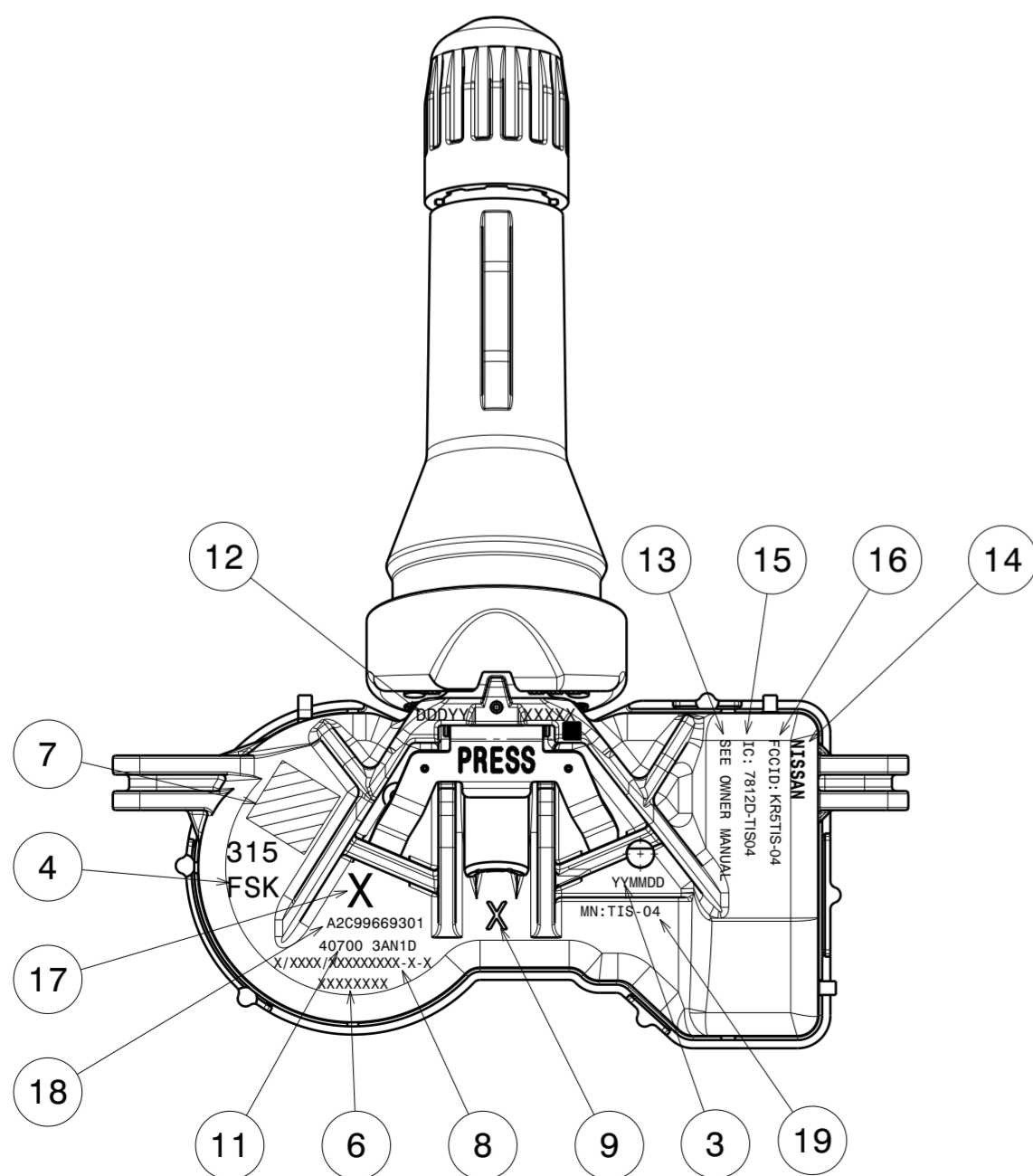


INDEX	DESIGNATION	MARKING		SIZE (Lx1)	MARKING TYPE
		GDL LOCATION	TLS LOCATION		
1	SUPPLIER NAME	CONTINENTAL		11 x 1.5	ENGRAVE
2	MATERIAL	<PA6-12 GF33>		10.5 x 1.3	ENGRAVE
3	DATE CODE	YYMMDD	YYDDD	5 x 1.2	LASER
4	FREQUENCY VALUE	315 FSK		5 x 5	LASER
5	RECYCLING	LOGO		6.2 x 9.5	ENGRAVE
6	ID NUMBER	XXXXXXXX		7 x 1.3	LASER
7	DATA MATRIX	DATA MATRIX CODE		5 x 5	LASER
8	VISUAL CODE	XXXX/XXXXXXXXXX-X-G	X/XXXX/XXXXXXXXXX-X-T	13 x 1.3	LASER
9	HOUSING CAVITY NUMBER	X		1.1 X 1.5	EMBOSS
10	COVER CAVITY NUMBER	XX		2 x 2	EMBOSS
11	CUSTOMER PART NUMBER	40700 3AN1D		6 x 1.5	LASER
12	HOUSING SUPPLIER AREA	DDYY	XXXXX ■	11 X 1.4	LASER
13	HOMOLOGATION INFORMATION	SEE OWNER MANUAL		12 X 2.5	LASER
14	CUSTOMER MARKING	NISSAN		13 X 2	LASER
15	CANADIAN HOMOLOGATION LABEL	IC: 7812D-TIS04		13 X 2.5	LASER
16	US HOMOLOGATION LABEL	FCC ID: KR5TIS-04		15 X 2.5	LASER
17	NISSAN ID MARKING	X		2 X 3	LASER
18	CONTINENTAL PART NUMBER	A2C99669301		6 X 1.5	LASER
19	HOMOLOGATION MODEL NUMBER	MN: TIS-04		7 x 1.5	LASER

SEE NOTE



NOTE:

-1- VISUAL CODE TRANSLATION:
 TLS: PRODUCT MINOR INDEX / INDEX CODE / SERIAL NUMBER - MANUFACTURING LINE - PLANT
 GDL: MLFB_HARDWARE_SOFTWARE / LASER Y JULIAN DAY SERIAL NUMBER - LINE - PLANT

Document version	Previous version	Changed items	Change description (including number)
AC	AB		ECM 10298653 item 19 added
Surface	DL XXX / XXX		
Material	XXX		
Weight	calculated	XXX	g ± -% weighed XXX g ± -%
Dimensions in millimetres	3D-Model	XXX	.XXX .XXX .XXX Scale
	Drawing	XXX	.XXX .XXX .XXX 2:1
Designed by	pascal.petitjean@continental-corporation.com	Date	13/01/2015
Released by	gerald.alaverdov@continental-corporation.com	Date	13/01/2015
		Designation	TG1D LL ATIC 162 315 MHz FSK laser marking for NISSAN
		Document key	10334324
Location		Copyright (C) Continental AG 2007	