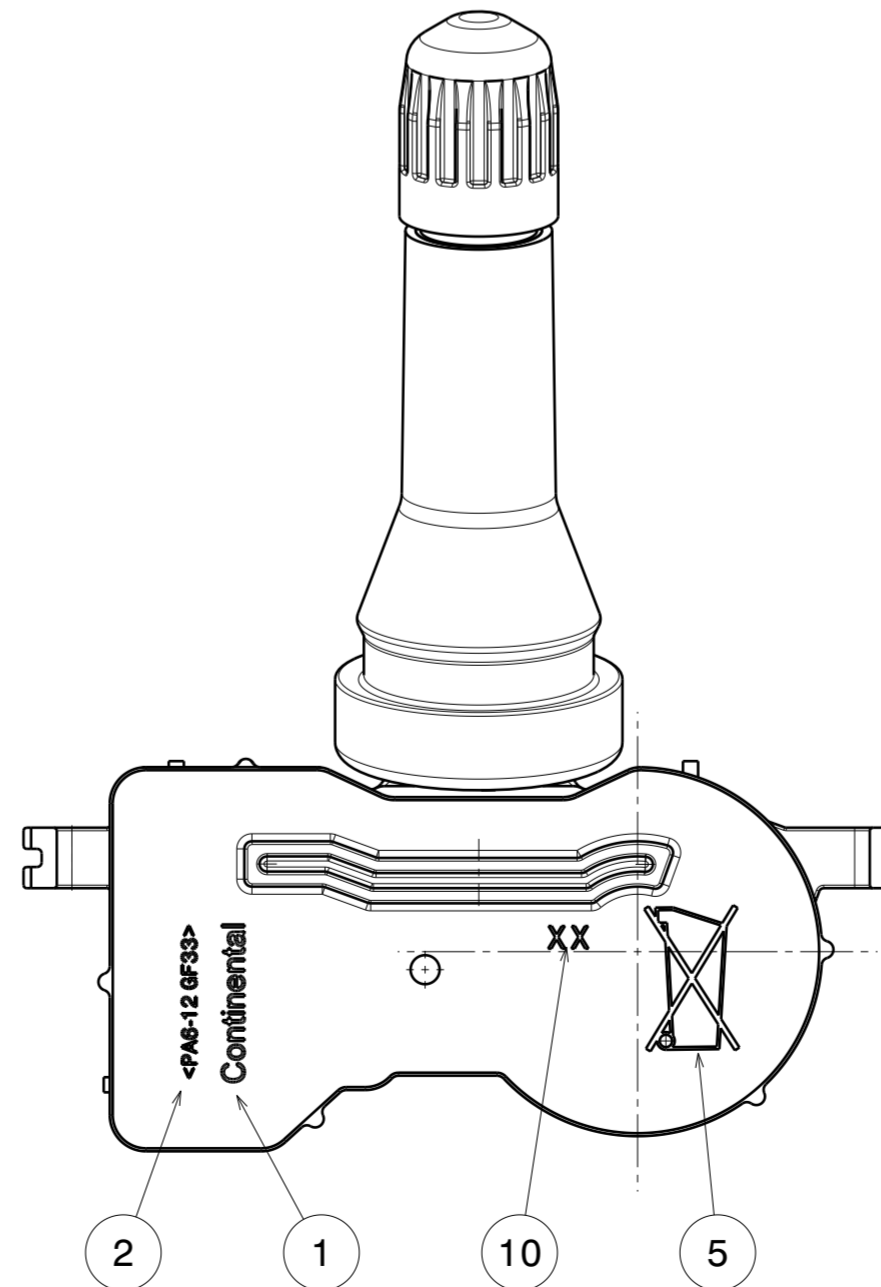
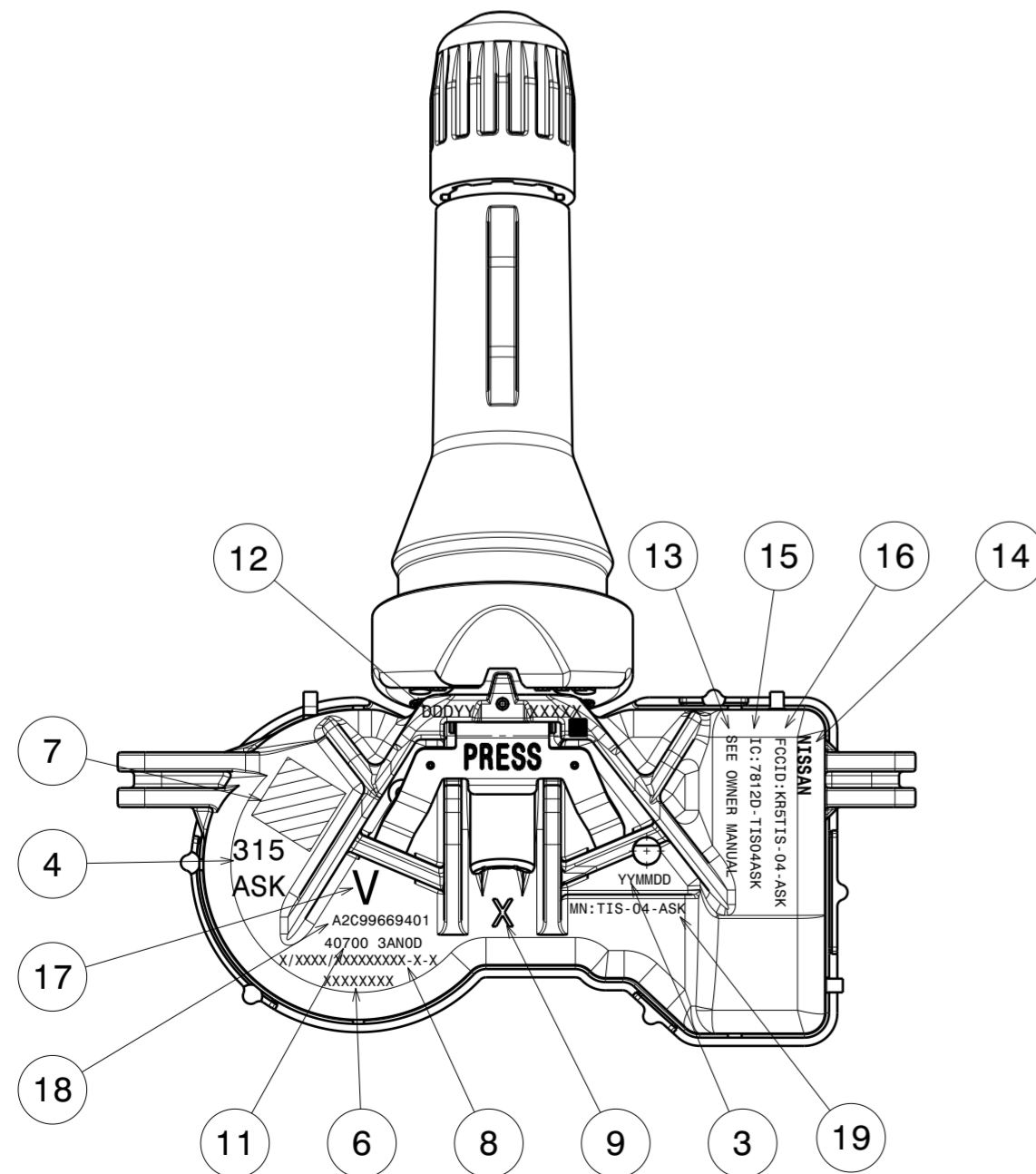


INDEX	DESIGNATION	MARKING		SIZE (Lx1)	MARKING TYPE
		GDL LOCATION	TLS LOCATION		
1	SUPPLIER NAME	CONTINENTAL		11 x 1.5	ENGRAVE
2	MATERIAL	<PA6-12 GF33>		10.5 x 1.3	ENGRAVE
3	DATE CODE	YYMMDD	YYDDD	5 x 1.2	LASER
4	FREQUENCY VALUE	315 ASK		5 x 5	LASER
5	RECYCLING	LOGO		6.2 x 9.5	ENGRAVE
6	ID NUMBER	XXXXXXXX		7 x 1.3	LASER
7	DATA MATRIX	DATA MATRIX CODE		5 x 5	LASER
8	VISUAL CODE	XXXX/XXXXXXXXXX-X-G	X/XXXX/XXXXXXXXXX-X-T	13 x 1.3	LASER
9	HOUSING CAVITY NUMBER	X		1.1 X 1.5	EMBOSS
10	COVER CAVITY NUMBER	XX		2 x 2	EMBOSS
11	CUSTOMER PART NUMBER	40700 3ANOD		6 x 1.5	LASER
12	HOUSING SUPPLIER AREA	DDYY	XXXX ■	11 X 1.4	LASER
13	HOMOLOGATION INFORMATION	SEE OWNER MANUAL		12 X 2.5	LASER
14	CUSTOMER MARKING	NISSAN		13 X 2	LASER
15	CANADIAN HOMOLOGATION LABEL	IC: 7812D-TIS04ASK		13 X 2.5	LASER
16	US HOMOLOGATION LABEL	FCC ID: KR5TIS-04-ASK		15 X 2.5	LASER
17	NISSAN ID MARKING	V		2 X 3	LASER
18	CONTINENTAL PART NUMBER	A2C99669401		6 X 1.5	LASER
19	HOMOLOGATION MODEL NUMBER	MN: TIS-04-ASK		8 x 1.5	LASER

SEE NOTE →



NOTE:
 -1- VISUAL CODE TRANSLATION:
 TLS: PRODUCT MINOR INDEX / INDEX CODE / SERIAL NUMBER - MANUFACTURING LINE - PLANT
 GDL: MLFB_HARDWARE_SOFTWARE / LASER Y JULIAN DAY SERIAL NUMBER - LINE - PLANT

Document version	Previous version	Changed items	Change description (including number)
AC	AB		ECM 10298653 item 15 & 16 updated, item 19 added
Surface	DL XXX / XXX		
Material	XXX		
Weight	calculated	XXX	g ± -% weighed XXX g ± -%
Dimensions in millimetres	3D-Model	XXX	.XXX .XXX .XXX
	Drawing	XXX	.XXX .XXX
Designed by	pascal.petitjean@continental-corporation.com	Date	13/01/2016
Released by	jean-luc.reynes@continental-corporation.com	Date	13/01/2016
	Designation		Department
	TG1D LL ATIC 162 315 MHz ASK Laser marking for NISSAN		I BS RD TIS I BS RD TIS
Document key		Pages	
10334325		1 of 1	
Location			Copyright (C) Continental AG 2007