

Federal Communications Commission
 Authorization and Evaluation Division
 7435 Oakland Mills Road
 Columbia, MD 21046

Date: 2022-10-19

SUBJECT: FCC Class II Permissive change for FCC ID: **KR5GEN1**

To Whom It May Concern:

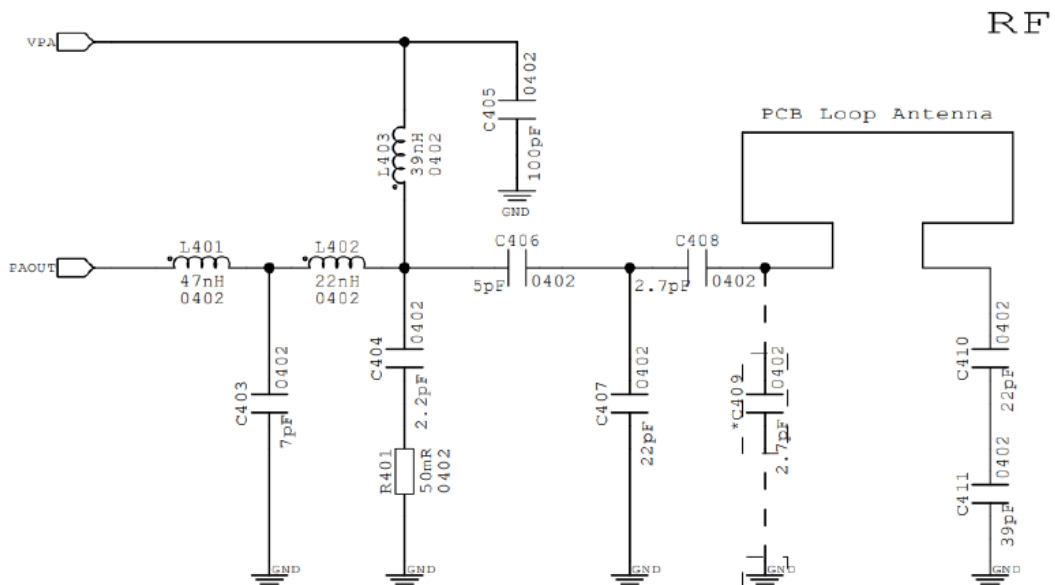
We, the undersigned, would like to request a Class II Permissive Change for the FCC ID: **KR5GEN1**, which was originally granted on **11/30/2021**.

Please be informed that our major change in equipment under this application are as follows:

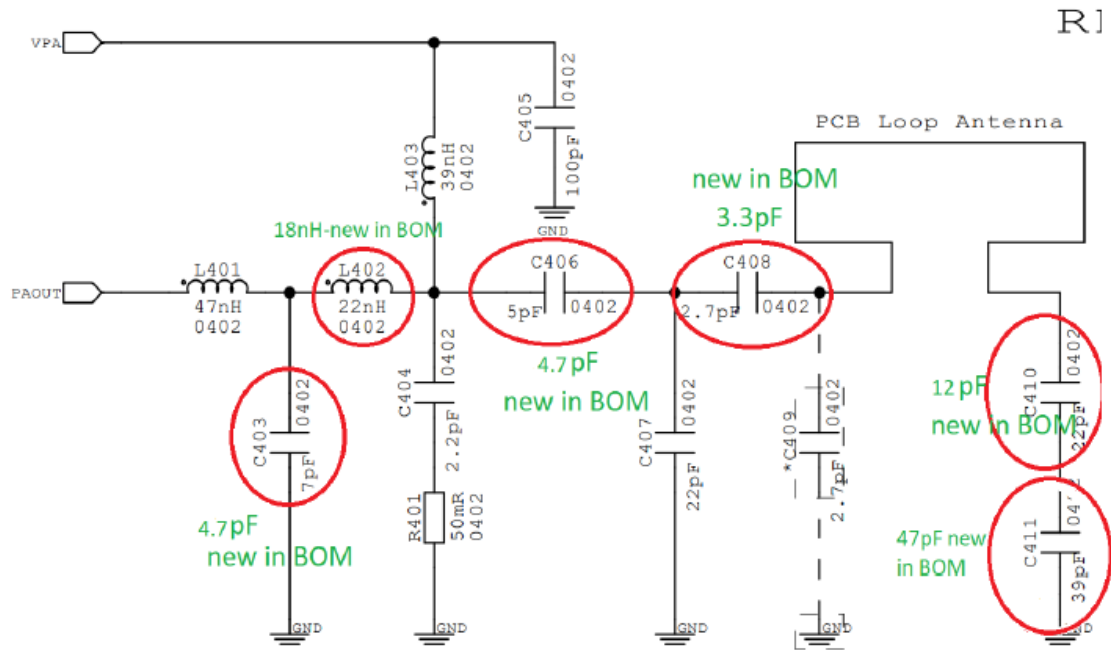
The new version of our product Radio Frequency Transmitter SBRT, model number GEN1 uses the same block diagram, layout..etc and the only differences are the slight change of new matching components.

Please find below further explanation:

Current version:



New version:



If you have any questions regarding this application, please feel free to contact me.

Sincerely,

T. Hand



Company Name : Continental Automotive Technologies GmbH
Address : Siemensstrasse Regensburg, 93055 Germany
Name and Job Title. : Thomas Heselberger / Head of Homologation
E-mail : Thomas.Heselberger@continental-corporation.com
Tel. : 49-941-790-3554