



FCC-ID:KR5FBD5S

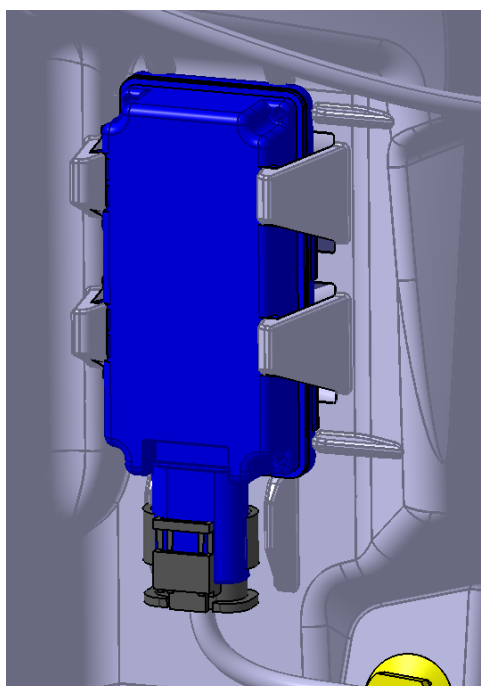
Continental Automotive GmbH

IC:7812D-FBD5S

## Installation Manual for FBD5s

### 1. How to assembly / mount the module in vehicle

Module FBD5s will be fixed with clips in the vehicle chassis.





Continental Automotive GmbH

FCC-ID:KR5FBD5S

IC:7812D-FBD5S

## 2. Statement

a) User Information gem. FCC 15.21:

*Changes or modifications not expressly approved by the party responsible for compliance could void the user's authority to operate the equipment.*

b) Part 15 Statement gem. FCC 15.19 falls das Statement nicht auf dem Gerät steht, weil dieses kleiner als eine Handfläche ist)

*This device complies with Part 15 of the FCC Rules. Operation is subject to the following two conditions:*

*(1) This device may not cause interference.*

*(2) This device must accept any interference, including interference that may cause undesired operation of the device.*

c) Statement gem.RSS GEN Issue 5::

*This device contains licence-exempt transmitter(s)/receiver(s) that comply with Innovation, Science and Economic Development Canada's licence-exempt RSS(s). Operation is subject to the following two conditions:*

*(1) This device may not cause interference*

*(2) This device must accept any interference, including interference that may cause undesired operation of the device..*

*Cet appareil contient des émetteurs / récepteurs exemptés de licence conformes aux RSS (RSS) d'Innovation, Sciences et Développement économique Canada. Le fonctionnement est soumis aux deux conditions suivantes:(1) Cet appareil ne doit pas causer d'interférences(2) Cet appareil doit accepter toutes les interférences, y compris celles susceptibles de provoquer un fonctionnement indésirable de l'appareil.*