

# Product Label Marking Specification

## DHS\_Audi\_D5\_NFC

Die in diesem Dokument enthaltenen Informationen sind lediglich eine technische Beschreibung des Produktes. Sie stellt keine Beschaffenheits- oder Haltbarkeitsgarantie dar.  
 The information contained in this document is merely a technical description of the product. This information is not meant or intended to be a special guarantee for a particular quality or a particular durability.

Maturity:	Draft
Author(s):	Stéphan Baudru (+33-5-6119-7402)
Version:	1.2
Release Authority:	See E-Sign List
Distribution:	Team
Security Classification:	For internal Use Only
Variants:	A2C 114 793 (Left), A2C 114 797 (Right)
Document No:	xxxxxx
ECR No:	

eSign N°	Name:	Dept.:	Phone:
1 <sup>st</sup> Check:	GERARDIERE, Olivier	<SE>	+33-5-6119-7198
2 <sup>nd</sup> Check:	BARDALOU, Cindy	<QE>	+33-5-6223-1454
3 <sup>rd</sup> Check:	MOSER, Andreas	<PM TLS>	+33-5-6223-1381
4 <sup>th</sup> Check:	VAYSSE, Bertrand	<R&D Manager>	+33-5-6119-7292
5 <sup>th</sup> Check:			
6 <sup>th</sup> Check:			
7 <sup>th</sup> Check:			

Transmittal, reproduction, dissemination and/or editing of this document as well as utilization of its contents and communication thereof to others without express authorization are prohibited. Offenders will be held liable for payment of damages. All rights created by patent grant or registration of a utility model or design patent are reserved.

**History:**

Ver. x.y	Date yyyy-mm-dd	Maturity draft/ reviewed/ released	Author Name/ Department	Description
1.0	2017-03-14	Draft	S.Baudru	Document Creation
1.1	2017-06-12	Draft	S.Baudru	Update with pictures, IC ID.
1.2	2017-06-20	Draft	S.Baudru	Update with brand label : DHS NFC

Items in Yellow : changes from previous version

Items in Blue : To be defined or To be Confirmed

Transmittal, reproduction, dissemination and/or editing of this document as well as utilization of its contents and communication thereof to others without express authorization are prohibited. Offenders will be held liable for payment of damages. All rights created by patent grant or registration of a utility model or design patent are reserved.

**Table of Contents:**

1. **General** ..... **4**

2. **Label definition** ..... **¡Error! Marcador no definido.**

    2.1 **Area definition** ..... **¡Error! Marcador no definido.**

Transmittal, reproduction, dissemination and/or editing of this document as well as utilization of its contents and communication thereof to others without express authorization are prohibited. Offenders will be held liable for payment of damages. All rights created by patent grant or registration of a utility model or design patent are reserved.

<b>For internal use only</b>		<b>Page 3 of 7</b>
© Continental AG		
Document-no: xxxx	Version: 1.2	CAP0300053-F48 ver 1.0

## 1. General

This is the main document defining the label marking for NFC approval for AUDI D5 NFC product

Product name	Variant	Continental Part number	Audi Part number
DHS Audi D5 NFC - L	NFC Left	A2C 114 793	4N1.927.753
DHS Audi D5 NFC - R	NFC Right	A2C 114 797	4N1.927.754

## 2. Product overview

AUDI D5 NF is a door handle sensor with NFC feature to detect smarthopne and/or smartcard presence in a range of 30 mm from the surface of the door handle.

Documentati on	Continental reference	Remar k
Customer drawing	4N1_927_753__DRW_TZ__002__DOOR_HANDLE_SENSOR_2016_11_18_____.pdf	
Housing sensor	40930476_Housing_Left_20170111.pdf	

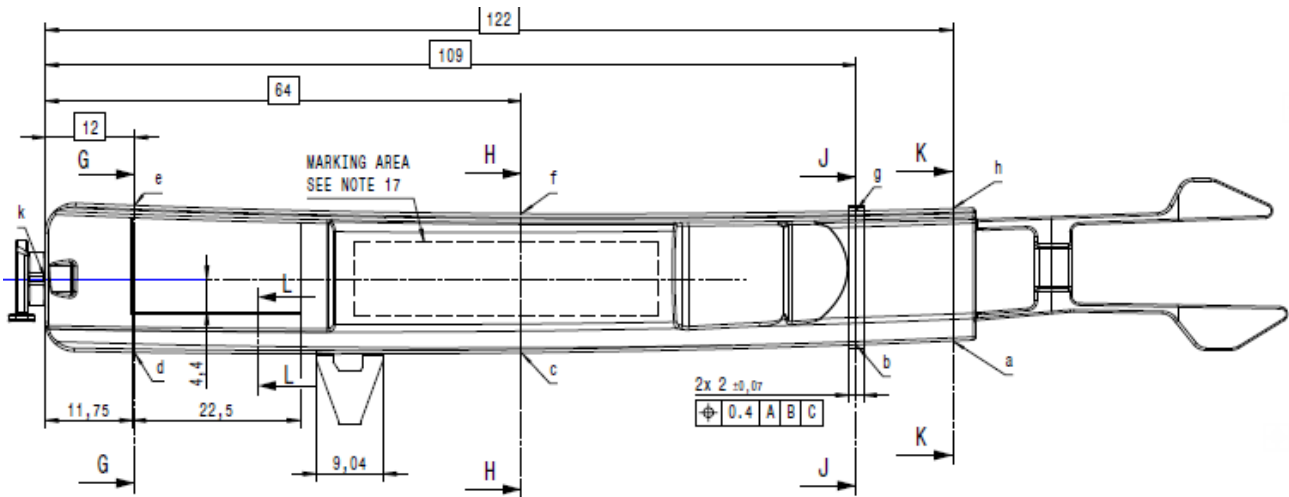
## 3. Continental End of Line Marking specification

### 3.1 Marking specification

In general text objects and logos (e. g. customer logos) should be readable by human and as appropriate by a camera system. At least customer requirements **shall** be fulfilled. The required free area for text and logos can be calculated on the basis of following table:

Description	Lasermarking	Labeling
Min. text height [mm]	1.5	1.5
Min. logo size [mm]	2	2
Min. distance between characters [mm]	0.1	0.3
Min. distance between logos [mm]	0.1	0.3
Free surrounding area of complete layout [mm]	1	3

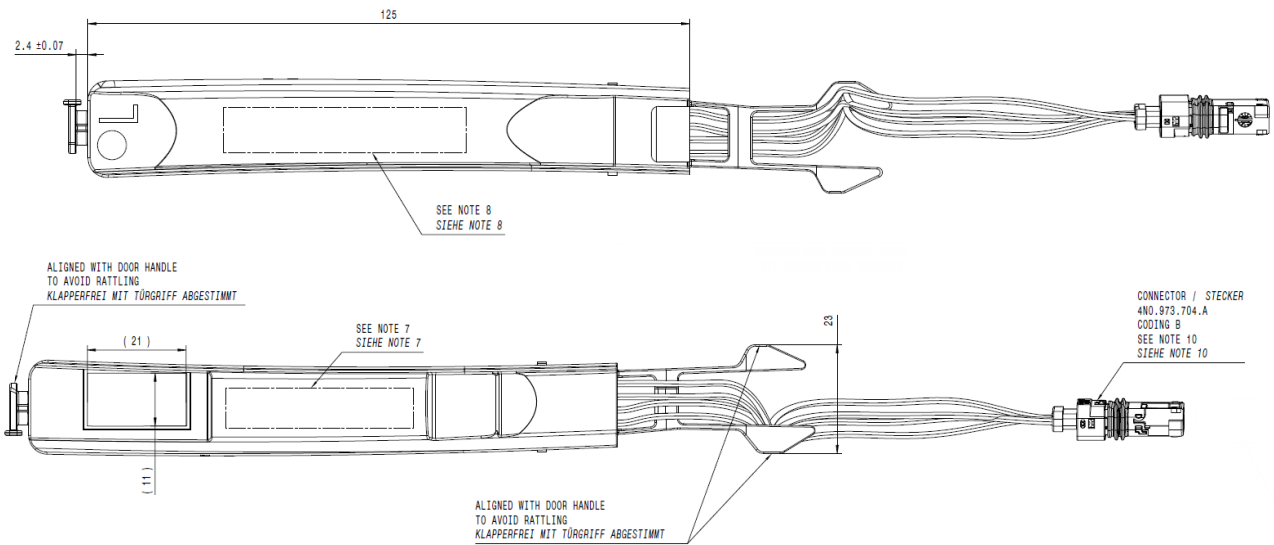
**3.2 extract from Housing sensor drawing:**



**17- IN MOLD MARKING:**

- AUDI PART NUMBER: 4N0.927.753, RAISED 0.2 MAX., PART NUMBER WITH SPACE FOR ADDITIONAL 2 DIGITS SHALL BE ON MOVABLE PART (FOR EXAMPLE THE PN COULD BECOME: 4N1.927.753.A).
- CONTINENTAL LOGO ACCORDING TO TST N 001 55.50-A-2-A.
- CONTINENTAL MANUFACTURER CODE: SM6 (3 DIGITS), HEIGHT 2 MAX, RAISED 0.2 MAX.
- AUDI LOGO ACCORDING TO VW 10513 - D6, RAISED 0.2 MAX.
- "MADE IN FRANCE", HEIGHT 1.6 MAX, RAISED 0.2 MAX.
- CAVITY MOULD NUMBER, HEIGHT 1.6 MAX, RAISED 0.2 MAX.
- TOOL EVOLUTION LEVEL TRACKING : FOR EACH COMPONENT PRESENTATION THE SUPPLIER WILL ADD A SLOT ON THE PART (NO SLOT FOR THE FIRST PRESENTATION).

**3.3 Extract from customer drawing :**



Transmittal, reproduction, dissemination and/or editing of this document as well as utilization of its contents and communication thereof to others without express authorization are prohibited. Offenders will be held liable for payment of damages. All rights created by patent grant or registration of a utility model or design patent are reserved.

### 3.3.1 Homologation label example



## 4. NFC radio tests homologation

This label applies to AUDI D5 NFC 13.56MHz



The DHS module shall pass the NFC Radio Tests Homologation for the following countries. This includes an initial Homologation at PV time, and periodic re-Homologation when applicable.

Country	Applicable norm
Austria	CE
Belgium	CE
Bulgaria	CE
Croatia	CE
Czech Republic	CE
Danmark	CE
Estonia	CE
Finland	CE
France	CE
Germany	CE
Great Britain / North Ireland	CE
Greece	CE
Hungary	CE
Ireland	CE
Italy (San Marino, Vatican)	CE
Latvia	CE
Lithuania	CE
Luxemburg	CE
Malta	CE
Netherlands	CE
Norway	CE
Poland	CE
Portugal	CE
Romania	CE
Slovenia	CE
Slovak Republic	CE
Spain (Andorra, Balearic Islans, Canay Islands)	CE
Sweden	CE
Switzerland	CE
Turkey	CE

Transmittal, reproduction, dissemination and/or editing of this document as well as utilization of its contents and communication thereof to others without express authorization are prohibited. Offenders will be held liable for payment of damages. All rights created by patent grant or registration of a utility model or design patent are reserved.

USA Canada	FCC IC
---------------	-----------

### 5. Label definition

Country	ID extracted from original homologation file	Font	Zone size (Lxh in mm)
Europe	 	Official mark	6.5 X 4.5
USA	"FCC ID: KR5DHSNFC": USA ID (Homologation)	Arial	15 x1.6
IC	"7812DDHSNFC" : CANADA ID (Homologation)	Arial	15 x 1.6
Product Label	"DHS NFC"	Arial	7x1.6

Those 3 marking shall be present on the sensor.

Transmittal, reproduction, dissemination and/or editing of this document as well as utilization of its contents and communication thereof to others without express authorization are prohibited. Offenders will be held liable for payment of damages. All rights created by patent grant or registration of a utility model or design patent are reserved.