

# **Functional Description / User Manual**

**of**

## **SIEMENS VDO**

### **Remote Control System**

#### **5WY8462**

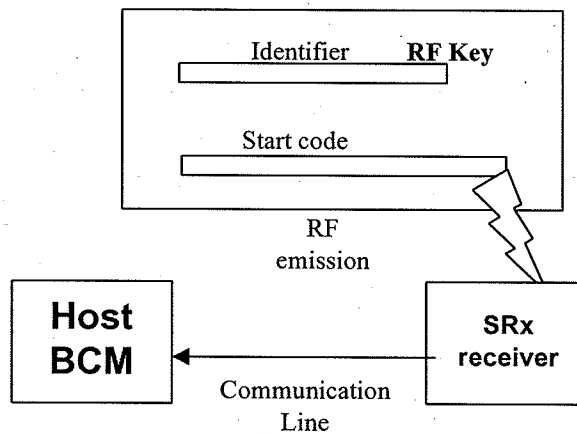
## General description of the RF transmitter

The RF (radio frequency) remote control system consists of a RF transmitter and a RF receiver mounted within the control unit.

The described system is a radio-frequency remote control for central doors locking / unlocking, trunk release and Panic activity of an automotive vehicle.

### System Operation:

Remote keyless entry function is provided by the RF system of the Rx and the RKE transmitter. The operation of these functions are as follows:



### Remote keyless Entry:

The RKE transmitter operate at 315 MHz for China & Taiwan. ASK modulated data signal is transmitted to the Rx which receives the encrypted RF signal. Then, it send the data of the signal to corresponding the host Body control module through the communication line. This transmitter is used to transmit an information for locking or unlocking of the vehicle by an unidirectional RF transmission line for normal remote operation by pressing a button.

### In general the following functions are provided:

- Lock the car
- Unlock the car
- Unlock the trunk of the car
- Panic

### Typical usage pattern RKE transmitter

30 lock / unlock operations in 24 hours with a typical transmission duration of 270 milliseconds → 1.25 lock / unlock operations / hour

Transmitter ON 0.3375 seconds / hour

Transmitter OFF 3,599.6625 seconds / hour

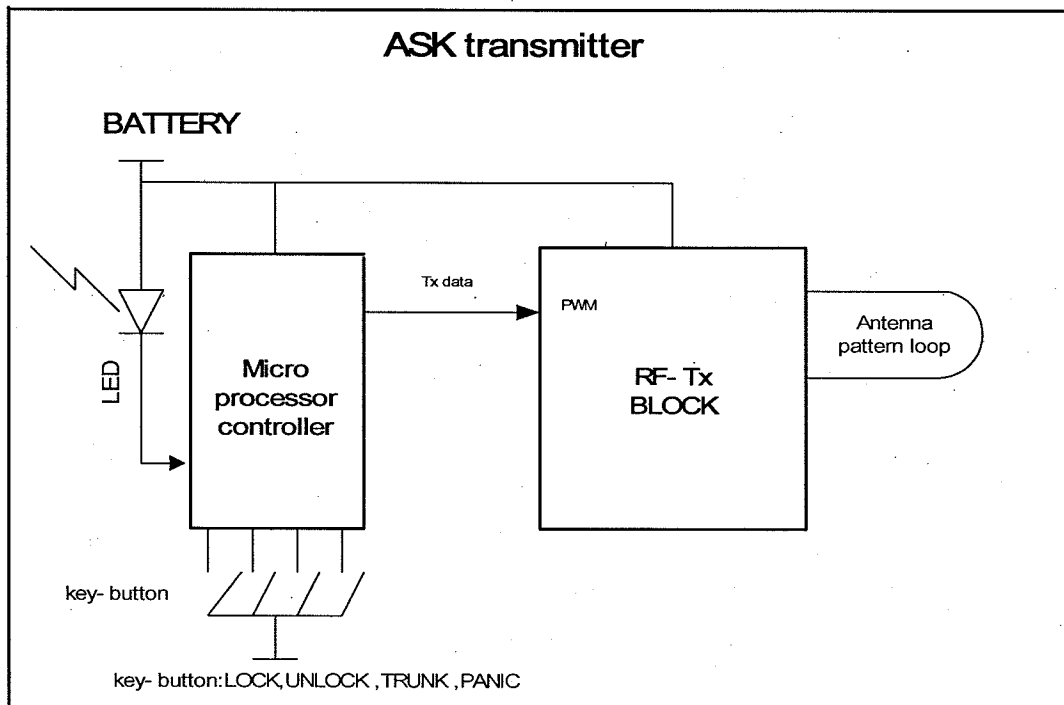
Duty Cycle:  $T_{ON} / T_{(ON+OFF)} \times 100\% = 0.3375 / 3,600 \times 100\% = 0,009\%$

### Variants:

Model	Description
5WY8462	Transmitter 3button ASK 315MHz

### Block diagram

#### Block diagram RKE transmitter:



**Technical data transmitter**

Carrier frequency:	315.00MHz± 150kHz
Output power :	< 75.6dBuV/m @3m
Modulation:	ASK
Method of frequency generation:	SAW Resonator
Number of channels:	1
Supply voltage:	3 V
Battery type:	lithium, CR 2025

**NOTE:**

Changes or modifications not expressly approved by the manufacturer could void the user's authority to operate the equipment.

**Label design**

Siemens VDO  
5WY8462

**LABEL DESIGN USA**

Siemens VDO  
5WY8462  
FCC ID: KR55WY8462

**Entry Owners Manual USA:****NOTE**

This device complies with part 15 of the FCC Rules and RSS-210. Operation is subject to the following two conditions: (1) This device may not cause harmful interference, and (2) this device must accept interference received, including interference that may cause undesired operation.

**CAUTION**

Changes or modifications not expressly approved by the manufacturer could avoid the user's authority to operate the equipment.