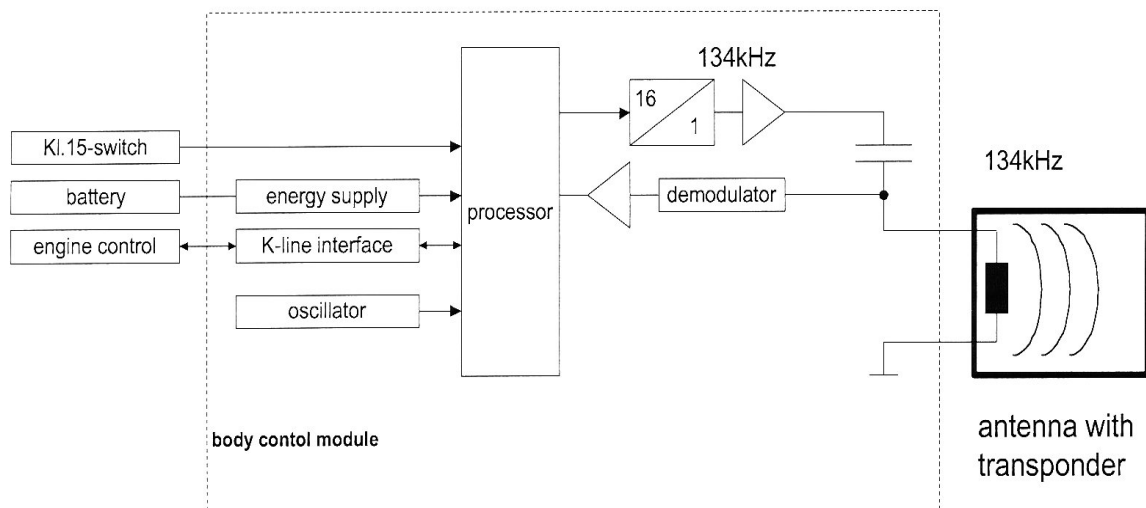


Block Diagram : Key 5WY8406

Immobiliser Block Diagram:



Oscillator frequencies
generated or used
in the device:

Q100 : 16 MHz