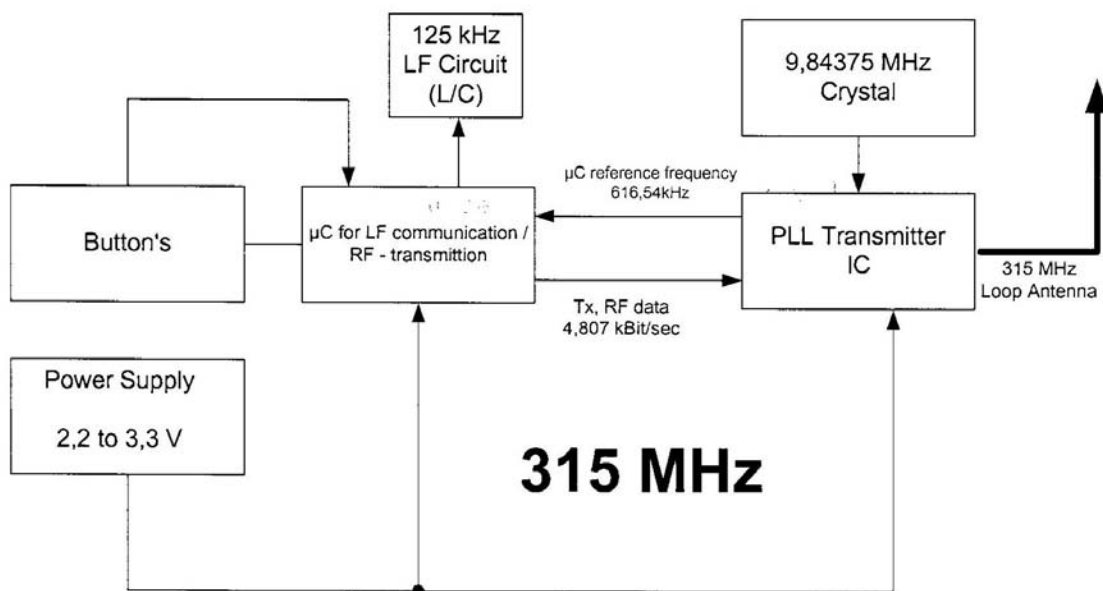


Block Diagram : Key: 5WK4 9127



Oscillator frequencies  
generated or used  
in the device: :

9.84375MHz / 315 MHz