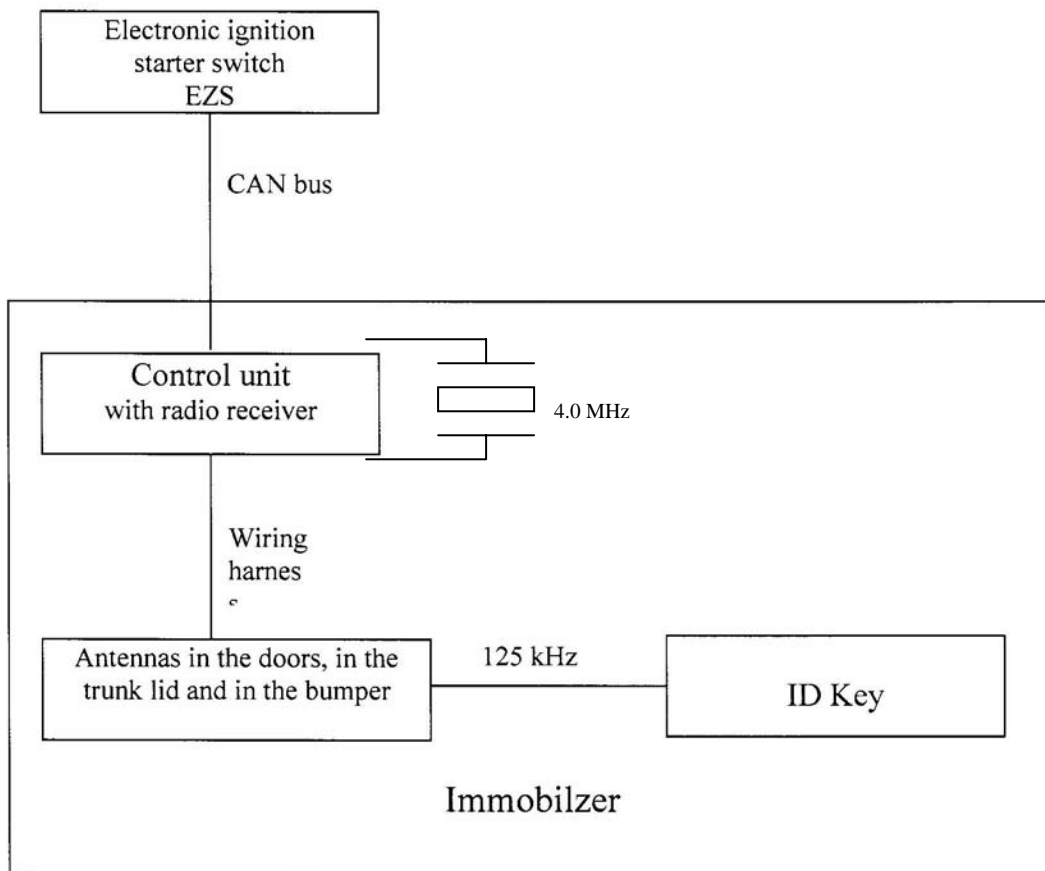


Block Diagram : **5WK48089**

Block diagram

The immobilizer system consists of a control unit, the inductive antennas and the key. To activate the system, sensors or push-buttons are located in the doors, in the trunk lid and in the interior. Interaction with the vehicle is effected via the radio receiver in the control module, which receives the messages from the key and transmits them via the vehicle's CAN bus to the EZS.



Oscillator frequencies generated or used in the device: : 125 kHz / 4.0000 MHz