

**FCC ID: KR55WK47594**

Issue date: 2004-04-16



**Test Report**  
**acc. to the relevant standard:**  
**47 CFR Part 15 C –Intentional Radiators**  
**Measurement Procedure:**  
**ANSI C63.4 - 1992**  
**relating to**  
**Siemens VDO Automotive AG**  
**5WK4 7594**

**Measurement of Radio- Noise Emissions**  
**from Low Voltage Electrical and Electronic Equipment**  
**Technical characteristics and test methods for radio equipment**  
**in the frequency range 9 kHz to 40 GHz**

**FCC ID: KR55WK47594**

Issue date: 2004-04-16

<b>Manufacturer's details</b>	
Manufacturer	<b>Siemens VDO Automotive AG</b>
Manufacturer's grantee code	KR5
Manufacturer's address	<b>Siemens VDO Automotive AG</b>
	Siemensstrasse 12
	D-93005 Regensburg
	Germany
	Phone: +49 0941 790 6699
	Fax: +49 0941 790 136699
	E-mail: <a href="mailto:dagmar.kolar@siemens.com">dagmar.kolar@siemens.com</a>
Relevant standard used	47 CFR Part 15C - Intentional Radiators
	ANSI C63.4-1992

<b>Test report prepared by</b>	
Technical engineer	Ralf Trepper
	m.dudde hochfrequenz-technik (laboratory)
	Rottland 5a
	D-51429 Bergisch Gladbach
	Germany
	Phone: +49 2207 96890
	Fax : +49 2207 968920
	E-mail: <a href="mailto:m.duddelabor@t-online.de">m.duddelabor@t-online.de</a>

<b>Equipment Under Test (EUT)</b>	
Equipment category	Inductive system
Trade name	Siemens VDO
Type designation	5WK4 7594
Serial no.	none
Variants	none


**FCC ID: KR55WK47594**


Issue date: 2004-04-16

**0 Test result**

CFR Section	Report Chapter	Requirements Headline	Test result		
			OK	fail	n.a.
15.203	10.1	Antenna Requirement	pass	<del>fail</del>	<del>n.a.</del>
15.109(a) 15.209	10.2	Radiated spurious emissions	pass	<del>fail</del>	<del>n.a.</del>
15.107(a)	10.3	Conducted emissions	pass	<del>fail</del>	n.a.

<b>Test requirements kept</b>	<b>yes <del>no</del></b>
-------------------------------	--------------------------

Signature test personnel .....  
  
 Ralf Trepper

Signature of the company official .....  
  
 Manfred Dudde

**FCC ID: KR55WK47594**

Issue date: 2004-04-16

<b>List of contents</b>	<b>Page</b>
0 <b>Test result</b> .....	3
1 <b>Testing laboratory</b> .....	5
2 <b>Introduction</b> .....	5
3 <b>Product</b> .....	6
4 <b>Test schedule</b> .....	6
5 <b>Product and measurement documentation</b> .....	7
6 <b>Observations and comments</b> .....	7
7 <b>Summary</b> .....	7
8 <b>Conclusions</b> .....	8
9 <b>Operation description</b> .....	9
10.1 <b>Antenna Requirement</b> .....	10
10.1.1 Regulation.....	10
10.1.2 Result.....	10
10.2 <b>Radiated emission</b> .....	11
10.2.1 Regulation.....	11
10.2.2 Test equipment.....	12
10.2.3 Test procedures.....	13
10.2.4 Calculation of field strength Section 15.209 below 30 MHz.....	14
10.2.5 Calculation of field strength Section 15.209 above 30 MHz.....	14
10.2.6 Calculation of the field strength.....	15
10.2.7 Calculation of Average Correction Factor.....	15
10.3 <b>Conducted emissions</b> .....	19
10.3.1 Regulation.....	19
10.3.2 Test equipment.....	19
10.3.3 Test procedures.....	19
10.3.4 Test results.....	20
11 <b>Additional information to this test report</b> .....	21

**FCC ID: KR55WK47594**

Issue date: 2004-04-16

## 1 Testing laboratory

Company name: m.dudde high frequency technology  
Street: Rottland 5a  
City: 51429 Bergisch Gladbach  
Country: Germany

Laboratory:

FCC Registration Number: 699717

This site has been fully described in a report submitted to the FCC and was  
accepted with letter dated

Registration Number .699717

Phone: +49-2207-9689-0  
Fax: +49-2207-9689-20  
E-mail: manfred.dudde@t-online.de  
Web: http://www.dudde.com

## 2 Introduction

The test report may only be reproduced or published in full. Reproduction or publication of extracts from the report requires the prior written approval of m. dudde hochfrequenz - technik.

This report contains the result of tests performed by m. dudde hochfrequenz - technik for the purpose of a type approval. The order for carrying out these tests had been placed by:

### Manufacturer

Company name : Siemens VDO Automotive AG

Address : Siemensstrasse 12

Postcode : D-93055

City/town : Regensburg

Country : Germany

Telephone : +49 941 790 6699

Telefax : +49 941 790 136699

E-mail : dagmar.kolar@siemens.com

Date of order : 2004 04 03

References : Mrs. Kolar

**FCC ID: KR55WK47594**

Issue date: 2004-04-16

### 3 Product

Samples of the following apparatus were submitted for testing:

Type of equipment	: Inductive system (Tire Pressure Monitoring System, TPMS)
Trademark	: Siemens VDO
Type designation	: 5WK4 7594
Hardware version	: ---
Serial number	: ---
Software release	: ---
Power used	: 12.00 VDC
Frequency used	: 125 kHz
Generated or used frequencies	: 16.00MHz / 315.00MHz
ITU emission class	: 1H00 NON
<b>FCC ID</b>	<b>: KR55WK47594</b>

### 4 Test schedule

Tests were carried out in accordance with the specifications detailed in chapter 7 "Summary" of this report.

Tests were carried out at:

**- m. dudde hochfrequenz - technik, D-51429 Bergisch Gladbach**

The test sample was received on:

**- 2004-04-03**

The tests were carried out in the following period of time:

**- 2004-04-13 to 2004-04-16**

**FCC ID: KR55WK47594**

Issue date: 2004-04-16

## 5 Product and measurement documentation

For issuing this report the following product documentation was used and the following annexes were created:

<b>Description:</b>	<b>Date:</b>	<b>Identifications:</b>
External photographs of the Equipment Under Test (EUT)		Annex no. 1
Internal photographs of the Equipment Under Test (EUT)		Annex no. 2
Occupied bandwidth plot		Annex no. 3
Label sample		Annex no. 4
Technical description		Annex no. 5
Test setup photos		Annex no. 6
Block diagram		Annex no. 7
Schematics		Annex no. 8

The above mentioned documentation will be filed at m. dudde hochfrequenz - technik for a period of 10 years following the issue of this test report.

## 6 Observations and comments

## 7 Summary

The product is intended for the use in the following areas of application:  
Radio- Noise Emissions from Low- Voltage Electrical and Electronic Equipment  
in the frequency range 9 kHz to 40 GHz

The samples were tested according to the following specification:

47 CFR Part 15C – Intentional Radiators, ANSI C63.4 - 1992

**FCC ID: KR55WK47594**

Issue date: 2004-04-16

## 8 Conclusions

Samples of the apparatus were found to **CONFORM WITH** the specifications stated in chapter 7 "Summary" of this report.

In the opinion of m. dudde hochfrequenz - technik, the samples satisfied all applicable requirements relating to the network interface types specified in chapter 7 "Summary".

The results of the type tests as stated in this report are exclusively applicable to the product item as identified in this report. m. dudde hochfrequenz - technik does not accept any responsibility for the results stated in this report, with respect to the properties of product items not involved in these tests.

This report consists of a main module, modules with test results and annexes listed in chapter 5: "Product documentation". All pages have been numbered consecutively and bear the m. dudde hochfrequenz - technik logo, the report number and sub numbers.  
The total number of pages in this report is **22**.

### Tester:

Date : 2004-04-16

Name : Ralf Trepper

Signature : 

### Technical responsibility for area of testing:

Date : 2004-04-16

Name : Manfred Dudde

Signature : 

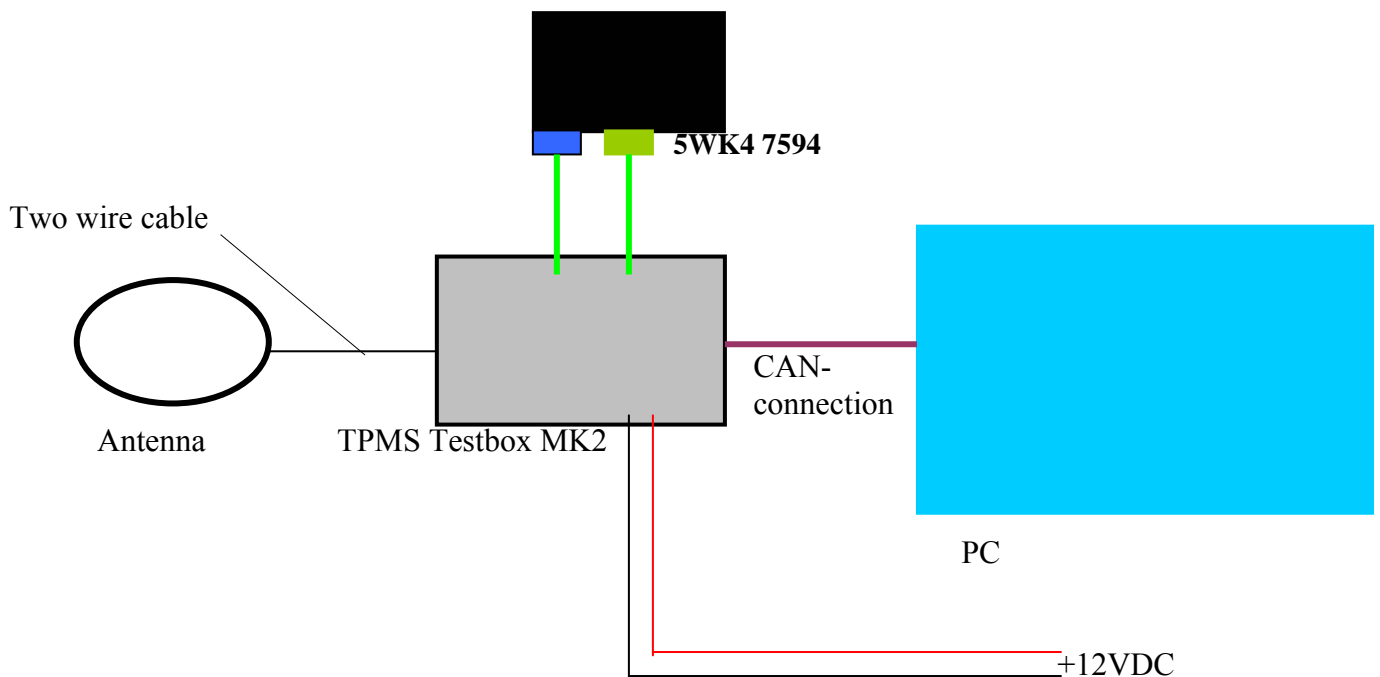


## 9 Operation description

### 9.1 EUT details

Inductive System, "Tire Pressure Monitoring System - ECU "

### 9.2 EUT configuration



*See here through Annex 1 : Photo of configuration*

### 9.3 EUT measurement description

The **TPMS 5WK4 7594** was tested in a typical fashion. During primary emission tests there had been examined all orthogonal adjustments of the EUT. In the final measurement there was chosen the adjustment in which there had been established before the highest level.

**FCC ID: KR55WK47594**

Issue date: 2004-04-16

## 10.1 Antenna Requirement

### 10.1.1 Regulation

15.203 An intentional radiator shall be designed to ensure that no antenna other than that furnished by the responsible party shall be used with the device. The use of a permanently attached antenna or of an antenna that uses a unique coupling to the intentional radiator shall be considered sufficient to comply with the provisions of Part 15C. The manufacturer may design the unit so that the user can replace a broken antenna, but the use of a standard antenna jack or electrical connector is prohibited. This requirement does not apply to carrier current devices or to devices operated under the provisions of Sections 15.211, 15.213, 15.217, 15.219, or 15.221. Further, this requirement does not apply to intentional radiators that must be professionally installed, such as perimeter protection systems and some field disturbance sensors, or to other intentional radiators which, in accordance with Section 15.31 (d), must be measured at the installation site. However, the installer shall be responsible for ensuring that the proper antenna is employed so that the limits in this Part are not exceeded.

### 10.1.2 Result

The equipment meets the requirements	<b>yes</b>	<del>no</del>	<del>n.a.</del>
--------------------------------------	------------	---------------	-----------------

Further test results are attached	<del>yes</del>	<b>no</b>	page no:
-----------------------------------	----------------	-----------	----------

n.a<sup>x</sup> see page no. 21

**FCC ID: KR55WK47594**

Issue date: 2004-04-16

## 10.2 Radiated emission

### 10.2.1 Regulation

Test Requirement: FCC CFR47, Part 15B Test Procedure: ANSI C63.4:1992

15.109(a) Except for Class A digital devices, the field strength of radiated emissions from unintentional radiators at a distance of 3 meters shall not exceed the following values:

Frequency (MHz)	Field Strength (microvolts/meter)	Measurements distance (meters)
30 - 88	100	3
88 - 216	150	3
216 - 960	200	3
Above 960	500	3

(c) In the emission tables above, the tighter limits applies at the band edges. Section 15.33 and 15.35 which specify the frequency range over which radiated emissions are to be measured and the detector functions and other measurement standards apply.

(f) For a receiver which employs terminals for the connection of an external receiving antenna, the receiver shall be tested to demonstrate compliance with the provisions of this Section with an antenna connected to the antenna terminals unless the antenna conducted power is measured as specified in Section 15.111(a). If a permanently attached receiving antenna is used, the receiver shall be tested to demonstrate compliance with the provisions of this Section.

Test Requirement: FCC CFR47, Part 15C Test Procedure: ANSI C63.4:1992

Section 15.209 (a) Except as provided elsewhere in this subpart, the emissions from an intentional radiator shall not exceed the field strength levels specified in the following table:

Frequency (MHz)	Field strength (microvolts/meter)	Measurement distance (meters)
0.009-0.490	2400/F(kHz)	300
0.490-1.705	24000/F(kHz)	30
1.705-30.0	30	30
30-88	100	3
88-216	150	3
216-960	200	3
Above 960	500	3

(b) In the emission table above, the tighter limit applies at the band edges.

**FCC ID: KR55WK47594**

Issue date: 2004-04-16

(c) The level of any unwanted emissions from an intentional radiator operating under these general provisions shall not exceed the level of the fundamental emission. For intentional radiators which operate under the provisions of other sections within this part and which are required to reduce their unwanted emissions to the limits specified in this table, the limits in this table are based on the frequency of the unwanted emission and not the fundamental frequency. However, the level of any unwanted emissions shall not exceed the level of the fundamental frequency.

(d) The emission limits shown in the above table are based on measurements employing a CISPR quasi peak detector except for the frequency bands 9-90 kHz, 110-490 kHz and above 1000 MHz. Radiated emission limits in these three bands are based on measurements employing an average detector.

(e) The provisions in §§ 15.31, 15.33, and 15.35 for measuring emissions at distances other than the distances specified in the above table, determining the frequency range over which radiated emissions are to be measured, and limiting peak emissions apply to all devices operated under this part.

(f) In accordance with Section 15.33(a), in some cases the emissions from an intentional radiator must be measured to beyond the tenth harmonic of the highest fundamental frequency designed to be emitted by the intentional radiator because of the incorporation of a digital device. If measurements above the tenth harmonic are so required, the radiated emissions above the tenth harmonic shall comply with the general radiated emission limits applicable to the incorporated digital device, as shown in Section 15.109 and as based on the frequency of the emission being measured, or, except for emissions contained in the restricted frequency bands shown in Section 15.205, the limit on spurious emissions specified for the intentional radiator, whichever is the higher limit. Emissions which must be measured above the tenth harmonic of the highest fundamental frequency designed to be emitted by the intentional radiator and which fall within the restricted bands shall comply with the general radiated emission limits in Section 15.109 that are applicable to the incorporated digital device.

### 10.2.2 Test equipment

Type	Manufacturer/ Model no.	Serial no.	Last calibration	Next calibration
Receiver (9 kHz –26.5 GHz)	Hewlett Packard Spectrum Analyzer 8593E (171)	3528U00990	2004/02	2006/02
Pre-amplifier (100kHz - 1.3GHz)	Hewlett Packard 8447 E (166a)	1726A00705	2002/04	2006/04
Bilog antenna (30- 1000 MHz)	CHASE CBL611A (167)	1517	2002/04	2008/04
Horn antenna (0,86-8,5 GHz)	Schwarzbeck BBHA 9120 A (284)	236	1998/01	2008/01

**FCC ID: KR55WK47594**

Issue date: 2004-04-16

### 10.2.3 Test procedures

The EUT and this peripheral (when additional equipment exist) are placed on a turn table which is 0.8 m above the ground. The turn table would be allowed to rotate 360 degrees to determine the position of the maximum emission level. The test distance between the EUT and the receiving antenna are 3m. To find the maximum emission, the polarization of the receiving antenna is changed in horizontal and vertical polarization, the position of the EUT was changed in different orthogonal determinations.

ANSI C63.4: 1992 Section 8 “Radiated Emissions Testing”

Radiated emissions test characteristics	
Frequency range	30 MHz - 4,000 MHz
Test distance	3 m*
Test instrumentation resolution bandwidth	120 kHz (30 MHz - 1,000 MHz)
	1 MHz (1000 MHz - 4,000 MHz)
Receive antenna scan height	1 m - 4 m
Receive antenna polarization	Vertical/horizontal

\* According to Section 15.31 (f)(1): At frequencies at or above 30 MHz, measurements may be performed at a distance other than what is specified provided: measurements are not made in the near field except where it can be shown that near field measurements are appropriate due to the characteristics of the device; and it can be demonstrated that the signal levels needed to be measured at the distance employed can be detected by the measurement equipment. When performing measurements at a distance other than that specified, the results shall be extrapolated to the specified distance using an extrapolation factor of 20 dB/decade (inverse linear-distance for field strength measurements; inverse-linear-distance-squared for power density measurements).

---

**FCC ID: KR55WK47594**

Issue date: 2004-04-16

#### 10.2.4 Calculation of field strength Section 15.209 below 30 MHz

The Receiver reading gives not directly the field strength result in (dB $\mu$ V/m). The antenna factors of the loop antenna and cable losses must be added to find the correct result.

For frequencies below 30 MHz and for an test distance other than what is specified, but fulfilling the requirements of Section 15.31 (f) (2) the field strength is calculated by adding additionally an extrapolation factor of 40 dB/decade (inverse linear distance for field strength measurements).

The field strength is calculated by the following calculation:

Corrected Level = Receiver Level + Correction Factor

Corrected Level = Receiver Level + Correction Factor – Pre-amplifier (with the use of an Pre-amplifier)

Receiver Level : Receiver reading without correction factors

Correction Factor : Loop Antenna factor + cable loss

$$FS = 40.7 - 40 = 0.7 \text{ [dB}\mu\text{V/m]}$$

Level in  $\mu$ V/m Common Antilogarithm  $(0.7/20) = 1.1$

#### 10.2.5 Calculation of field strength Section 15.209 above 30 MHz

The field strength is calculated by the following calculation:

Corrected Level = Receiver Level + Correction Factor (without the use of an Pre-amplifier)

Corrected Level = Receiver Level + Correction Factor – Pre-amplifier (with the use of an Pre-amplifier)

Receiver Level : Receiver reading without correction factors

Correction Factor : Antenna factor + cable loss

For test distance other than what is specified, but fulfilling the requirements of Section 15.31 (f)(1) the field strength is calculated by adding additionally an extrapolation factor of 20 dB/decade (inverse linear distance for field strength measurements).

---

**FCC ID: KR55WK47594**

Issue date: 2004-04-16

### 10.2.6 Calculation of the field strength

The field strength is calculated by the following calculation:

Corrected Level = Receiver Level + Correction Factor (without the use of an Pre-amplifier)

Corrected Level = Receiver Level + Correction Factor – Pre-amplifier (with the use of an Pre-amplifier)

Receiver Level : Receiver reading without correction factors

Correction Factor : Antenna factor + cable loss

For example:

The receiver reading is 32.7 dB $\mu$ V. The antenna factor for the measured frequency is +2.5 dB(1/m) and the cable factor for the measured frequency is 0.71 dB, giving a field strength of 35.91dB $\mu$ V/m.

The 35.91dB $\mu$ V/m value can be mathematically converted to its corresponding level in  $\mu$ V/m.

Level in  $\mu$ V/m = Common Antilogarithm (35.91/20) = 39.8

For test distance other than what is specified, but fulfilling the requirements of Section 15.31 (f)(1) the field strength is calculated by adding additionally an extrapolation factor of 20 dB/decade (inverse linear distance for field strength measurements).

### 10.2.7 Calculation of Average Correction Factor

The average correction factor is computed by analyzing the "worst case" on time in any 100msec time period and using the formula: Corrections Factor + 20\*Log (worst case on time/100msec) Analysis of the remote transmitter worst case on time in any 100msec time period is an on time of 50msec, there for the correction factor is 20\*Log(50/100) = - 6 dB. The maximum correction factor to be applied is 20 dB per section 15.35 of the FCC rules.

FCC ID: KR55WK47594

Issue date: 2004-04-16

TRANSMITTER SPURIOUS RADIATION BELOW 30 MHz (Section 15.109)									
f (MHz)	Bandwidth (kHz), Type of detector	Noted receiver level dBµV	Test distance m	Correction factor dB	Distance extrapol. factor dB	Level corrected dBµV/m	Limit dBµV/m	Margin dBµV/m	Polarisation EUT / antenna orientation
0.1200	PK/0.2kHz	< 4.0	10	20.2	-59.1	-34.90	Pk46.0- @ 300	80.90	V, H/0-360°
	AV/0.2kHz	< 4.0	10	20.2	-59.1	-34.90	AV26.0 @ 300	80.90	V, H/0-360°
0.5000	AV/0.2kHz	< 4.0	10	20.2	-19.1	5.10	AV33.6 @ 30	28.5	V, H/0-360°
1.5000	AV/0.2kHz	< 4.0	10	20.2	-19.1	5.10	AV24.1 @ 30	19.00	V, H/0-360°
3.0000	AV/9.0kHz	< 4.0	10	20.2	-19.1	5.10	AV29.5 @ 30	24.4	V, H/0-360°
5.0000	AV/9.0kHz	< 4.0	10	20.2	-19.1	5.10	AV29.5 @ 30	24.4	V, H/0-360°
8.0000	AV/9.0kHz	< 4.0	10	20.2	-19.1	5.10	AV29.5 @ 30	24.4	V, H/0-360°
10.0000	AV/9.0kHz	< 4.0	10	20.2	-19.1	5.10	AV29.5 @ 30	24.4	V, H/0-360°
20.0000	AV/9.0kHz	< 4.0	10	20.2	-19.1	5.10	AV29.5 @ 30	24.4	V, H/0-360°
30.0000	AV/9.0kHz	< 4.0	10	20.2	-19.1	5.10	AV29.5 @ 30	24.4	V, H/0-360°
No emissions detected									
Measurement uncertainty			4 dB						

Remark: \*<sup>1</sup> Noise level of the measuring instrument ≤ 4.0dBµV @ 10m distance (0.009 MHz –30 MHz)  
 Remark: \* Peak Limit according to Section 15.35 (b).

The equipment meets the requirements	yes	<del>no</del>	<del>n.a.</del>
--------------------------------------	-----	---------------	-----------------

Further test results are attached	yes	no	page no:
-----------------------------------	-----	----	----------

n.a<sup>x</sup> see page no. 21



FCC ID: KR55WK47594

Issue date: 2004-04-16

**TRANSMITTER SPURIOUS RADIATION ABOVE 30 MHz (Section 15.109)**

f (MHz)	Bandwidth (kHz)/Type of detector	Noted receiver level dB $\mu$ V	Test distance m	Correction factor dB	Distance extrapol. factor dB	AV Correction factor dB	Level corrected dB $\mu$ V/m	Limit dB $\mu$ V/m	Margin dB $\mu$ V/m	Polaris. EUT / antenna	Antenna height cm
30.0000	100, AV	$\leq 3.5$	3	-2.60	0	0	0.90	40.00	39.10	H,V/H,V	100-400
88.0000	100, AV	$\leq 3.5$	3	-10.80	0	0	-7.30	40.00	47.30	H,V/H,V	100-400
216.0000	100, AV	$\leq 3.5$	3	-10.30	0	0	-6.80	43.50	50.30	H,V/H,V	100-400
960.0000	100, AV	$\leq 3.5$	3	8.50	0	0	12.00	43.50	31.50	H,V/H,V	100-400
1700.0000	1000, AV	$\leq 4.5$	3	3.80	0	0	8.30	54.00	45.70	H,V/H,V	100-400
2250.0000	1000, AV	$\leq 10$	3	8.00	0	0	18.00	54.00	36.00	H,V/H,V	100-400
4000.0000	1000, AV	$\leq 10$	3	8.40* <sup>6</sup>	0	0	18.40	54.00	35.60	H,V/H,V	100-400
5000.0000	1000, AV	$\leq 10$	3	9.10* <sup>6</sup>	0	0	19.40	54.00	34.60	H,V/H,V	100-400
7500.0000	1000, AV	$\leq 14$	3	12.9* <sup>6</sup> <sub>0</sub>	0	0	26.90	54.00	27.10	H,V/H,V	100-400
8300.0000	1000, AV	$\leq 14$	3	14.80* <sup>6</sup>	0	0	28.80	54.00	25.20	H,V/H,V	100-400
9400.0000	1000, AV	$\leq 14$	3	16.00* <sup>6</sup>	0	0	30.00	54.00	24.00	H,V/H,V	100-400
11000.0000	1000, AV	$\leq 14$	3	18.25* <sup>6</sup>	0	0	32.25	54.00	21.75	H,V/H,V	100-400
Measurement uncertainty			4 dB								

\* Bandwidth = the measuring receiver bandwidth

- Remark: \*<sup>1</sup> noise floor noise level of the measuring instrument  $\leq 3.5$  dB $\mu$ V @ 3m distance (30 – 1,000 MHz)
- Remark: \*<sup>2</sup> noise floor noise level of the measuring instrument  $\leq 4.5$  dB $\mu$ V @ 3m distance (1,000 – 2,000 MHz)
- Remark: \*<sup>3</sup> noise floor noise level of the measuring instrument  $\leq 10$  dB $\mu$ V @ 3m distance (2,000 – 5,500 MHz)
- Remark: \*<sup>4</sup> noise floor noise level of the measuring instrument  $\leq 14$  dB $\mu$ V @ 3m distance (5,500 – 14,500 MHz)
- Remark: \*<sup>5</sup> for using a pre-amplifier in the range between 100 kHz and 1,000 MHz
- Remark: \*<sup>6</sup> for using a pre-amplifier in the range between 4.0 GHz and 18.0 GHz

The equipment meets the requirements	yes	no	n.a.
--------------------------------------	-----	----	------

Further test results are attached	yes	no	page no:
-----------------------------------	-----	----	----------

n.a<sup>x</sup> see page no. 21

**FCC ID: KR55WK47594**

Issue date: 2004-04-16

INTENTIONAL RADIATOR SPURIOUS RADIATION (Section 15.209(a))									
f (MHz)	Bandwidth (kHz), Type of detector	Noted receiver level dBµV	Test distance m	Correction factor dB	Distance extrapol. factor dB	Level corrected dBµV/m	Limit dBµV/m	Margin dBµV/m	Polarisation EUT / antenna orientation
0.12498	PK/0.2kHz	47.45	10	20.2	-59.1	8.55	Pk29.2- @ 300	20.65	V / 0°
	AV/0.2kHz	47.06	10	20.2	-59.1	8.16	AV19.2 @ 300	11.04	V / 0°
0.24996	AV/0.2kHz	13.19	10	20.2	-59.1	-25.71	AV9.6 @ 300	35.31	V / 0°
0.37494	AV/0.2kHz	14.13	10	20.2	-59.1	-24.77	AV6.4 @ 300	31.17	V / 0°
0.49992	AV/9.0kHz	< 4.0	10	20.2	-19.1	< 5.1	AV48.0 @ 30	42.90	V, H/0-360°
0.62490	AV/9.0kHz	< 4.0	10	20.2	-19.1	< 5.1	AV38.4 @ 30	33.30	V, H/0-360°
0.74988	AV/9.0kHz	< 4.0	10	20.2	-19.1	< 5.1	AV32.0 @ 30	26.90	V, H/0-360°
0.87486	AV/9.0kHz	< 4.0	10	20.2	-19.1	< 5.1	AV27.4 @ 30	22.30	V, H/0-360°
0.99984	AV/9.0kHz	< 4.0	10	20.2	-19.1	< 5.1	AV24.0 @ 30	18.90	V, H/0-360°
1.12482	AV/9.0kHz	< 4.0	10	20.2	-19.1	< 5.1	AV21.3 @ 30	16.20	V, H/0-360°
1.24980	AV/9.0kHz	< 4.0	10	20.2	-19.1	< 5.1	AV19.2 @ 30	14.10	V, H/0-360°
Measurement uncertainty			4 dB						

- Remark: \*<sup>1</sup> noise floor noise level of the measuring instrument ≤ 6.5dBµV @ 3m distance (30 – 1,000 MHz)
- Remark: \*<sup>2</sup> noise floor noise level of the measuring instrument ≤ 10 dBµV @ 3m distance (1,000 – 2,000 MHz)
- Remark: \*<sup>3</sup> noise floor noise level of the measuring instrument ≤ 17 dBµV @ 3m distance (2,000 – 5,500 MHz)
- Remark: \*<sup>4</sup> for using a pre-amplifier in the range between 100 kHz and 1,000 MHz

The equipment meets the requirements	yes	no	n.a.
--------------------------------------	-----	----	------

Further test results are attached	yes	no	page no:
-----------------------------------	-----	----	----------

n.a<sup>x</sup> see page no. 21

**FCC ID: KR55WK47594**

Issue date: 2004-04-16

### 10.3 Conducted emissions

#### 10.3.1 Regulation

Section 15.107 (a) For an intentional radiator which is designed to be connected to the public utility (AC) power line, the radio frequency voltage that is conducted back onto the AC power line on any frequency or frequencies within the band 150 kHz to 30 MHz shall not exceed the limits in the following table, as measured using a 50µH/50ohms line stabilization network (LISN). Compliance with this provision shall be based on the measurement of the radio frequency voltage between each power line and ground at the power terminals. The lower limit applies at the band edges.

Section 15.107 (d) Measurements to demonstrate compliance with the conducted limits are not required for devices which only employ battery power for operation and which do not operate from the AC power lines or contain provisions for operation while connected to the AC power lines. Devices that include, or make provision for, the use of battery chargers which permit operating while charging, AC adaptors or battery eliminators or connected to the AC power lines indirectly, obtaining their power through another device which is connected to the AC power lines, shall be tested to demonstrate compliance with the conducted limits.

#### 10.3.2 Test equipment

Type	Manufacturer/ Model no.	Serial no.	Last calibration	Next calibration	Remarks
Receiver (9 kHz - 30MHz)	Rhode & Schwarz ESH2 (22)	882902/007	01 / 04	01 / 06	---
Protector limiter 9 kHz - 30MHz, 10 dB	Rhode & Schwarz ESH 3Z2 (272)	357,881052	01 / 04	01 / 06	---
V-LISN 50 ohms/(50 uH+5 ohms)	RFT NNB 11 (72)	13835240	08 / 02	01 / 05	---
V-LISN 50 ohms/(50 uH+5 ohms)	Dudde (73)	---	08 / 02	01 / 05	---

#### 10.3.3 Test procedures

The EUT and the additional equipment (if required) are connected to the main power through a line impedance stabilization network (LISN). The LISN must be appropriate to ANSI C63.4: 1992 Section 7. Additional equipment must also be connected to a second LISN with the same specifications described in the above sentence (if required).

FCC ID: KR55WK47594

Issue date: 2004-04-16

10.3.4 Test results

TRANSMITTER CONDUCTED EMISSIONS (Section 15.207)						
Tested line	Emission frequency [MHz]	Receiver bandwidth [kHz]	Result Quasi-peak [dBμV]	Spec Limit Average [dBμV]	Margin [dB]	Remarks
L1	0.160	10	≤-2	55.8	57.8	* <sup>1</sup>
N	0.160	10	≤-2	55.8	57.8	* <sup>1</sup>
L1	0.304	10	≤-2	51.7	53.7	* <sup>1</sup>
N	0.304	10	≤-2	51.7	53.7	* <sup>1</sup>
L1	0.475	10	≤-2	47	49	* <sup>1</sup>
N	0.475	10	≤-2	47	49	* <sup>1</sup>
L1	0.600	10	≤-2	46	48	* <sup>1</sup>
N	0.600	10	≤-2	46	48	* <sup>1</sup>
L1	0.725	10	≤-2	46	48	* <sup>1</sup>
N	0.725	10	≤-2	46	48	* <sup>1</sup>
L1	0.850	10	≤-2	46	48	* <sup>1</sup>
N	0.850	10	≤-2	46	48	* <sup>1</sup>
L1	1.000	10	≤-2	46	48	* <sup>1</sup>
N	1.000	10	≤-2	46	48	* <sup>1</sup>
L1	1.125	10	≤-2	46	48	* <sup>1</sup>
N	1.125	10	≤-2	46	48	* <sup>1</sup>
L1	2.000	10	≤-2	46	48	* <sup>1</sup>
N	2.000	10	≤-2	46	48	* <sup>1</sup>
L1	4.000	10	≤-2	46	48	* <sup>1</sup>
N	4.000	10	≤-2	46	48	* <sup>1</sup>
L1	6.7644	10	≤-2	50	52	* <sup>1</sup>
N	6.7644	10	≤-2	50	52	* <sup>1</sup>
L1	13.5288	10	≤-2	50	52	* <sup>1</sup>
N	13.5288	10	≤-2	50	52	* <sup>1</sup>
L1	20.2931	10	≤-2	50	52	* <sup>1</sup>
N	20.2931	10	≤-2	50	52	* <sup>1</sup>
L1	27.0575	10	≤-2	50	52	* <sup>1</sup>
N	27.0575	10	≤-2	50	52	* <sup>1</sup>

Remark: \*<sup>1</sup> Noise level of the measuring instrument ≤ -2 dBμV (0.150 – 30MHz)

The equipment meets the requirements	yes	no	n.a. <sup>2</sup>
--------------------------------------	-----	----	-------------------

Further test results are attached	yes	no	page no:
-----------------------------------	-----	----	----------

**Conducted emissions measurements to demonstrate compliance with the conducted limits are not required because the EUT is only battery powered.**

---

**FCC ID: KR55WK47594**

Issue date: 2004-04-16

## 11 Additional information to this test report

### Remarks

- |                   |   |
|-------------------|---|
| n.a. <sup>1</sup> | not applicable, because antenna is part of the PCB      |
| n.a. <sup>2</sup> | not applicable, because EUT is directly battery powered |

---

**FCC ID: KR55WK47594**

Issue date: 2004-04-16

## End of test report