



12/3/08

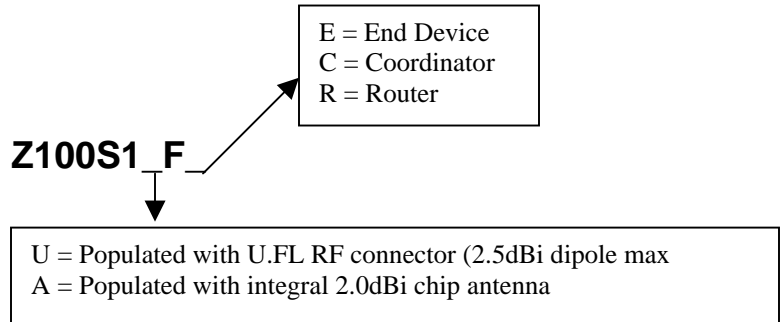
Subject: Cover letter describing Model Z100S1 family of transceivers

FCC ID: KQL-Z100S1XFX

IC: 2268C-Z100S1XF

Model Numbers in Family:

**Z100S1AFR
Z100S1AFC
Z100S1AFE
Z100S1UFR
Z100S1UFC
Z100S1UFE**



Aerocomm's Z100S1 family of 2.4Ghz Zigbee transceivers is made up of 6 different model numbers. The hardware platform for the Z100S1 family has the option for either an integral chip antenna or a U.FL RF connector. Three different types of firmware options are also available. Either Coordinator, Router, or End Device firmware is programmed at the factory.

The family will be referred to as Z100S1 in all FCC and IC documentation!