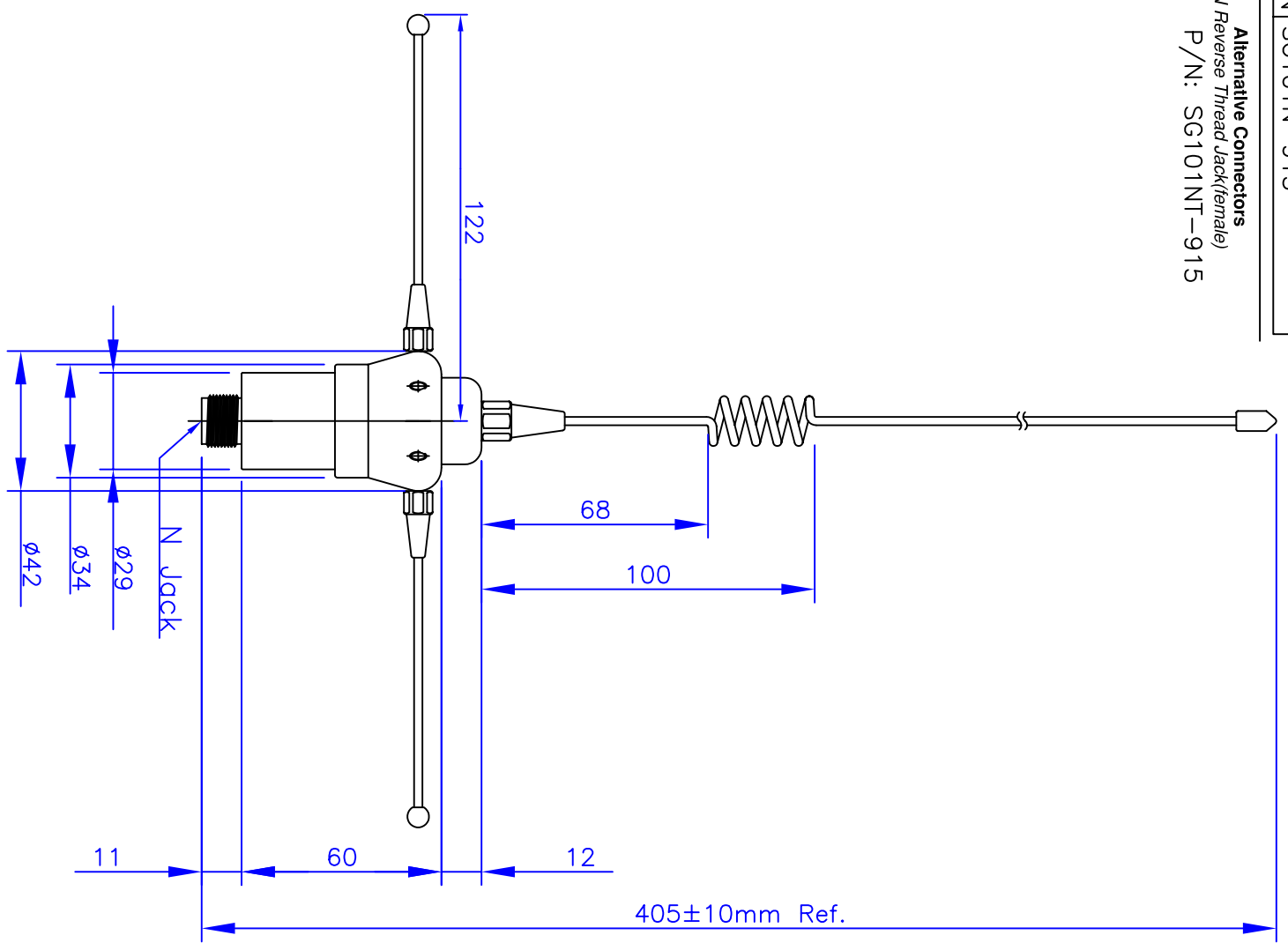


P/N SG101N-915

Alternative Connectors  
 N Reverse Thread Jack(Female)  
 P/N: SG101NT-915



Electrical Properties:

- Operation Frequency: 902MHz ~ 928MHz
  - Impedance: 50 ohms nominal
  - Gain: 5dBi\*
  - VSWR: < 2.0
  - Radiation: Omni
  - Polarization: Vertical
- \*Gain is measured without cable

Mechanical Properties:

- Antenna: Base Station Outdoors Application
  - Antenna Whip Length: 16 in. (405±10mm).
  - Connector: N Female connector
  - Mounting base: Zinc Alloy with chrome plated
  - Guided pipe: Aluminum Alloy
  - Mounting hardware included.
- Cable assembly attached in separate drawings upon request.

TITLE	900MHz Omni Directional Antenna		VER
UNIT	DWG. NO.	SG101N-915	1.0
mm			
SCALE	1:2		
<b>NEARSON</b>			
<a href="http://www.nearson.com">http://www.nearson.com</a>			